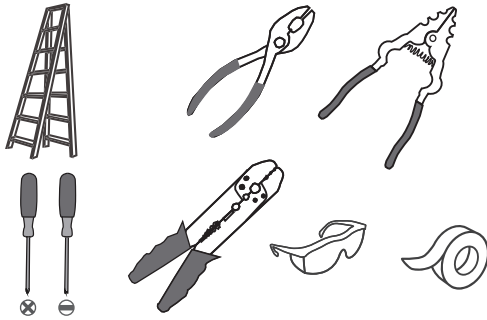
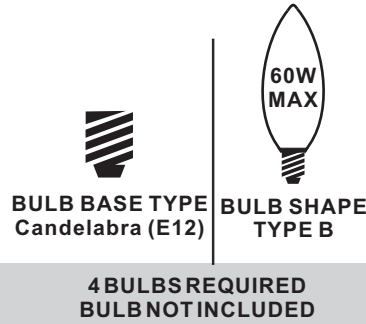


Tools Required



Light Source



**Fixture Height Adjustable
32" to 80"**

⚠ Warnings and Cautions

Turn off the electricity at the circuit breaker before installation. Consult a licensed electrician if in doubt about installation.

Turn off power to the fixture and allow the bulbs to cool before replacing.

Package Contents

Preparation: Identify and inspect all parts before beginning the installation.

Missing or damaged parts? Contact your original place of purchase.

PARTS BAG

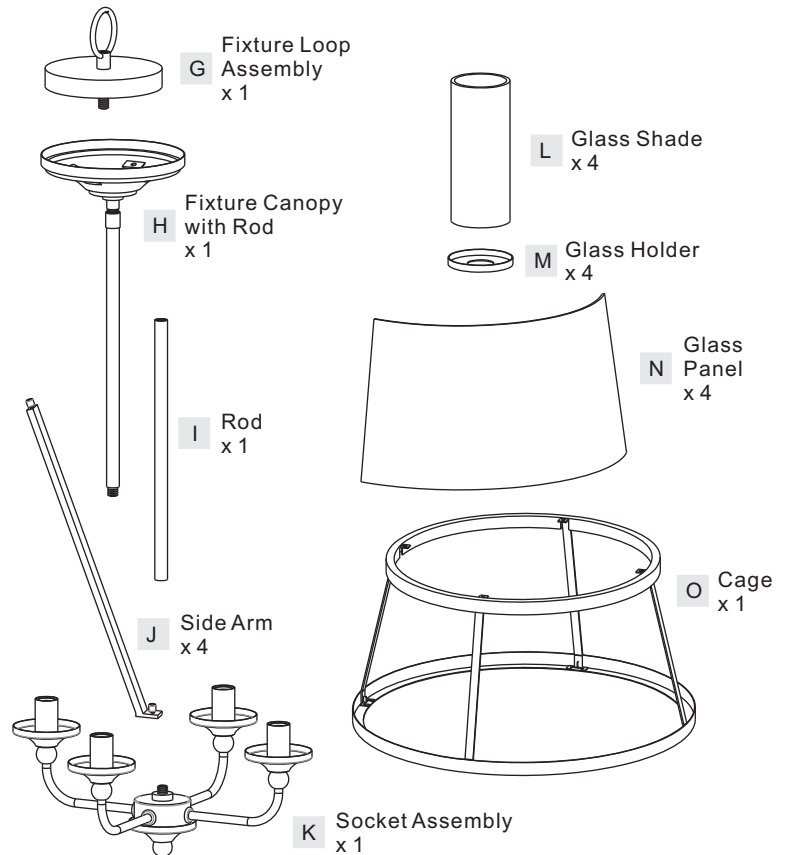
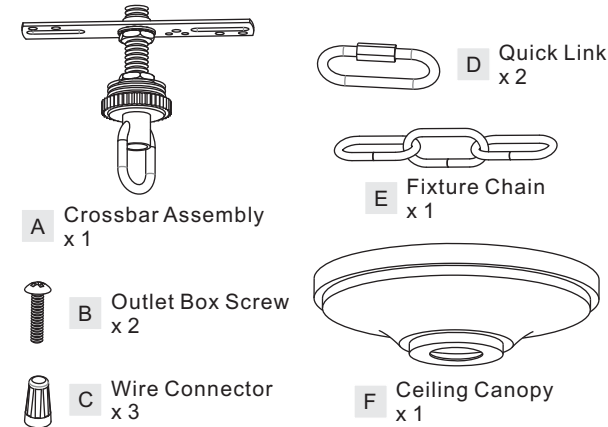
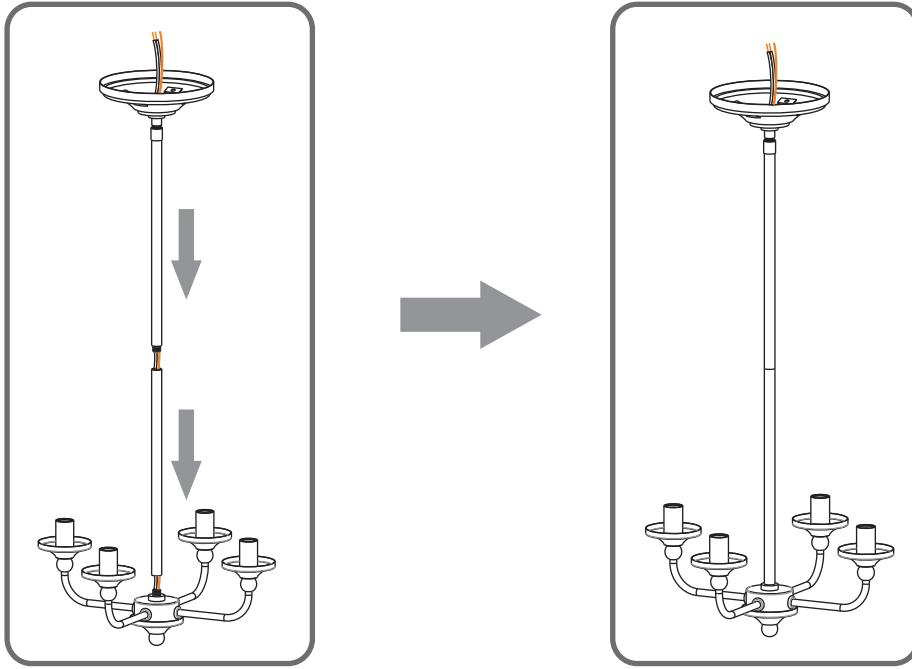


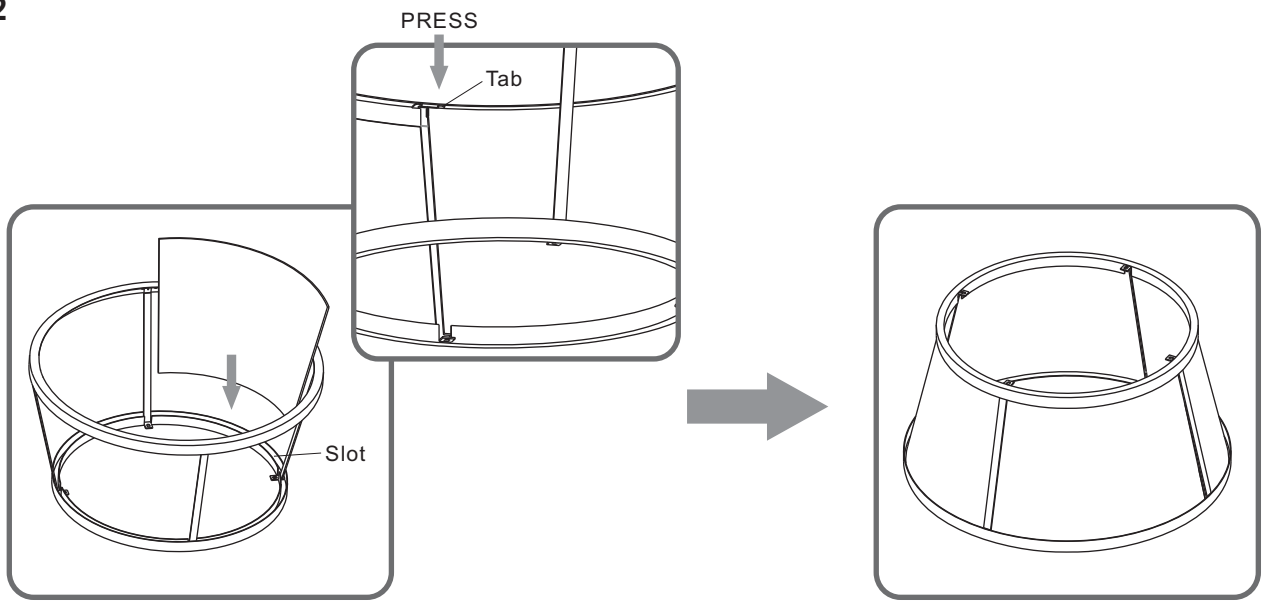
Table of Contents

	Glass Panels	Crossbar Assembly	Wiring	Glass Holders, Bulbs & Shades
<p>Fixture canopy with rod, rod & socket assembly</p> <p>STEP 1</p>	<p>STEP 2</p>	<p>Fixture Loop Assembly & Side Arms</p> <p>STEP 3</p>	<p>STEP 4</p>	<p>STEP 5</p>
<p>STEP 6</p>	<p>STEP 7</p>	<p>STEP 8</p>		

STEP 1



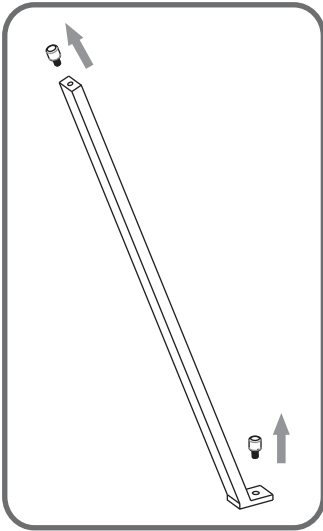
STEP 2



STEP 3

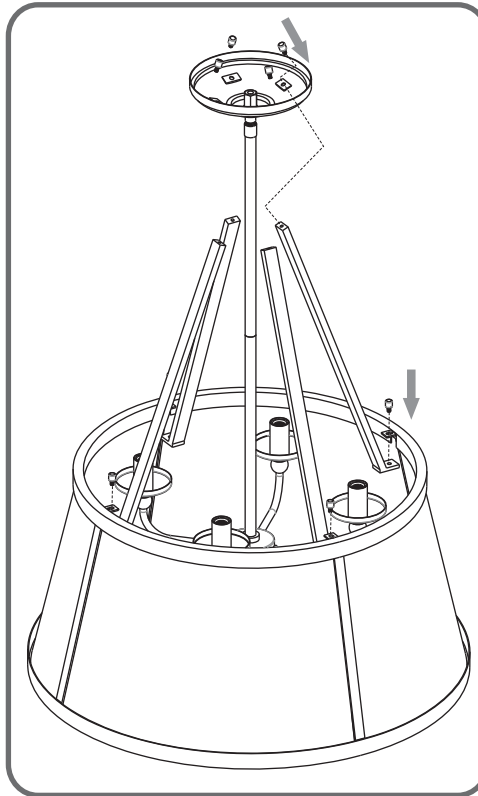
1

Remove lock screws



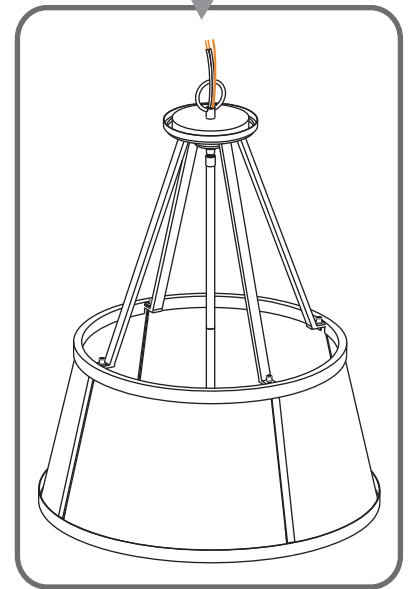
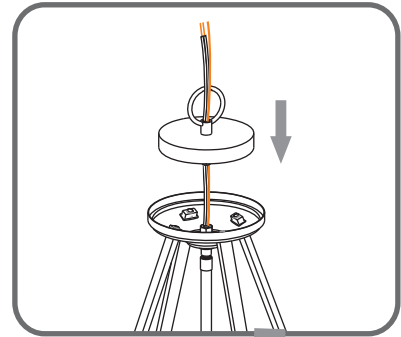
2

Install Side Arms



3

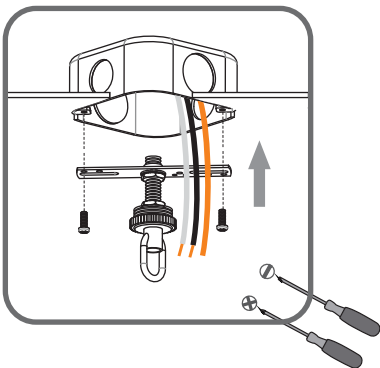
Install Fixture Loop Assembly



STEP 4

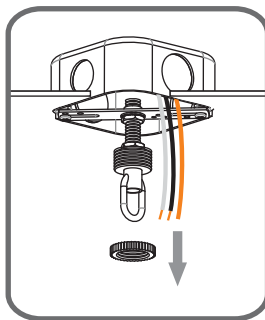
1

Step 1
Install crossbar assembly

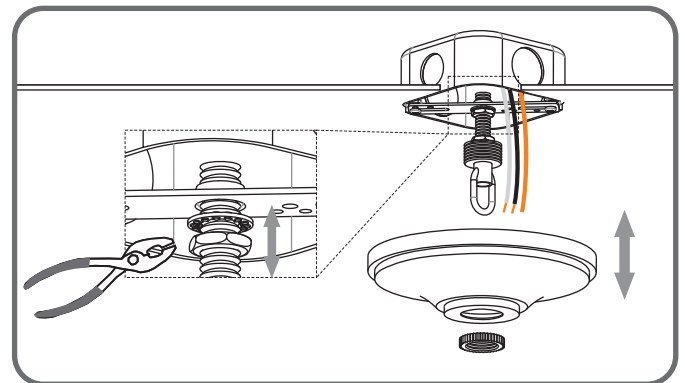


2

Step 2 - 3
Test fitting ceiling canopy to nipple



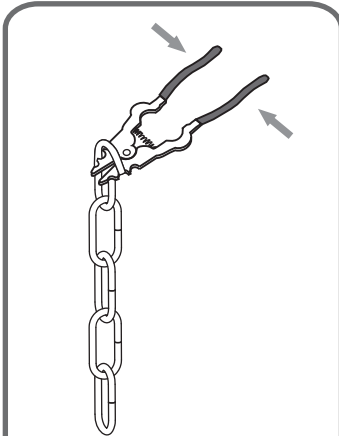
3



STEP 5

1

Step 1
Adjust fixture chain length

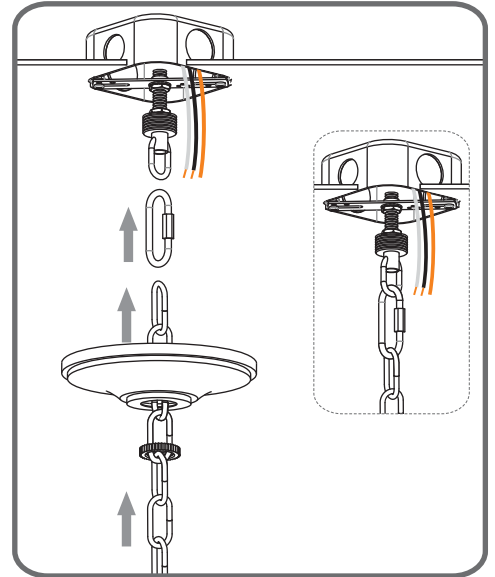
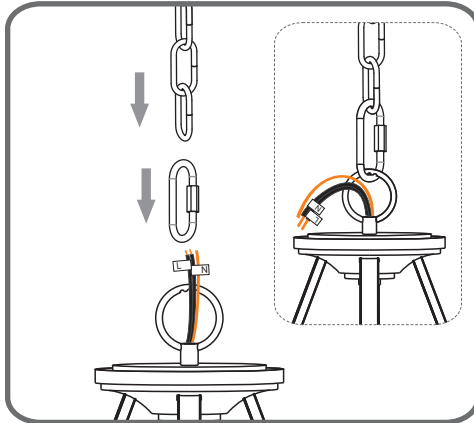


Suggested Chain Length:

- 8' ceiling: 3" Chain
- 9' ceiling: 15" Chain
- 10' ceiling: 27" Chain

2

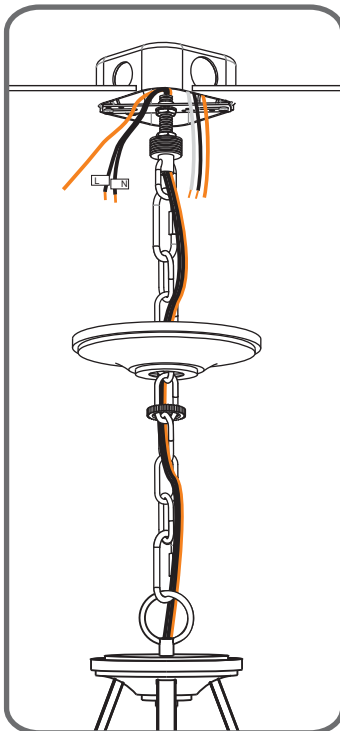
Step 2 - 3
Install Fixture Chain



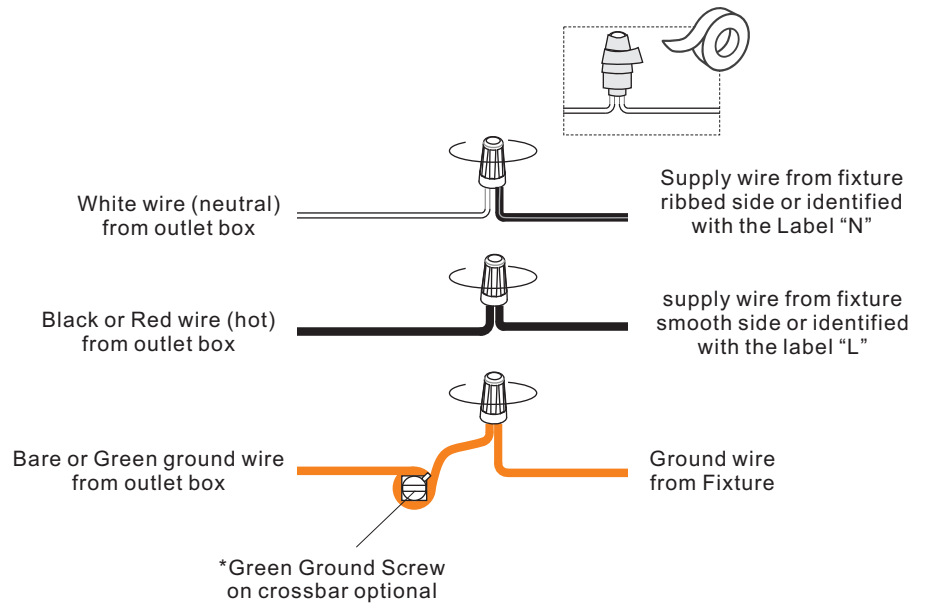
STEP 6

1

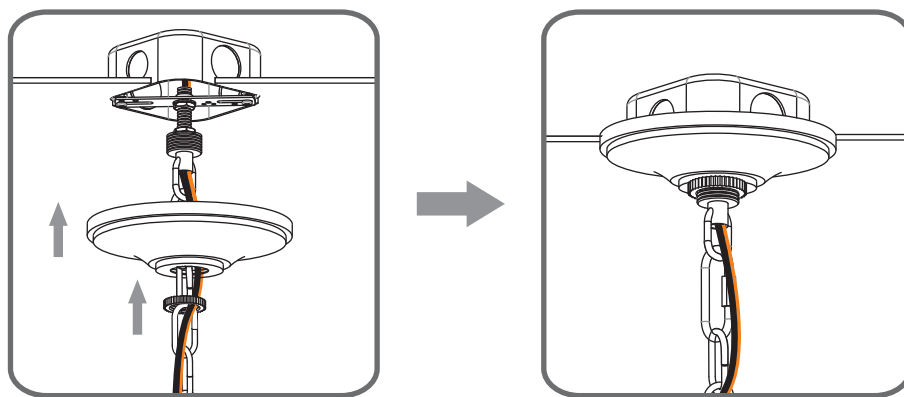
Step 1
Feed the fixture wires through the loop



2



STEP 7



STEP 8

