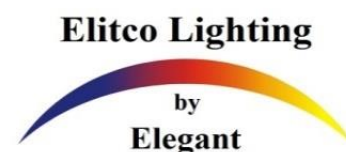


# R40927KRF-4PK

CRI 90 2700K 540 Lumens LED Downlight



Operating at 120 volts, Smooth dimming feature and compatible with a wide variety of dimmers. Almost fit in any recessed applications from residential to commercial.

## Performance

- LED retrofit light is designed to provide 50,000 hours of life
- Energy-saving & Super bright, saving 86% energy compared
- UL compliant, for use in DAMP locations

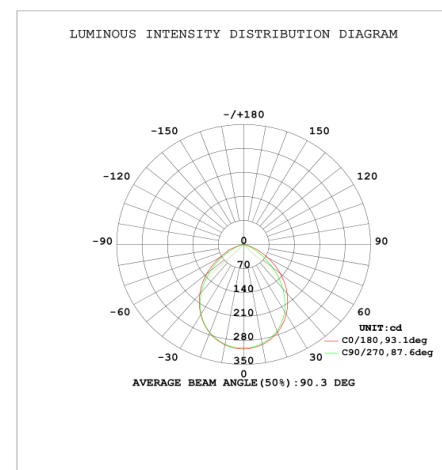
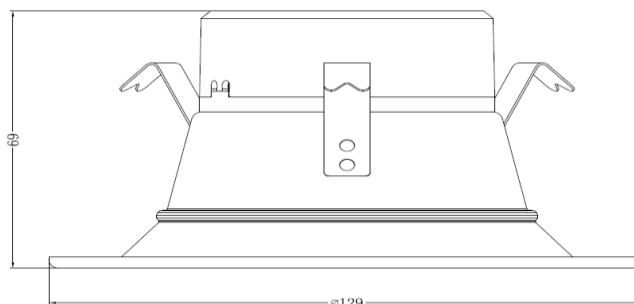


## Construction

- Aluminum

## Installation

- LED Downlight embedded
- Size:  $\Phi 5.07$ "(129mm)\*H2.71"(69mm)



## Specifications

Category	RETROFIT	Individual Box Weight per Unit (LBS)	0.53
Shape	ROUND	Inner Package Length (Inch)	11.57
Bulb Base Type	INTEGRATED LED	Inner Package Width (Inch)	9.64
Bulb Base Finish	N/A	Inner Package Height (Inch)	11.57
Color Temperature	2700K	Inner Package Weight Per Unit (Lbs)	14.74
Beam Angle	100°	Inner Package Quantity	12
Finish	MATTE WHITE	Carton Package Length (Inch)	17.9
CRI	90	Carton Package Width (Inch)	12.99
Average Life (Hours)	50000	Carton Package Height (Inch)	12.44
Estimated Yearly Energy Cost (11¢/Kwh)	1.08	Carton Package Weight Per Unit (Lbs)	19.56
Life Based On 3Hrs/Day (Years)	45.66	Carton Quantity	24
Product Length (Inch)	N/A	Lamp Type	LED DOWNLIGHT
Product Width (Inch)	5.07	Bulb Shape	N/A
Product Height (Inch)	2.71	Dry/Wet/Damp	Wet
Product Extension (Inch)	N/A	Energy Star	yes
Product Weight Per Unit (Lbs)	0.15	Power Factor	0.9
Dimmable	YES	Current	80MA
Watts	9W	Lumen/Watt	60
Watt Equivalent	60	Warranty (Year)	5
Lumens	540	DLC (Yes/No)	N/A
Certification (UL/ETL/FCC)	UL	Input Voltage	120V
Individual Box LENGTH (INCH)	5.39	Housing Material	Aluminum
Individual Box Width (INCH)	2.95	Lens	PC
Individual Box HEIGHT (INCH)	5.39	Led Type	Bridgelux 2835