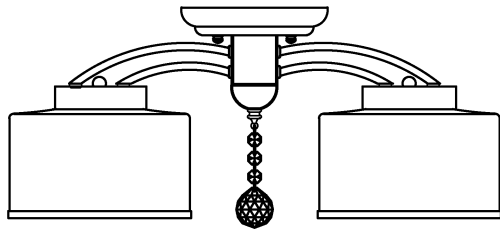


Trade Mark:  
CRYSTAL WORLD INC

Product Name: Ceiling lamp  
Model :5479C24C-3  
120Vac, 60Hz,AC ONLY  
Lamp size:Ø24"XH10"

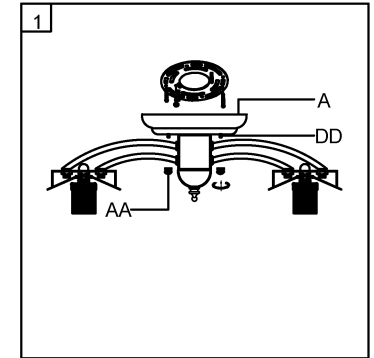


## CEILING LAMP ASSEMBLY INSTRUCTIONS

1. Place fixture(A) onto mounting screws (DD). secure with cap nuts (AA).

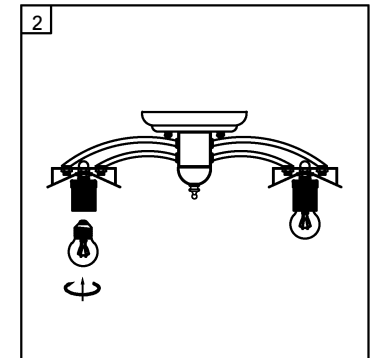
### Hardware Used

- AA Cap nut  X 2  
DD Mounting screw  X 2





2. Install light bulbs ( not included).

Use bulb  **120V E26 3\*60W Max.**



3. Please put the crystal (1) to the fixture .  
Please fix (B) with (A).

- 1  
 14mm\*3PCS  
 40mm\*1PCS  
1PCS

