



SCHONBEK®

**CHANTANT
CH1201N- __ __ H**



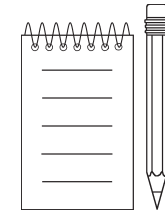
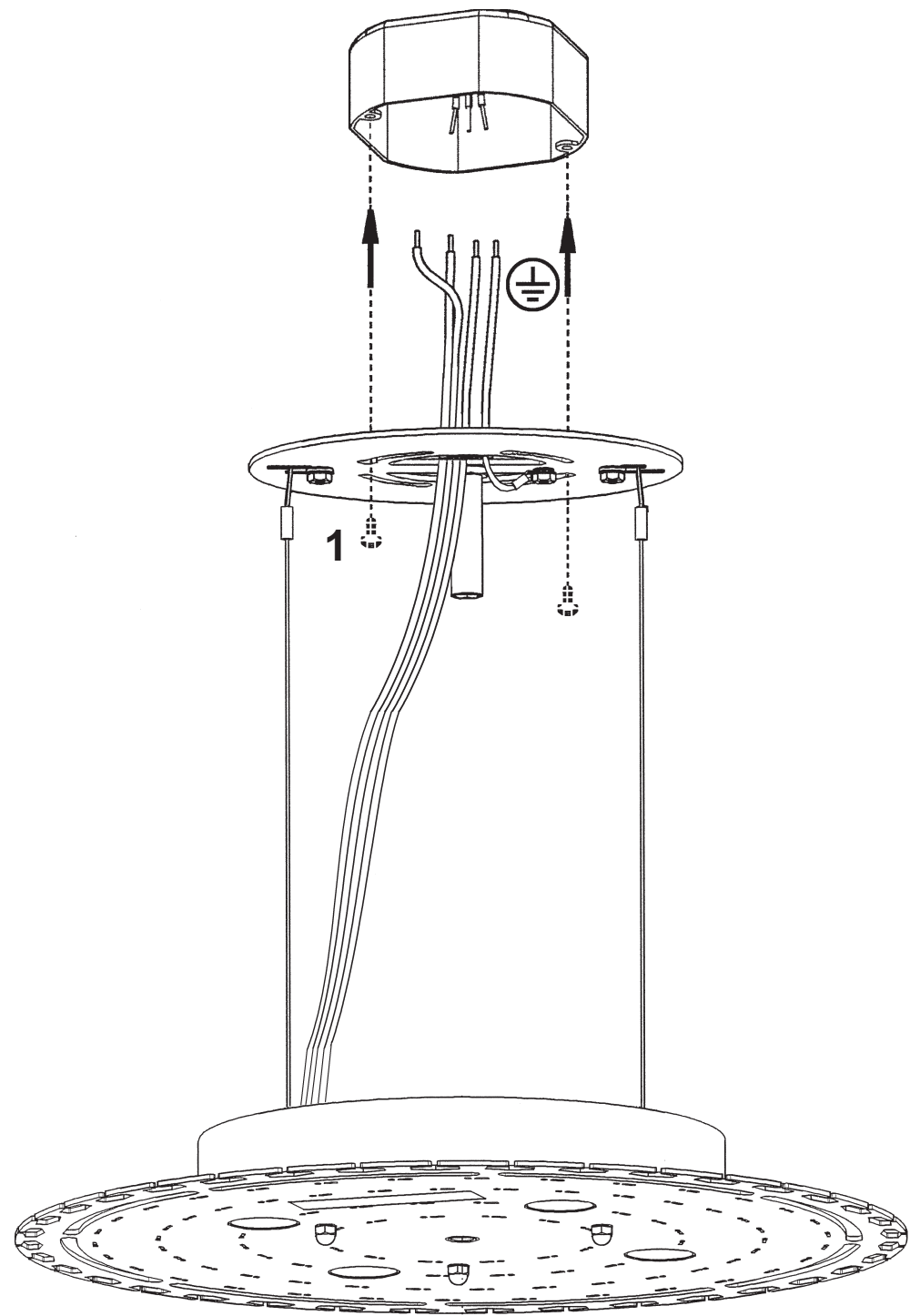
THIS DESIGN IS THE PROPRIETARY
TRADE DRESS/TRADE MARK OF
SWAROVSKI LIGHTING, LTD.

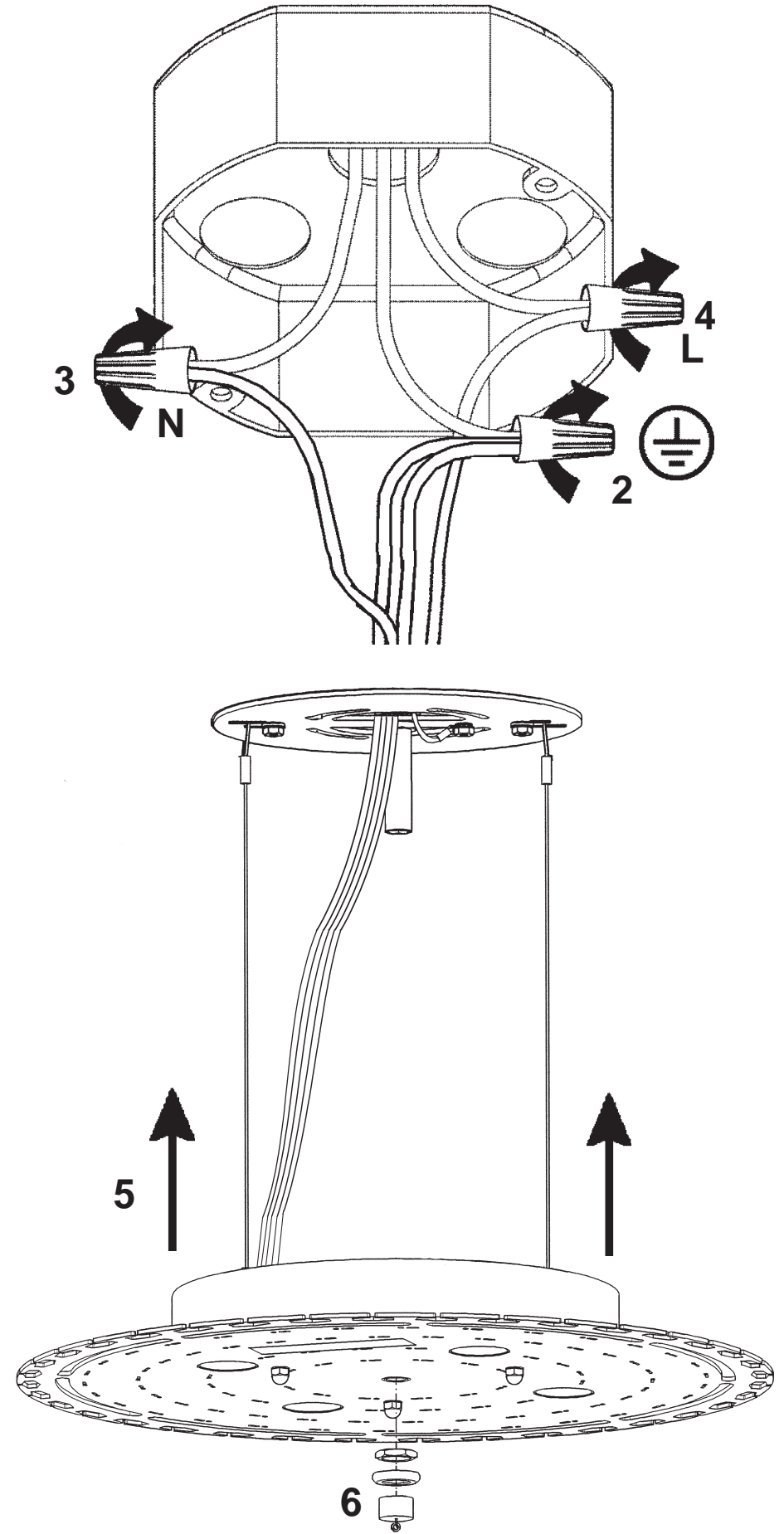
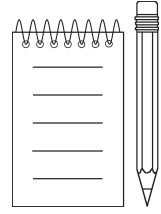
4 Lights
Diameter: 14"
Height: 23-1/2"
Hanging Weight: 12-1/2lbs.

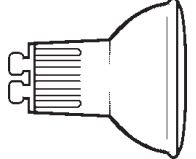



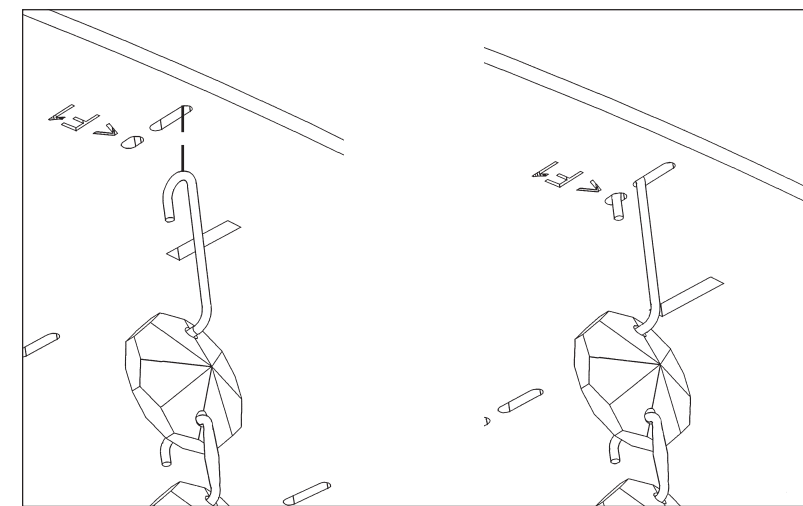
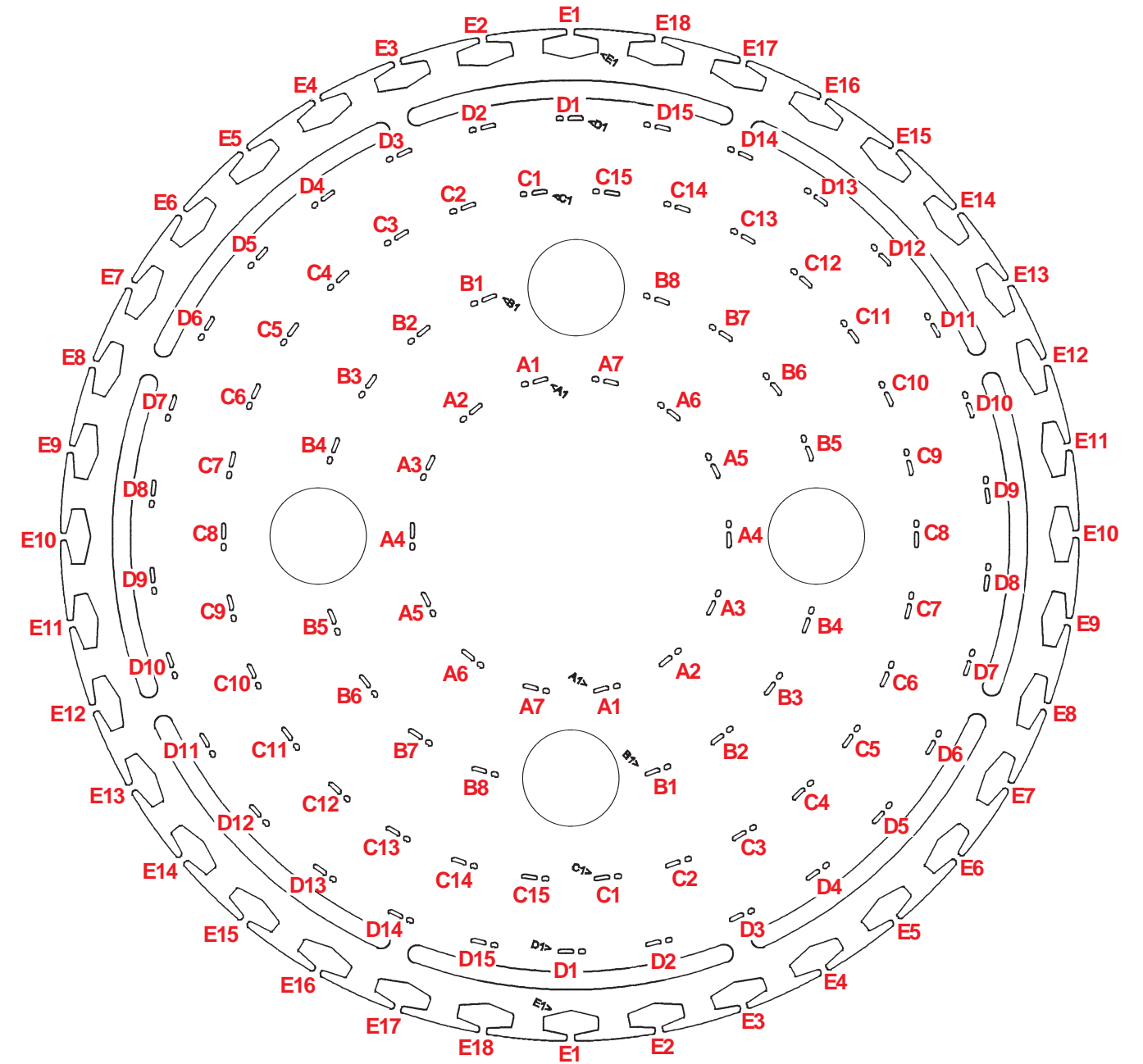
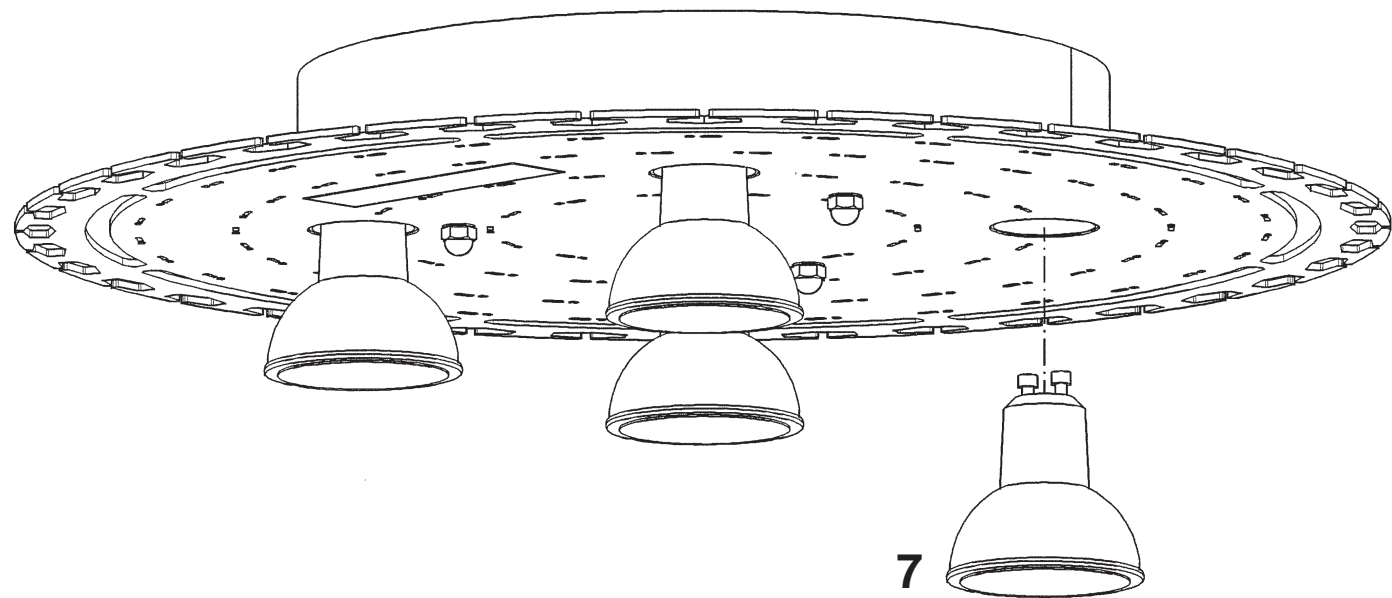
SCHONBEK®

MAX <u>35</u> W		110-120 V						





4 X  : GU10 35W MAX 



- 8** A1 - A7
- 9** B1 - B8
- 10** C1 - C15
- 11** D1 - D15
- 12** E1 - E18

After hanging all trim, remove labels from crystals. If residue remains, wipe off crystal with a soft, dry cloth.