



# CAL LIGHTING

3625 E. Philadelphia St. Ontario CA. 91761 • Tel: 909.947.5200 • Fax:  
909.947.5673 • www.calighting.com • service@calighting.com •  
Specifications subject to change without notice

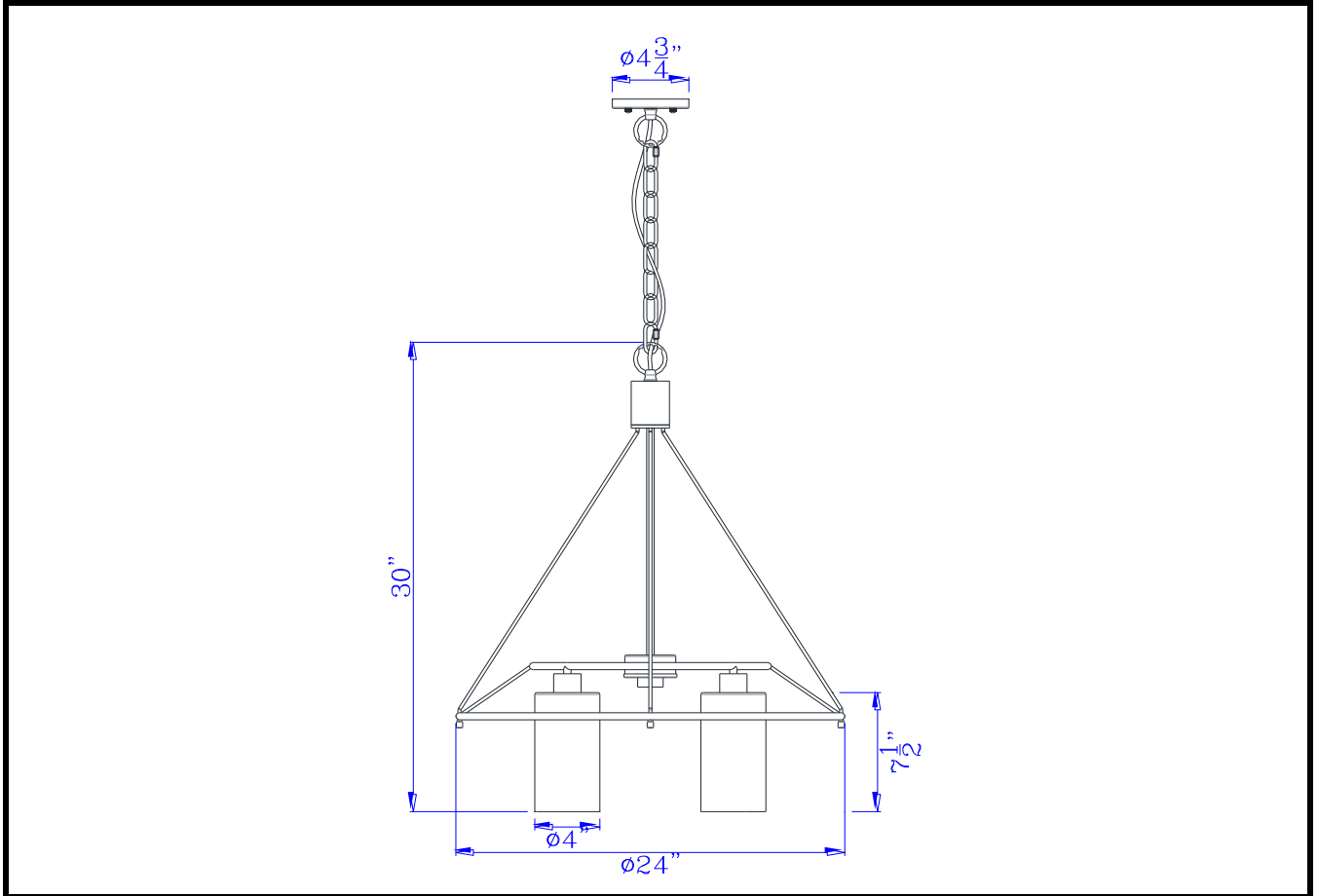
Type: \_\_\_\_\_

Project: \_\_\_\_\_

Catalog No.: \_\_\_\_\_

Lamp/Wattage: \_\_\_\_\_

Drawing:



**Model No:** FX-3653-4  
**Description:** Rexburg Metal Glass Chandelier  
**Material:** Metal  
**Finish :** Antique Brass/Black  
**Height:** 30"  
**Width:** 24"  
**Wattage :** 60W x 4  
**Socket :** Medium Base (E26)  
**Bulb:** Incandescent, CFL  
**Chain Length:** 6'  
**Wire Length:** 10'  
**Wire Color:** Black  
**Shade No:**  
**Material:** Glass  
**Shade size:** 4"x4"x7 1/2"

**Certificate :**

