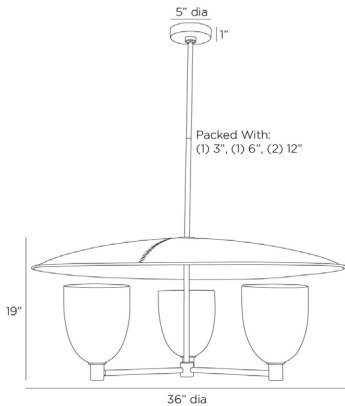


ARTERIOS

ELDRIDGE CHANDELIER



DMI12
 H: 19 IN, Dia: 36.00 IN
 Natural Iron
 Contract Suitable As Is

Clad in a shade of top-stitched taupe leather, the Eldridge offers an impactful mix of materials. Diffusing a flattering up light from a trio of frosted glass shades, this tailored fixture lends a modern lodge effect to any setting. Natural iron frame and canopy. Finish will vary.

APPEARANCE

Material	Glass, Iron, Leather
Finish	Frosted, Taupe
Finish Will Vary	true
Top Coat/Sealant	true

DIMENSIONS

Chandelier	H: 16 IN, Dia: 36.00 IN
Minimum Hanging Height	19 IN
Maximum Hanging Height	38 IN
Canopy	H: 1 IN, Dia: 5.00 IN

WIRING

Rating	Damp
Suggested Bulb Type	G16.5
Cord	10 FT, Black, SVT
Socket	3, Type A - E26
Photographed Bulb	2" Frosted Globe Bulb
Maximum Watt	40
Voltage	110-120 V

COMPLIANCY

RoHS	true
------	------

SHIPPING

Shipping Requirements	TruckShip
Product Weight	34 LBS
Gross Weight 1	67 LBS
Shipping Box 1	H: 37.8 IN, L: 37.8 IN, W: 16.93 IN

REPLACEMENT PARTS

Replacement Part 1	PIPE-589
Replacement Part 1 Dim	(1) 3", (1) 6", (1) 12"
Replacement Part 2	CANOPY-696
Replacement Part 2 Dim	1" x 5"

CONTRACT

Contract Suitable	true
-------------------	------