

ASSEMBLY INSTRUCTIONS

Loire Petite Chandelier

Item # ARN 5453

WE RECOMMEND INSTALLATION OF THIS LIGHTING FIXTURE BE DONE BY A LICENSED ELECTRICIAN.

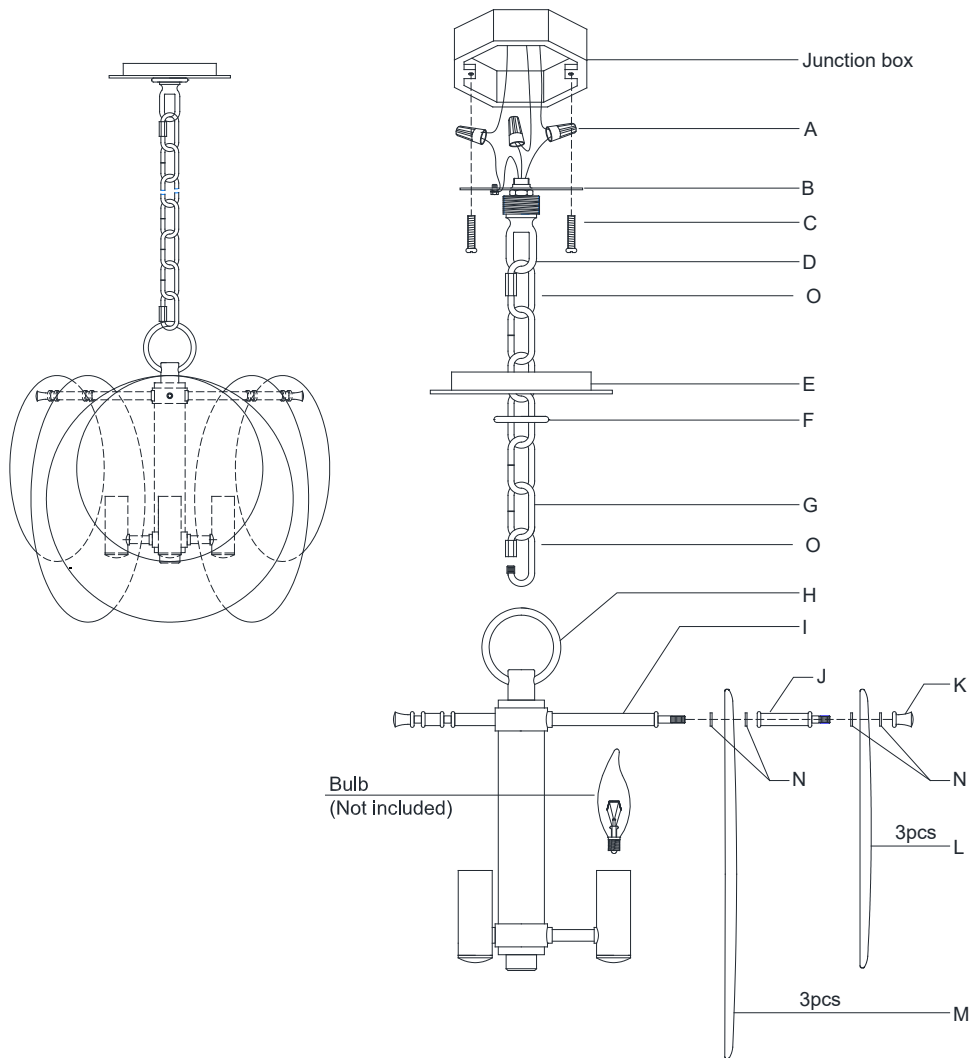
WARNING*SWITCH OFF THE MAIN ELECTRICAL SUPPLY FROM THE MAIN FUSE BOX/CIRCUIT BREAKER BEFORE INSTALLATION.**

INSPECT ITEM CAREFULLY BEFORE ATTEMPTING TO INSTALL. IF THERE IS ANY DAMAGE OR OBVIOUS DEFECT. DO NOT INSTALL.

ITEM MAY NOT BE RETURNED ONCE IT HAS BEEN INSTALLED.

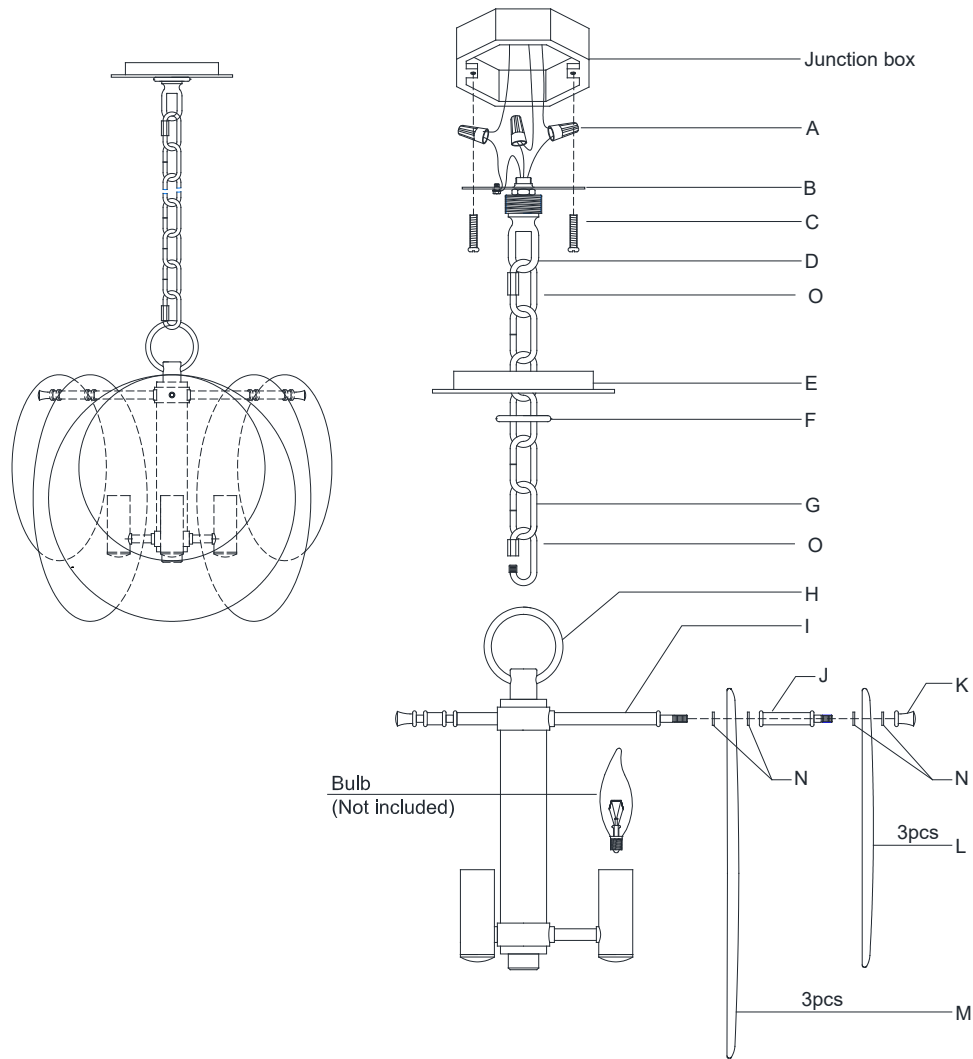
NOTE: CAREFULLY UNPACK EACH PIECE IN TOP LAYER OF PACKING PRIOR TO REMOVING. RETAIN ALL PACKING MATERIAL UNTIL INSPECTION AND INSTALLATION ARE FINAL.

- Carefully remove all parts from the box.
- Secure the mounting plate (B) to the ceiling loop (D) using the provided hex nut and install to the junction box with the mounting screws (C) provided.
- Put the canopy (E) over the ceiling loop (D) and flush to the ceiling, then secure with the collar ring (F). If needed, remove canopy and adjust ceiling loop (D) height with provided hardware.
- With the fixture desired height, shorten the chain (G) as needed using a pair of chain pliers (not included).
- Open the chain quick link (O), then attach the chain quick link (O) to the fixture top loop (H). Secure the chain quick link (O).
- Open the chain quick link (O) from the opposite side then attach to the ceiling loop (D). Secure the chain quick link (O).
- Weave the fixture wires through the chain (G).
- When you reach the canopy and the ceiling loop (D), measure the wires then cut, be certain to leave enough to connect inside of the junction box.
- Strip the insulation back on the fixture wires about 5/8".
- Loosen the collar ring (F) and let the canopy (E) slip down the chain (G) carefully.
- Twist the fixture wires together and push through the center hole of the ceiling loop (D).
- Connect the fixture ground wire to the ground wire in the junction box using the wire nut (A). IT IS IMPERATIVE THAT THIS FIXTURE BE GROUNDED.



VISUAL COMFORT & Co.

ASSEMBLY INSTRUCTIONS



Loire Petite Chandelier

Item # ARN 5453

WE RECOMMEND INSTALLATION OF THIS LIGHTING FIXTURE BE DONE BY A LICENSED ELECTRICIAN.

WARNING*SWITCH OFF THE MAIN ELECTRICAL SUPPLY FROM THE MAIN FUSE BOX/CIRCUIT BREAKER BEFORE INSTALLATION.**

INSPECT ITEM CAREFULLY BEFORE ATTEMPTING TO INSTALL. IF THERE IS ANY DAMAGE OR OBVIOUS DEFECT. DO NOT INSTALL.

ITEM MAY NOT BE RETURNED ONCE IT HAS BEEN INSTALLED.

NOTE: CAREFULLY UNPACK EACH PIECE IN TOP LAYER OF PACKING PRIOR TO REMOVING. RETAIN ALL PACKING MATERIAL UNTIL INSPECTION AND INSTALLATION ARE FINAL.

13. Connect the fixture ribbed wire (no markings) to the neutral wire in the junction box using the wire nut (A).

14. Connect the fixture smooth wire (with markings) to the hot wire in the junction box using the wire nut (A).

DO NOT REVERSE THE HOT AND NEUTRAL CONNECTIONS OR SAFETY WILL BE COMPROMISED.

15. Tuck these wire connections neatly into the junction box carefully.

16. Put the canopy (E) flush to the ceiling, and secure with collar ring (F).

17. Insert bulbs (not included) into the sockets.

18. Attach the rubber washer (N), the large glass panels (M) and rubber washer (N) to the rods (I), then secure with the rods (J).

19. Attach the rubber washer (N), the small glass panels (L) and rubber washer (N) to the rods (J), then secure with the thumbscrews (K).

20. Installation is complete, turn on power at fuse or circuit breaker.

***Clean with a dry, soft cloth only. Use no harsh abrasives or chemical agents.



VISUAL COMFORT & Co.