



# CAL LIGHTING

3625 E. Philadelphia St. Ontario CA. 91761 • Tel: 909.947.5200 • Fax:  
909.947.5673 • www.calighting.com • service@calighting.com •  
Specifications subject to change without notice

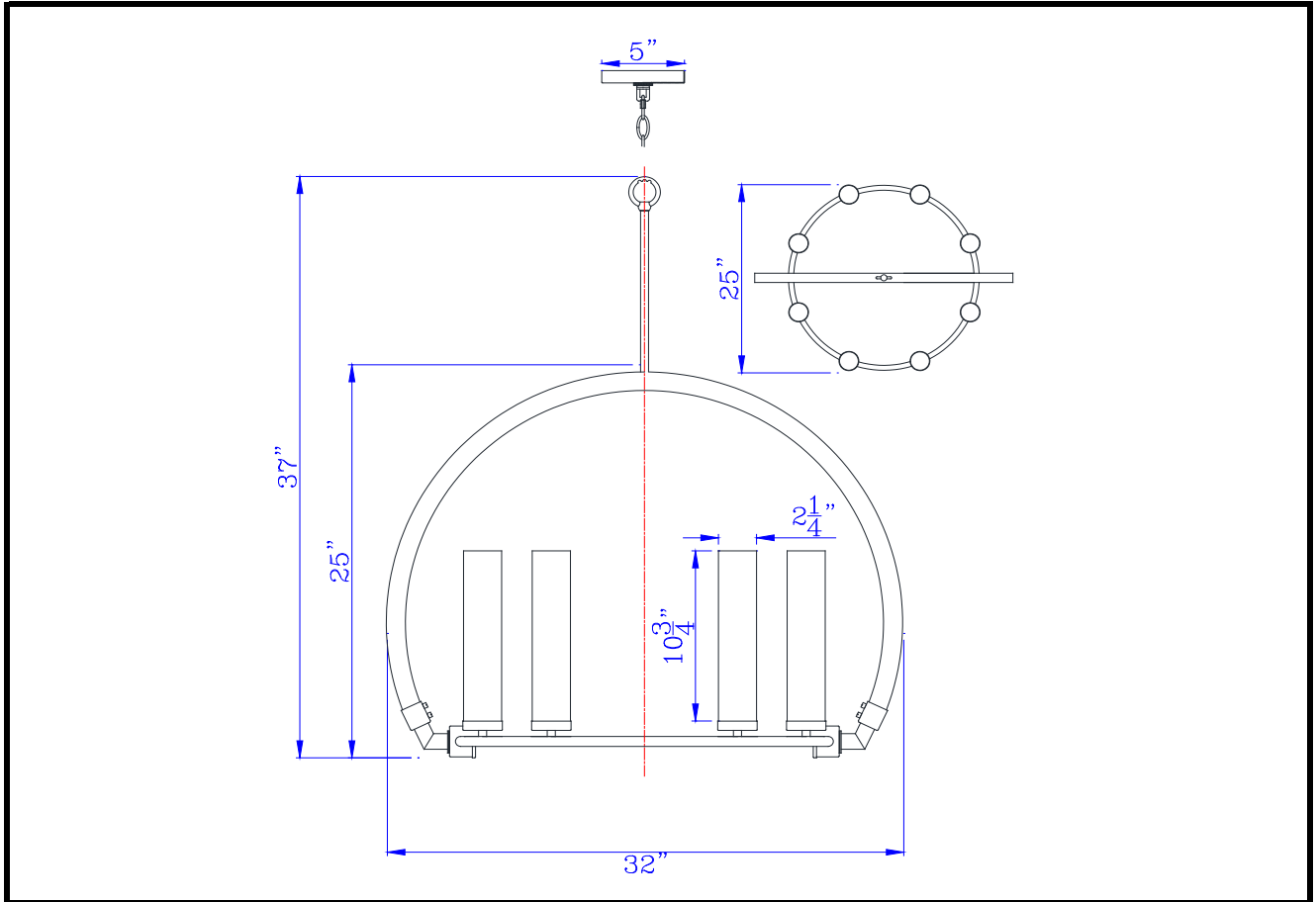
Type: \_\_\_\_\_

Project: \_\_\_\_\_

Catalog No.: \_\_\_\_\_

Lamp/Wattage: \_\_\_\_\_

## Drawing:



- Model No:** FX-3691-8
- Description:** 60W x 8 Sulmona wood/metal chandelier with glass shade (Edison bulbs NOT included)
- Material:** METAL/WOOD
- Finish :** Wood/Iron
- Height:** 37"
- Width:** 32"
- Reach:** 25"
- Wattage :** 60Wx8
- Socket :** Medium Base (E26)
- Bulb:** Incandescent or CFL
- Chain Length:** 6'
- Wire Length:** 10"
- Wire Color:** Brown
- Shade No:** None
- Material:** Glass
- Shade size:** 2 1/4"x 2 1/4"x 10 3/4"

**Certificate :**

