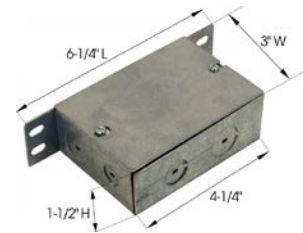




# LC-DIM5A-HW

LED DIMMING SOLUTIONS  
LC-DIM SERIES

Type	
Project	
Catalog No.	



## DESCRIPTION

- Single channel pulse width modulation
- Controllable from industry standard 0-10V controllers
- On/off function with DS-DVTV-WH. Power is turned off at the secondary side. Dims from 10% - 100% with DS-DVTV-WH.

## DIMMING NOTES

Dims down to approximately 10 – 15%. Performance will vary depending on the dimmer, LED product, and installation.

Interference, noise control/reduction, and voltage drop must be taken into consideration when installing this product. Long wire runs can produce a significant drop in the signal level resulting in different light levels by the same control device. Installing high voltage cable near low voltage wiring may cause interference and result in flickering.

It is recommended this product and the power supply be installed as close as possible to the LED fixture(s). Shielded cable should be considered during the installation to reduce interference.

Always install according to NEC.

## COMPATIBILITY

Compatibility testing was not conducted by Jesco Lighting. All testing has been conducted by the respective dimmer control company. Contact the dimming control company for more information.

## SPECIFICATIONS

Input Voltage	12V or 24V DC
Output Voltage	12V or 24V DC (same as input)
Output Power	120W @ 12V DC 240W @ 24V DC
Output Current	10 A
Control Input	0.6 mA
Dimming profile	Linear
Housing*	Galvanized Steel
Protection	5 Amp quick blow fuse
Environment	Dry
Dimensions with tab	6-1/4"L x 3"W x 1-1/2"H
Warranty	5 Years – see published warranty terms for detailed information.

\* With standard conduit knockouts for field wiring

Lutron Recommended Compatible Products					
Product	Model Number	Max LC-DIM5A-HW per Dimmer	Dimming Range		Comments
			DL-FLEX Series	S601 Series	
Grafik Eye	GRX-3504 w/ GRX-TVI-CPN6267	7	2% - 100%	2% - 99%	Low and high end trim required
Energi Savr Node	QSN-4T16-S	7 per zone / 28 per unit	2% - 100%	2% - 99%	Low and high end trim required
Panels	TVM2 Module	7 per unit	3% - 100%	1% - 99%	Low and high end trim required
Notes	Interfaces have been tested with the listed control; any compatible dimmer may be used instead, but high end/low end light levels may vary slightly. For more information or any questions about Lutron products visit <a href="http://www.lutron.com">www.lutron.com</a> .				

Crestron Recommended Compatible Products			
Model Number	Dimming Range	Min – Max Limits	Comments
	DL-FLEX Series	DL-FLEX Series	
DIN-4DIMFLV4	0% - 100%	11% - 87%	Low and high end trim required
DIN-A08	0% - 100%	11% - 87%	Low and high end trim required
GLX-DIMFLV8	0% - 100%	11% - 87%	Low and high end trim required
GLXP-DIMFLV8	0% - 100%	11% - 87%	Low and high end trim required
Notes	The Max number of fixtures is limited by dimmer rating unless otherwise noted. The min – max limit refers to the Crestron Control System Intensity. Operating the dimmer below the Min % level may cause flicker. Operating the dimmer above the Max % may show no additional brightness. For more information or any questions about Crestron products visit <a href="http://www.crestron.com">www.crestron.com</a>		



[www.jescolighting.com](http://www.jescolighting.com)  
support@jescolighting.com  
Tech Support: 855.592.0029

6625 Traffic Ave  
Glendale, NY 11385  
Main Line: 800.527.7796  
Fax Line: 855.265.5768

219 South 6<sup>th</sup> Ave  
City of Industry, CA 91746  
Main Line: 855.654.0110  
Fax Line: 626.333.2955

Rev 5  
10/7/2016

Specifications subject to change without notice.



# LC-DIM5A-HW

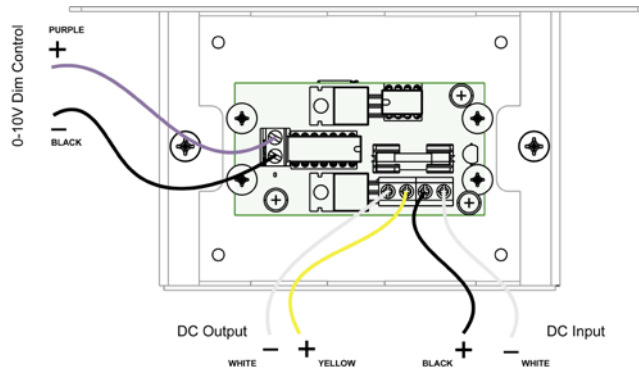
LED DIMMING SOLUTIONS  
LC-DIM SERIES

Type	
Project	
Catalog No.	

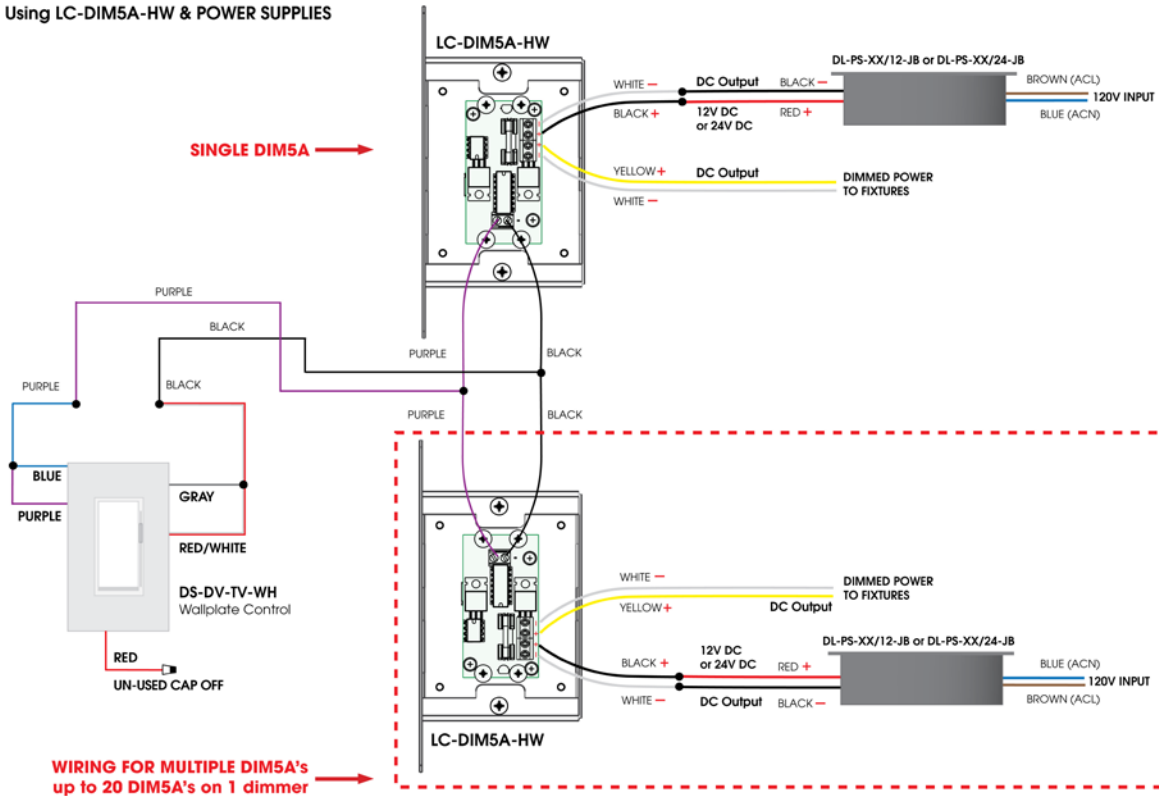
### Electronic Theatre Control Recommended Compatible Products

Model Number	Notes
DRd / D20 / Flo Card	0-10V LED dimmer is used with Jesco power supply (Jesco DL-PS-60/24-HWA) and an LED strip DL-Flex-UP-30. Tested on DRd rack on D20 module set as a 4-wire and a Flo card. Turns on at DMX level 30( 11%), stable while on level, steppy while fading throughout the whole range, steppiness is less noticeable with longer fade time (~15 sec), but still visible on the low end. Tested with a different power supply (Jesco DL-PS-100/24-TB), results are the same. Tested with DL-Flex-UP-HO-30 and DL-Flex-UP-ULTRA-30, results are the same.

**WIRING DIAGRAMS** – See DIMMING NOTES on page 1  
– For reference purposes only. Not for installation. Not to scale.



### WIRING DIAGRAM FOR DS-DV-TV DIMMING Using LC-DIM5A-HW & POWER SUPPLIES



www.jescolighting.com  
support@jescolighting.com  
Tech Support: 855.592.0029

6625 Traffic Ave  
Glendale, NY 11385  
Main Line: 800.527.7796  
Fax Line: 855.265.5768

219 South 6<sup>th</sup> Ave  
City of Industry, CA 91746  
Main Line: 855.654.0110  
Fax Line: 626.333.2955

Rev 5  
10/7/2016

Specifications subject to change without notice.



# LC-DIM5A-HW

LED DIMMING SOLUTIONS  
LC-DIM SERIES

Type	
Project	
Catalog No.	

**WIRING DIAGRAMS** *continued* – See DIMMING NOTES on page 1  
– For reference purposes only. Not for installation. Not to scale.

