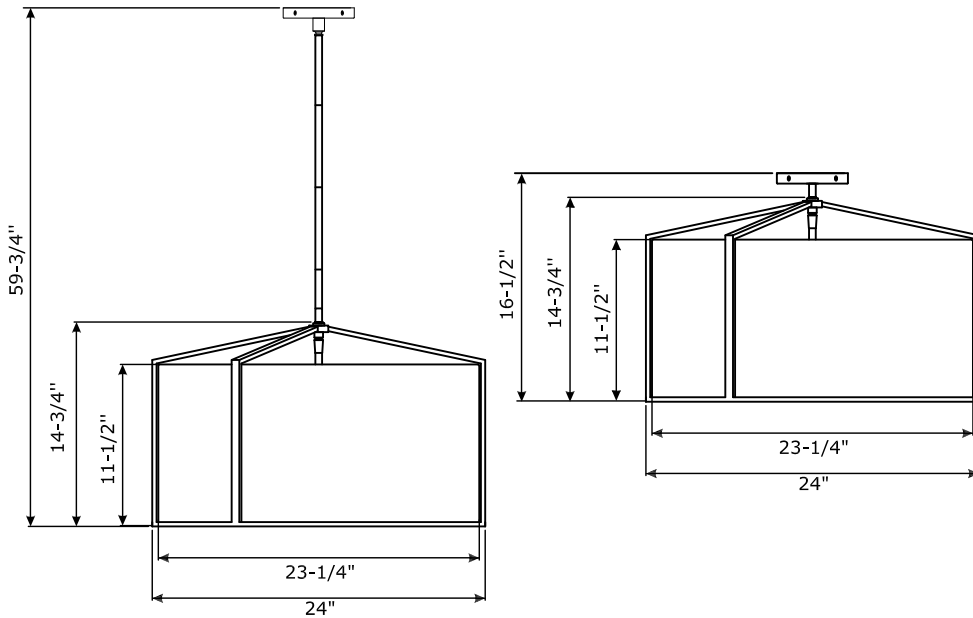


# CRYSTORAMA

LIGHTING THE WAY FOR SIXTY YEARS

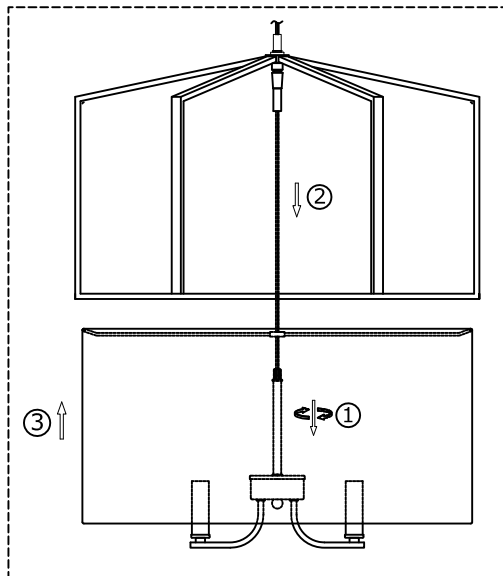
ASSEMBLY INSTRUCTION MODEL# CAR-9206-BK

Drawing (1)

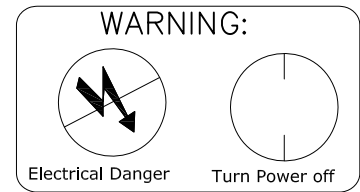


**Shade replacement:**

1. Remove the light cluster out of the swivel .
2. Take the shade and light cluster out of the metal frame.
3. Put the new shade in the frame and attach the top of the light cluster on to the swivel by rotating until tightly secure.



Drawing (3)



All electrical components must be installed by a licensed electrician in accordance with the National Electric Code and the appropriate local electrical codes.



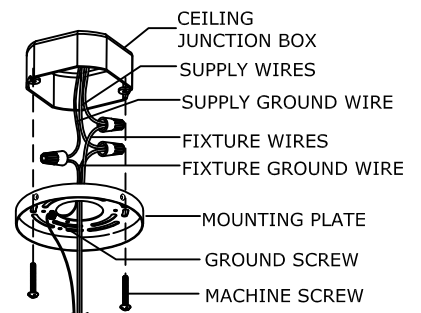
You will need 6- Candelabra  
40 Watts Recommended 60 Watts Max.  
USE LED BULBS FOR EXTENDED USE

THIS FIXTURE IS DRY RATED

**How to install for hanging:**

1. Determine the desired hanging height and choose the correct length of rod.
2. Feed fixture wires through the rod and canopy. Connect the rods together and then screw the canopy onto the top of rods.
3. The canopy of the fixture can now be mounted to the ceiling by following instruction **Drawing 2**.
4. Place the Candle Sleeve over the Socket, then Install the Bulb into the Socket.

Drawing (2)



**WARNING:** This product can expose you to Lead which is known to the state of California to cause cancer and/or birth defects or reproductive harm. For more information go to [www.P65Warnings.ca.gov](http://www.P65Warnings.ca.gov)

# CRYSTORAMA

LIGHTING THE WAY FOR SIXTY YEARS

ASSEMBLY INSTRUCTION MODEL# CAR-9206-BK

## Part Number

### Part Numbers

- A. (1)-Mounting hardware
- B. (1)- Canopy W5"x H3/4"(XFW9201BKCAN5IN)
- C. (3)- Canopy Screw
- D. (3)-Long Rod W1/2"x H12" (XFW9201BKROD12IN)
- E. (1)-Short Rod W1/2"x H6" (XFW9201BKROD6IN)
- F. (1)-Metal Frame
- G. (1)-Shade W23-1/4"xH11-1/2"(XFW9206BKSHA23.25IN)
- H. (6)-Bulbs (Not Included)
- I. (6)-Candle Sleeve W7/8"x H3-1/4"(XFW9206BKCDL3.25IN)

