

# CRYSTORAMA

LIGHTING THE WAY FOR SIXTY YEARS



Crystorama.com

## ASSEMBLY INSTRUCTION MODEL #BOL-8888-PN

### WARNING

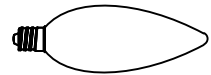


Electrical Danger



Turn Power Off

All electrical components must be installed by a licensed electrician in accordance with the National Electric Code and the appropriate local electrical codes.



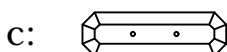
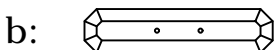
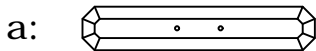
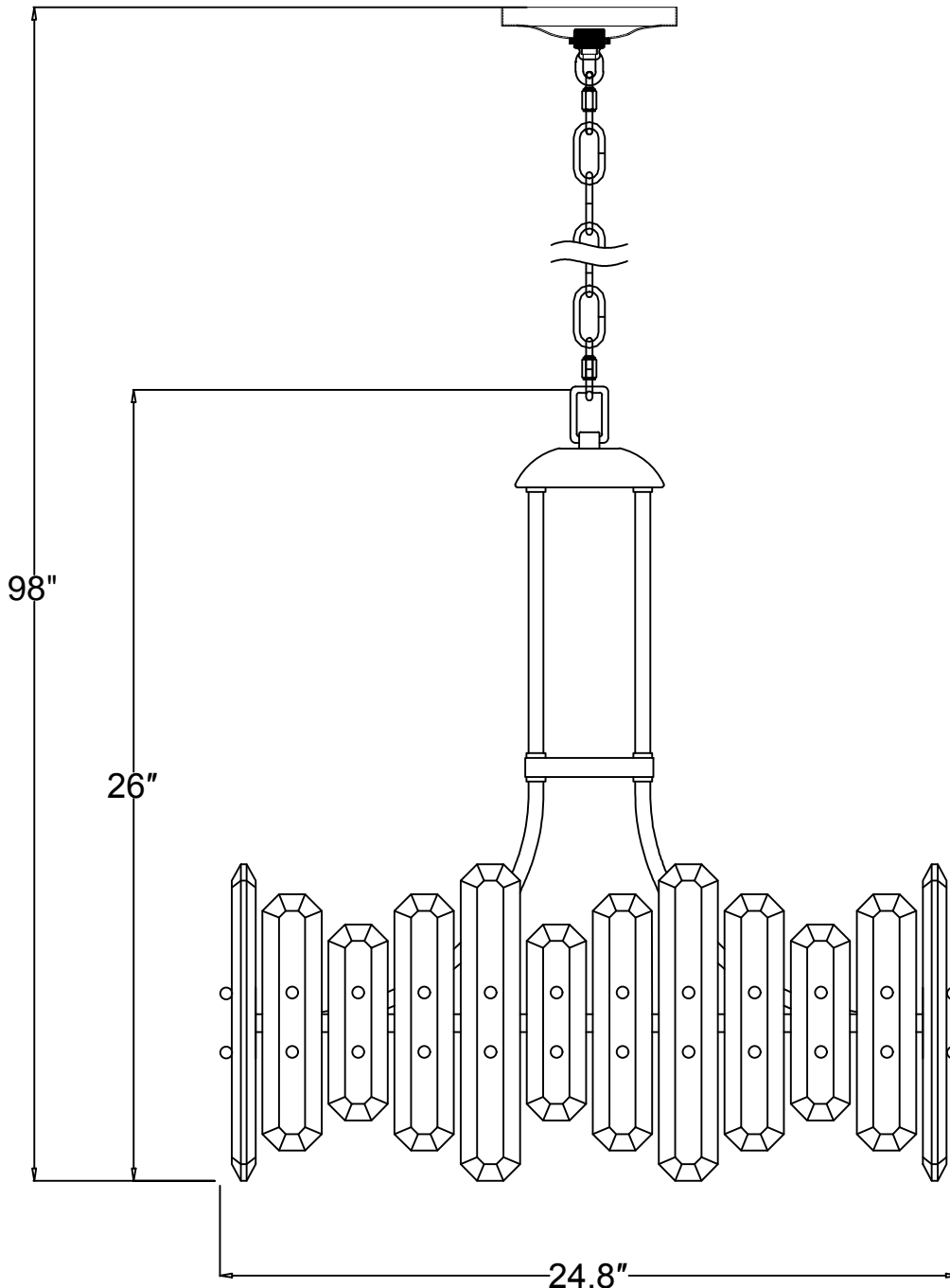
**You will need 8-Cand. Bulb**  
**40 watts Recommended 60 watts Max**  
**USE LED BULBS FOR EXTENDED USE**  
**This fixture is DRY Rated**

### How to Install

1. Thread the rod onto the nipple on the middle ring.
2. Place the top metal plate over the end of the rod and secure it with hex nut.
3. Place the top cap kit over the top plate and plug the wires together. Turn the fixture loop to secure it.
4. Secure the crystals to the fixture using the ball nuts.

### CRYSTAL SETS:

- a. 2"x0.8"x10.5"-8pcs
- b. 2"x0.8"x8.5"-16pcs
- c. 2"x0.8"x6.5"-8pcs



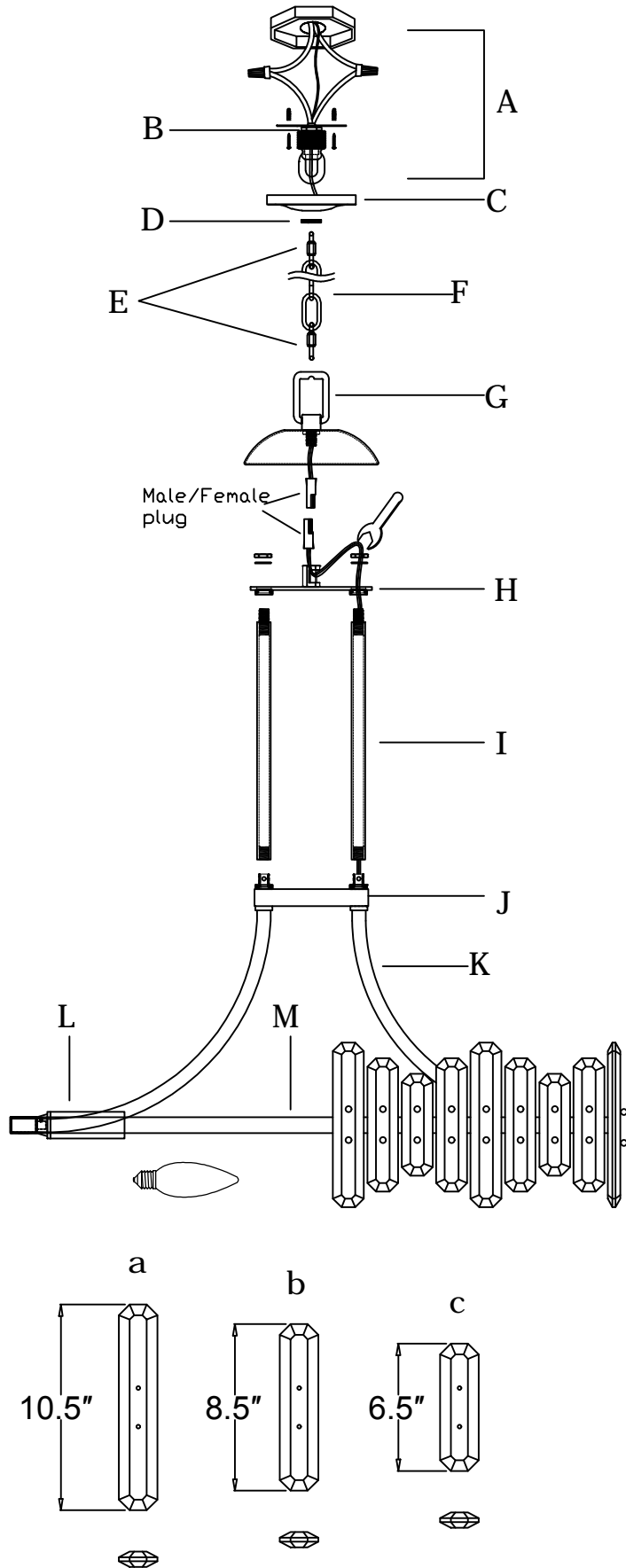
**WARNING:** This product can expose you to Lead, which is known to the State of California to cause cancer and/or birth defects or reproductive harm. For more information go to [www.P65Warnings.ca.gov](http://www.P65Warnings.ca.gov)

# CRYSTORAMA



LIGHTING THE WAY FOR SIXTY YEARS

PART NUMBER MODEL #BOL-8888-PN



## Part Number

### Part Numbers

- A. Mounting Hardware
  - (1) Mounting Plate
  - (2) Mounting Screw
  - (3) Wire Nut
- B. (1) Screw Collar Loop
- C. (1) Canopy;  $\varnothing 5.5 \times 1.2$ h; XME8888PNCAN5.5IN
- D. (1) Collar Ring
- E. (2) Quick Link
- F. (1) Chain; 72"Lx  $\varnothing 5$ mmT; XME8888PNCHA5MM
- G. (1) Top cap kit
- H. (1) Middle Plate
- I. (4) Rod;  $\varnothing 0.5 \times 11.6$ h; XME8888PNROD8.7IN
- J. Middle ring
- K. (4) Arm;  $\varnothing 0.5$ "
- L. (8) Candle Sleeve;  $\varnothing 1 \times 2.8$ h
- M. (1) Bottom Ring
- N. (64) Ball Nut; XME8883PNBANUT

