

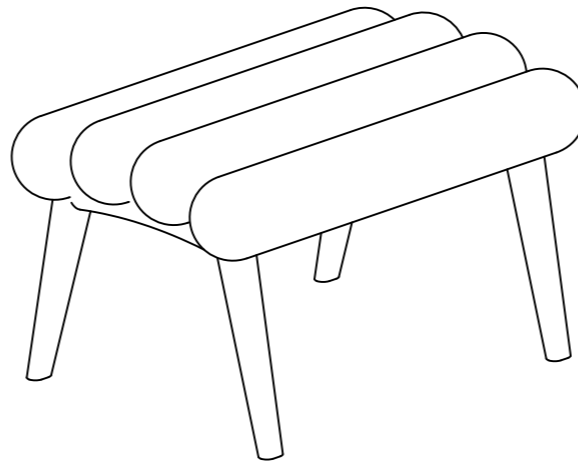
MOE'S

home collection

ASSEMBLY INSTRUCTIONS.








ARLO STOOL PERFORMANCE FABRIC OFF WHITE

EW-1014-14



THANK YOU FOR YOUR PURCHASE!

PARTS AND HARDWARE

NO.	DESCRIPTION	IMAGE	QTY
A	Seat		1
B	Wood leg		2
C	Bottom Frame		1
D	Bolts (M8*35mm)		8
E	Washer (Ø8*Ø16*2mm)		8
F	Spring washer		8
G	Allen key		1

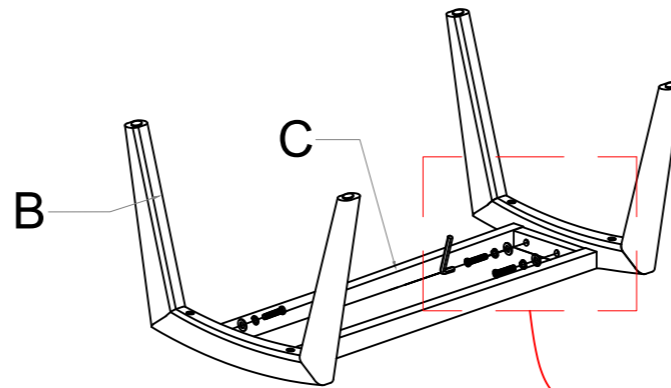
NOTES.

Thank you for purchasing this quality product!
Be sure to check all packing material carefully
for small part that may have come loose inside
the carton during shipping.

Caution: The item is heavy, assembly should
be performed by two people.

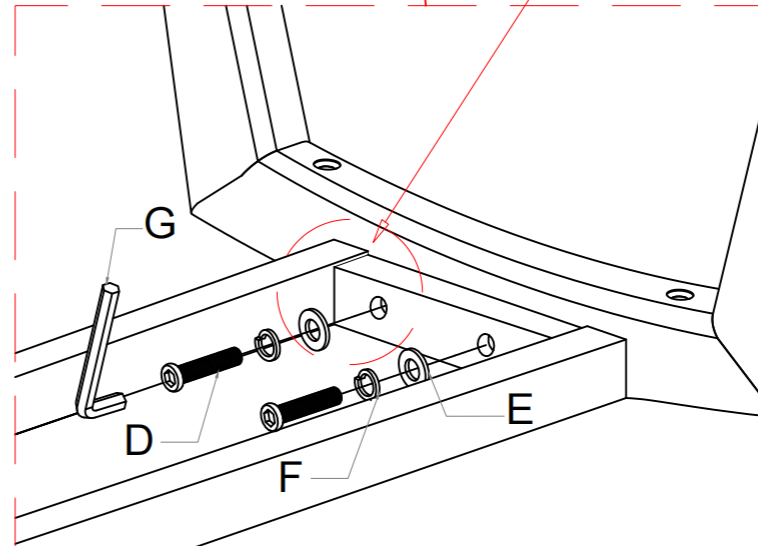
STEP 1.

Assembling legs and bottom frame with allen key (G), bolts (D), washer (E), spring washer (F) tightly.



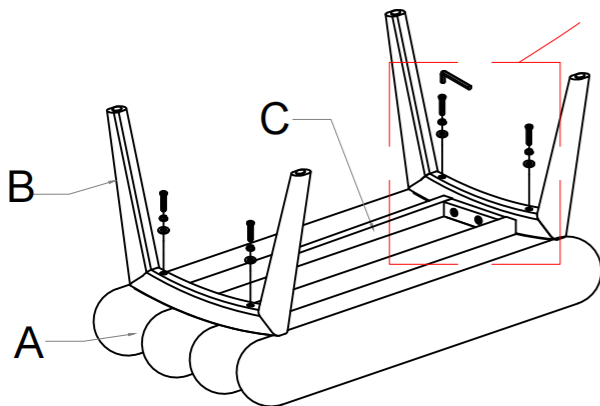
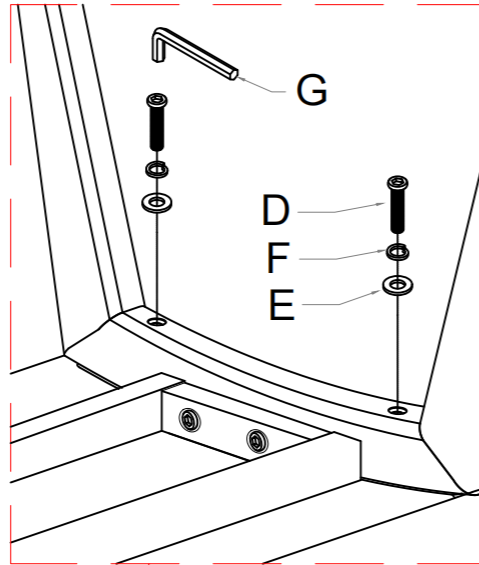
NOTE:

PLEASE BE SURE THE SURFACE
WITH OFF SET FACE UP.



STEP 2.

Assembling legs and seat with allen key (G), bolts (D), washer (E), spring washer (F) tightly.



STEP 3.

Assembly finished .

