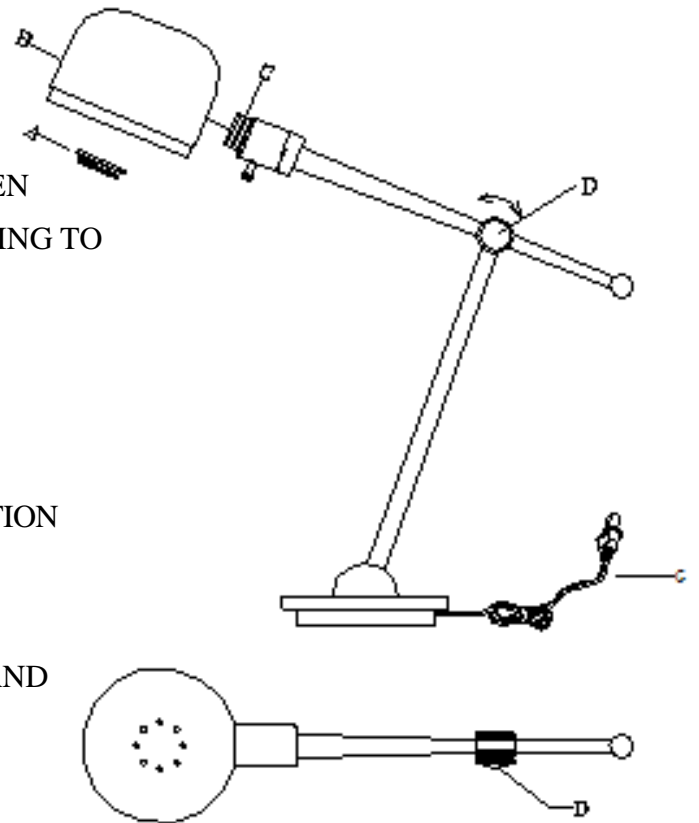


# ASSEMBLY INSTRUCTIONS

## ITEM NO.: BO-2765DK

1. PLEASE CAREFULLY UNPACK THE BOX AND THEN PLACE ALL PARTS ON A FLAT SURFACE ACCORDING TO THE ILLUSTRATION.
2. PUT METAL SHADE(B) ONTO THE SOCKET(C), AND THEN TIGHTEN IN WITH SOCKET RING (A).
3. LOOSEN NUT(D) FIRST,AND THEN ADJUST THE HEIGHT OF SHADE (B) TO A PROPRIATE POSITION AND TIGHT THE NUT (D).
4. PUT ON THE BULB AND INSERT THE PLUG INTO OUTLET, FINALLY TURN ON THE SWITCH AND ENJOY YOUR NICE LAMP.



**USE 60 WATTAGE (MAXIMUM) TYPE A BULB (BULB NOT INCLUDED)**

## IMPORTANT SAFETY INSTRUCTIONS:

THIS PORTABLE LAMP HAS A POLARIZED PLUG (ONE BLADE IS WIDER THAN THE OTHER) AS A SAFETY FEATURE TO REDUCE THE RISK OF ELECTRIC SHOCK. THIS PLUG WILL FIT IN A POLARIZED OUTLET ONLY ONE WAY. IF IT DOES NOT FIT FULLY IN THE OUTLET, REVERSE THE PLUG. IF IT STILL DOES NOT FIT, CONTACT A QUALIFIED ELECTRICIAN. NEVER USE WITH AN EXTENSION CORD UNLESS THE PLUG CAN BE FULLY AND EASILY INSERTED. DO NOT ATTEMPT TO ALTER THE PLUG.

- ※ PLEASE INFORM YOUR DEALER IMMEDIATELY IN CASE OF ANY PARTS SHORTAGE.
- ※ SAVE THESE INSTRUCTIONS FOR FUTURE REFERENCE.