

Diamond Sconces

8290 - Wide Sconce

8291 - Round Sconce

Project Name _____

Fixture Type _____

Quantity _____

Norwell Lighting

ILEX

Custom Metalcraft

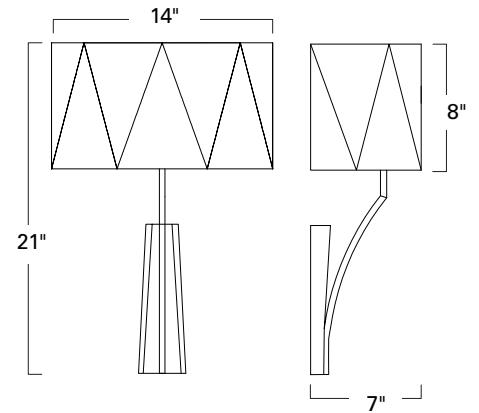


Diamond Wide
Black Shade
8290-PN-BS



Diamond Round
Black Shade
8291-PN-BS

8290 Wide Sconce

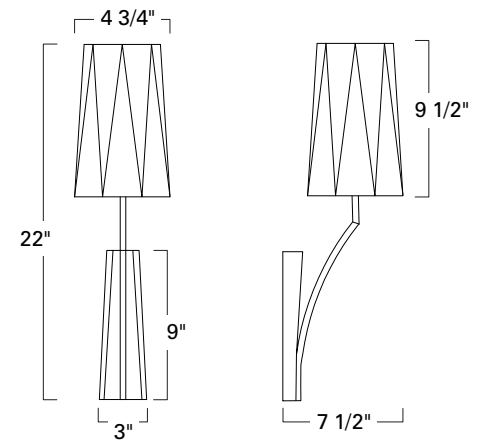


Diamond Wide
White Shade
8290-PN-WS
with Trimplate*



Diamond Round
White Shade
8291-PN-WS
with Trimplate*

8291 Round Sconce



Backplate requires Switch box or Trimplate*



Also available in a Diamond Chandelier.
See 8292 technical sheet

| Product Name / Model / Dimensions | | | | Finish Options | Shade Options | Lamping Options |
|--|--------|--------|------------|----------------------------------|--|--|
| Diamond Wide Sconce - 8290 Diamond Round Sconces - 8291 | | | | Standard Polished Nickel / PN | Standard Black Shade / BS White Shade / WS Wide Shade Size: 8 H X 14 W Round Shade Size: 9 1/2 H X 6 W | Standard Incandescent 1-60 Watt Medium Base |
| | Height | Width | Projection | | | |
| 8290 | 21" | 14" | 7" | | | |
| 8291 | 22" | 4 3/4" | 7 1/2" | | | |
| Backplate 9" H x 3" W at bottom tapers to 2" W at top | | | | | | |

*Trimplate; TP-4-PN: 10 3/4 H X 4 3/8 wide at bottom, tapers to 3 1/4 at top.
Damp Location Rated and UL/ETL Listed

REV-4-2020

DISCLAIMER:

Norwell Lighting and its companies, ILEX Architectural Lighting and Custom Metalcraft reserve the right to change specifications related to its product at anytime. USA Made indicates product is manufactured in East Taunton, Massachusetts facility. Phone: 508-823-1751