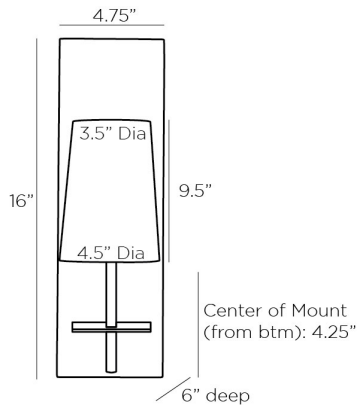


ARTERIOS

NEO SCNCE



44785-510
 H: 16 IN, W: 4.75 IN, D: 6 IN
 Blackened Iron, Off-White Linen
 Contract Suitable As Is

Modernism is established in the elegant and architecturally-inspired design of the Neo. A constructivist L-shape of blackened iron presents an antique brass iron collar topped with an off-white linen shade for a stark but striking contrast. Damp-rated, although limited covered outdoor areas may affect finish.

APPEARANCE

Material Iron, Linen
 Finish Antique Brass, Blackened Iron, Off-White
 Top Coat/Sealant true

DIMENSIONS

Center Of Mount From Btm 4.25 IN
 Shade Top: 3.50 IN, Dia: 4.50 IN, Side: 6.5 IN
 Backplate H: 4.75 IN, W: 4.75 IN, D: 0.5 IN
 Mount H: 4.5 IN, W: 4.5 IN

WIRING

Rating Damp
 Certification Note PENDING REVIEW
 Suggested Bulb Type T6
 Cord 1 FT, Clear/Silver, SVT
 Socket 1, Type B - E12
 Maximum Watt 25
 Voltage 110-120 V

CERTIFICATIONS

Certifications Mexico
 United States, Canada

COMPLIANCY

UL/ETL Yes
 RoHS true

SHIPPING

Product Weight 8 LBS
 Gross Weight 1 6.6 LBS
 Gross Weight 2 5 LBS
 Shipping Box 1 H: 8 IN, L: 7.1 IN, W: 17.75 IN
 Shipping Box 2 H: 8.5 IN, L: 8.5 IN, W: 8.5 IN
 Shipping Box 3 H: 0

ADDITIONAL INFO

Hanging Orientation Vertical Only

CONTRACT

Contract Suitable true