

# Assembly Instruction Sheet #IS-DE8961IB For Styles DE8961IB

Quoizel, Inc.  
 6 Corporate Parkway  
 Goose Creek, SC  
 29445

Customer Service  
 Phone 631.273.2700  
 Fax 631.231.7102  
 www.quoizel.com

**Tools Required:** Flathead screwdriver, Phillips screwdriver, pliers, wire cutters, wire strippers, electrical tape, safety glasses.

**Bulb Recommended:** (3) Candelabra Base 60W Maximum

**Estimated Assembly Time:** 20-30 minutes

**Preparation:** Identify and inspect all parts before beginning installation. Check package content list and diagrams below to be sure all parts are present. If any parts are missing or damaged, do not attempt to assemble, install, or operate the fixture. Contact customer service for replacement parts.

## Warnings and Cautions

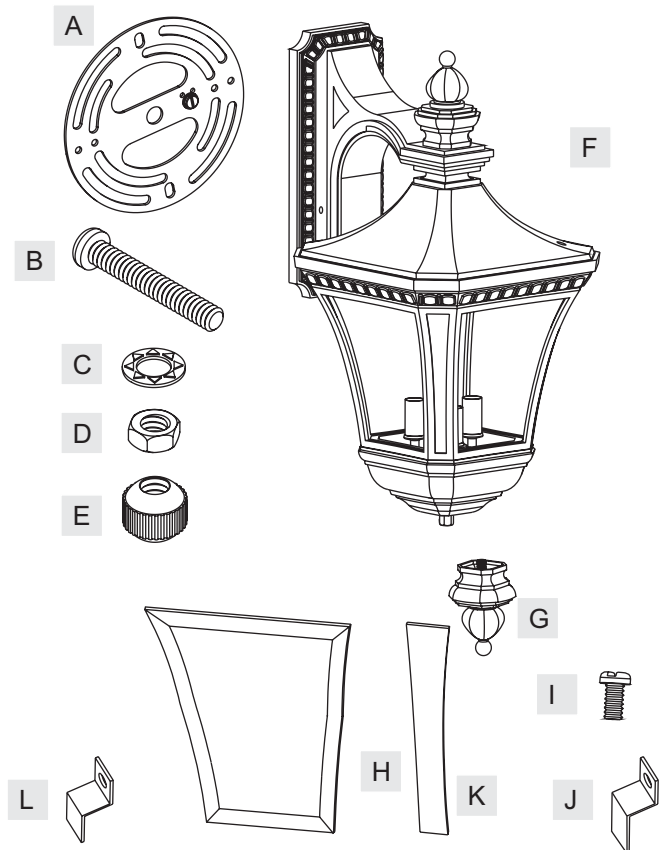
Turn off electricity at circuit breaker or main fuse box before installation. Consult a licensed electrician if in doubt.

These instructions are provided for your safety. It is very important you read them completely before installing the fixture. We strongly recommend that a licensed, professional electrician perform the installation.

Disconnect fixture from power source before replacing bulbs. Make sure bulbs are given sufficient time to cool before removal. Do not subject glass parts to any shock while in operation or shattering may result.

## Package Contents

Part	Description	Quantity
A	Crossbar	1 pc.
B	Mounting Screw	2 pcs.
C	Lock Washer	2 pcs.
D	Hex Nut	2 pcs.
E	Mounting Ball	2 pcs.
F	Fixture Body	1 pc.
G	Finial Assembly	1 pc.
H	Large Glass Panel	4 pcs.
I	Lock Screw	8 pcs.
J	Loog Tab	4 pcs.
K	Small Glass Panel	4 pcs.
L	Short Tab	4 pcs.

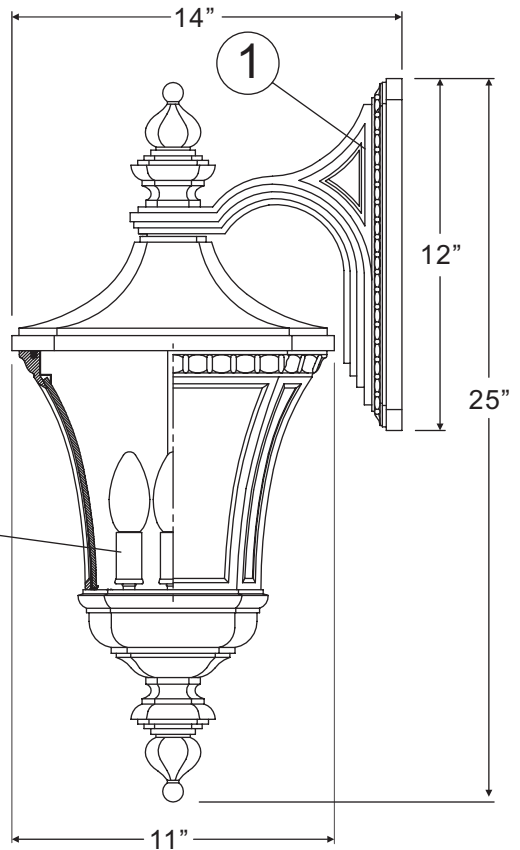
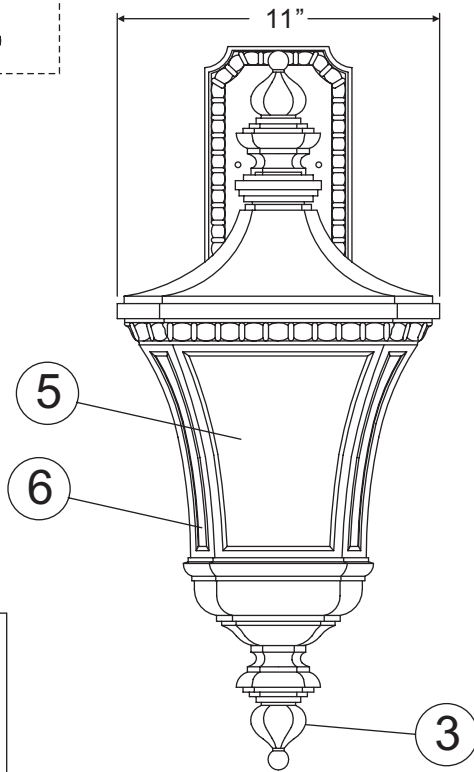
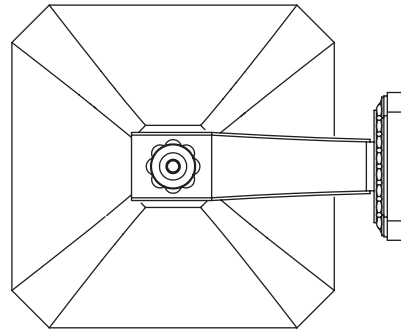
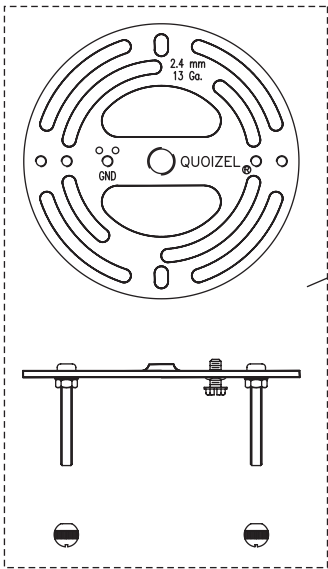


Thank you for purchasing a Quoizel product.

Need assistance with parts or assembly? Call Quoizel customer service at 1-631-273-2700  
 or visit us on-line at [www.quoizel.com](http://www.quoizel.com)

DE8961IB

FINISH: IMPERIAL BRONZE



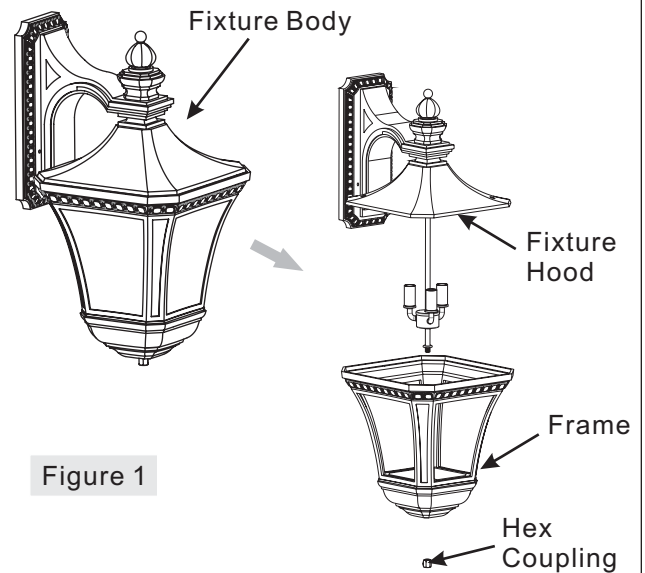
(3)60W Candelabra  
base bulbs  
(not Supplied)

NOTE: ALL DIMENSIONS ARE ROUNDED UP TO THE NEAREST 1/2"

NO.	PART NUMBER	REPLACEMENT PART DESCRIPTION	REQ.
1	18961IBDE	BASE IMPERIAL BRONZE DE8961IB	1
2	M380CCIB	CDCV IMPBRZ REPL CANDLE COVER	3
3	M388FIIB	FINL IMPBRZ REPL DE8960/8961IB	1
4	M280KTIB	KIT IMPR BRNZ REPL	1
5	G1200PA	PANL LRG CLR BEV REPL DE8960IB	4
6	G1199PA	PANL SML CLR BEV REPL DE8960IB	4

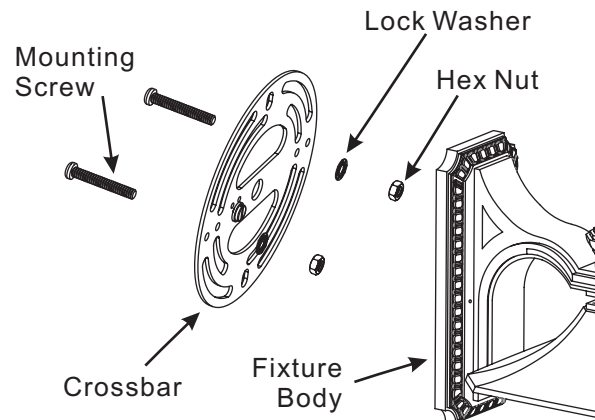
### STEP 1 – Remove Glass Frame from Fixture Hood

- A. Prior to assembly, remove the Glass Frame from the Fixture Hood by unscrewing the Hex Coupling. Remove the packaging material inside of the Glass Frame.



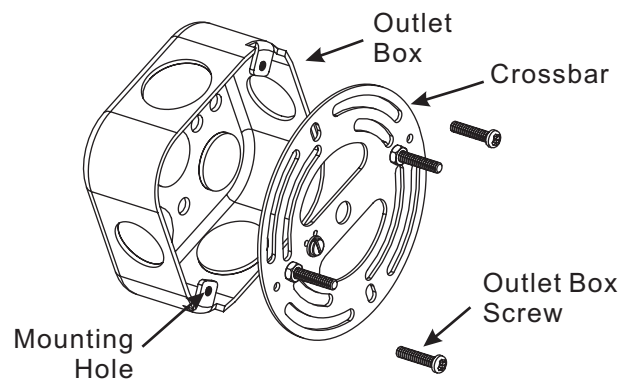
### STEP 2 – Attach Mounting Screws, Lock Washers and Hex Nuts to Crossbar

- A. Line up a set of holes on the Crossbar (A) and Holes on the backplate of the Fixture Body (F).
- B. Thread Mounting Screws (B) into the holes on the Crossbar (A), pass Lock Washers (C) and thread Hex Nut (D) onto the Mounting Screws (B). Hand tighten until snug.



### STEP 3 – Attach Crossbar to Outlet Box

- A. Attach the Crossbar (A) to Outlet Box and secure by threading Outlet Box Screws (not supplied) into the Mounting Holes on the Outlet Box. Tighten until snug.

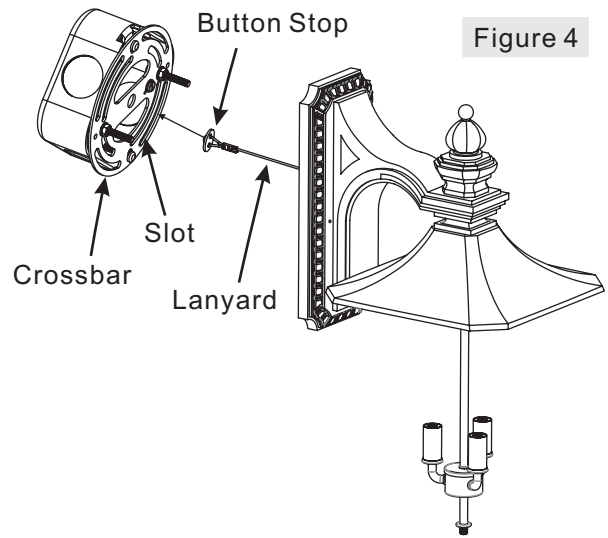


Thank you for purchasing a Quoizel product.

Need assistance with parts or assembly? Call Quoizel customer service at 1-631-273-2700  
 or visit us on-line at [www.quoizel.com](http://www.quoizel.com)

### STEP 4 – Attach Lanyard

- A. The purpose of the lanyard is to provide the installer a means to support the fixture from the junction box while connecting the electrical wires. This enables the fixture to hang from the junction box and your hands are free to make the wire connections.
- B. Turn the Button Stop so it may be inserted into the crossbar slot. Make sure the Button Stop is completely inside the crossbar. Slowly release the fixture to make sure it is supported by the Button Stop. Proceed to the wiring steps. Once you are complete with the wiring there is nothing to do with Lanyard. The Lanyard will push into the junction box when the fixture is placed for final mounting.



### STEP 5 – Make Wire Connections

- A. Use standard wire connectors to make all wire connections. (Connectors are not included with fixture.) Strip and prepare wire ends according to instructions supplied with connectors.
- B. Connect White Supply Wire from the Outlet Box to White Wire from fixture.
- C. Connect Black (or Red) Supply Wire from the Outlet Box to Black Wire from fixture.
- D. Connect Ground Wire from the Outlet Box to Ground Wire from fixture.
- E. Twist connectors until wires are tightly joined together.
- F. Wrap each connection with approved electrical tape and carefully stuff all the connected wires into the Outlet Box.

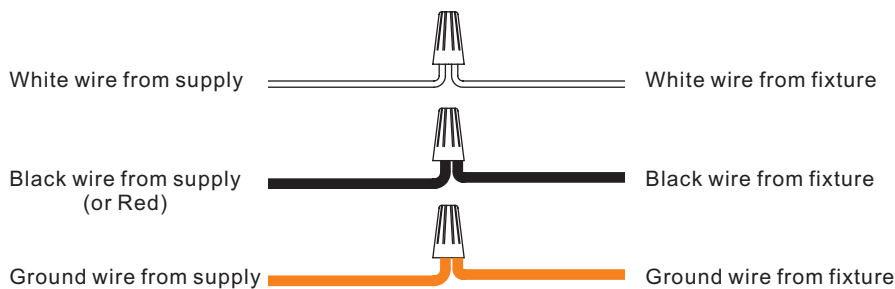
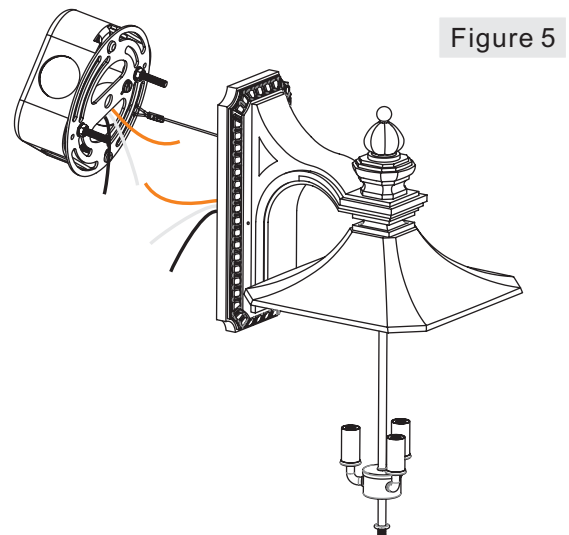


Figure 6

**Thank you for purchasing a Quoizel product.**  
**Need assistance with parts or assembly? Call Quoizel customer service at 1-631-273-2700**  
**or visit us on-line at [www.quoizel.com](http://www.quoizel.com)**

### STEP 6 – Attach Fixture Body to Mounting Screw

- A. Place the backplate of the Fixture Body (G) over the Mounting Screws (B) and secure with Mounting Balls (E). Hand tighten until snug.

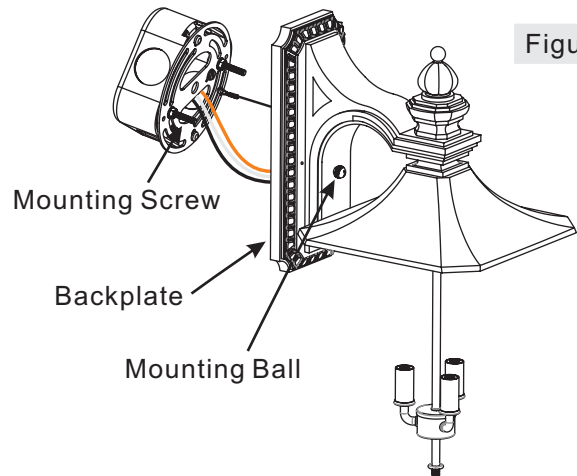


Figure 7

### STEP 7 – Install Bulb

- A. This fixture uses standard bulb with a candelabra screw base. Maximum 60 watts.  
 B. Insert bulb and screw snugly into place.

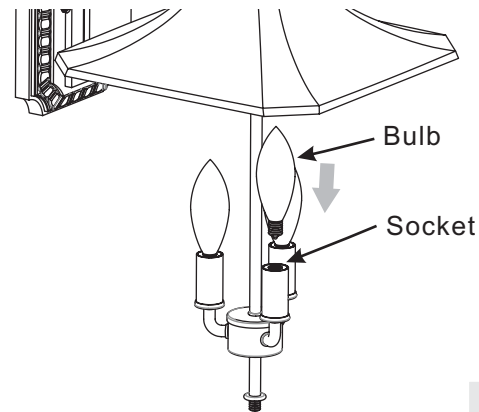


Figure 8

### STEP 8 – Attach Glass

- A. Slip Large Glass Panels (H) and Small Glass Panels (K) inside of the Fixture Frame as shown. Locate Long Tabs (J) onto the top edge of the Large Glass Panels (H) and locate Short Tabs (L) onto the top edge of the Small Glass Panels (K). Line up holes on Tabs onto Mounting Holes in the Fixture Frame. Thread Lock Screws (I) into mounting holes and hand tighten until snug to secure the Glass Panels.

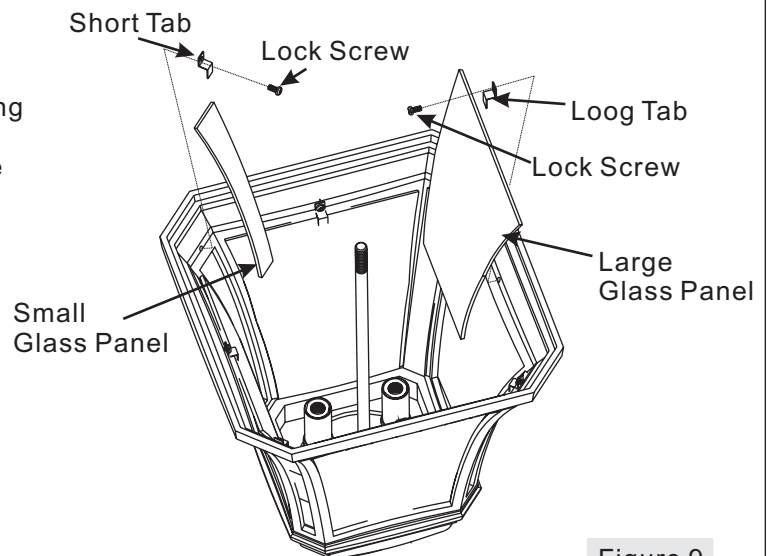
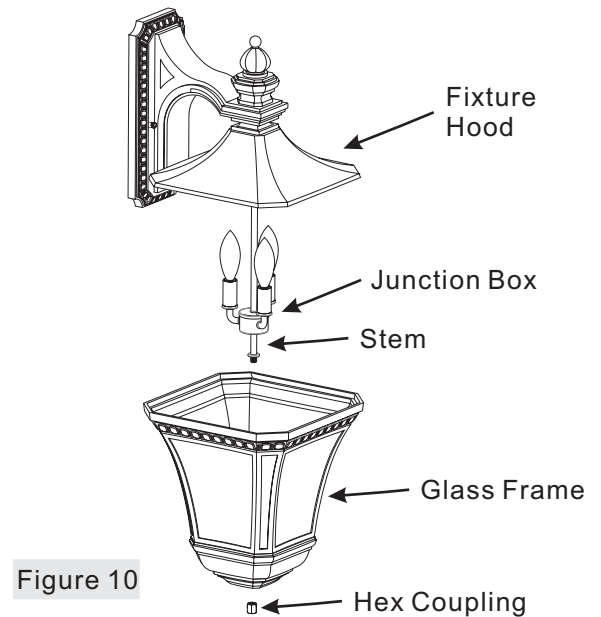


Figure 9

**Thank you for purchasing a Quoizel product.**  
**Need assistance with parts or assembly? Call Quoizel customer service at 1-631-273-2700**  
**or visit us on-line at [www.quoizel.com](http://www.quoizel.com)**

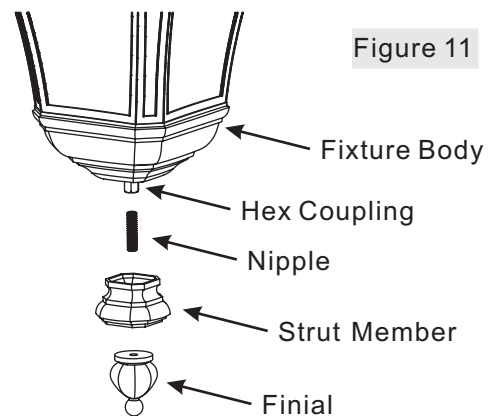
**STEP 9 – Attach Glass Frame to Fixture Hood**

- A. Place the Glass Frame over the end of the Stem on the bottom center of the Junction Box. Attach to the Fixture Hood. Secure by threading the Hex Coupling onto the Stem and tighten until snug.



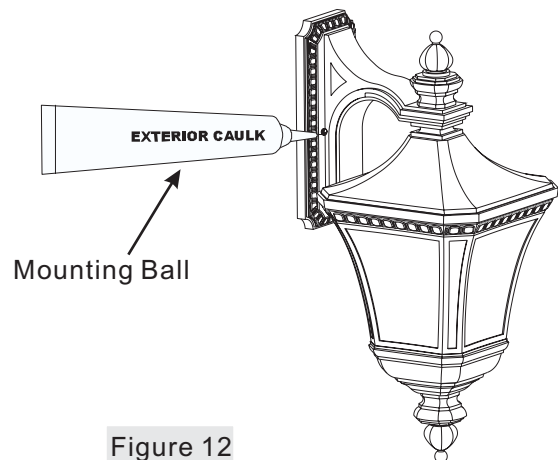
**STEP 10 – Assemble Strut Member and Finial**

- A. Remove the Strut Member and the Nipple from the Finial.  
 B. Screw one end of the Nipple into the Hex Coupling on the bottom center of the Fixture Body (F). Hand tighten until snug.  
 C. Pass the Strut Member over the top end of the Nipple and secure with the Finial. Hand tighten until snug.



**STEP 11 – Apply Silicone Sealer to Mounting Balls**

- A. To prevent moisture from entering the wire compartment, apply a small amount of silicone sealer (not included) to the threaded side of the mounting balls (E) and then install them onto the mounting screws (B). Wipe off excess caulk.

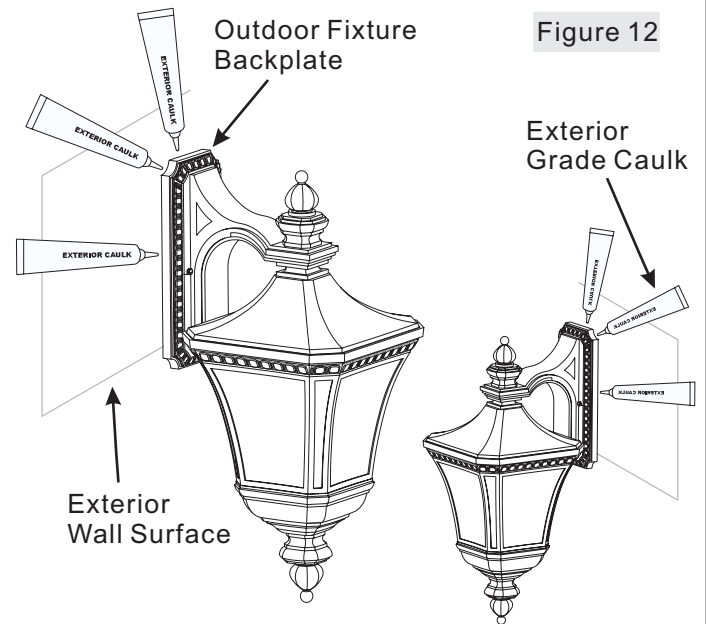


**Thank you for purchasing a Quoizel product.  
 Need assistance with parts or assembly? Call Quoizel customer service at 1-631-273-2700  
 or visit us on-line at www.quoizel.com**

### STEP 11 – Apply Silicone Sealer to Backplate

- A. Make sure exterior wall surface and fixture backplate are free of dirt before applying caulk. Using exterior grade caulk, start on one side of fixture backplate and follow contour, where the fixture backplate meets the exterior wall surface upward. Proceed to caulk over top of backplate and down other side. Do not caulk bottom of fixture backplate to ensure proper moisture drainage.

Your lamp wall fixture is now assembled and ready to use. Enjoy!



Thank you for purchasing a Quoizel product.

Need assistance with parts or assembly? Call Quoizel customer service at 1-631-273-2700  
or visit us on-line at [www. quoizel. com](http://www. quoizel. com)