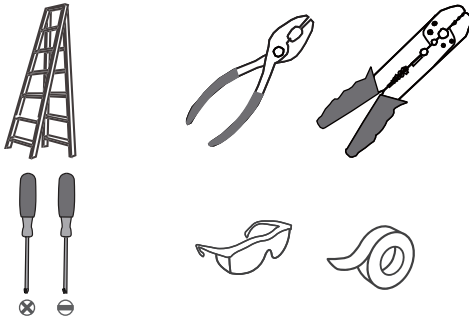


Tools Required



Light Source

40W
MAX



**BULB SHAPE
TYPE G9 XENON**

**6 BULBS REQUIRED
BULBS NOT INCLUDED**

⚠ Warnings and Cautions

Turn off the electricity at the circuit breaker before installation. Consult a licensed electrician if in doubt about installation.

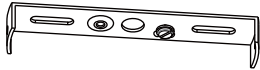
Turn off power to the fixture and allow the bulbs to cool before replacing.

Package Contents

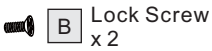
Preparation: Identify and inspect all parts before beginning the installation.

Missing or damaged parts? Contact your original place of purchase.

PARTS BAG



A Mounting Bracket
x 1



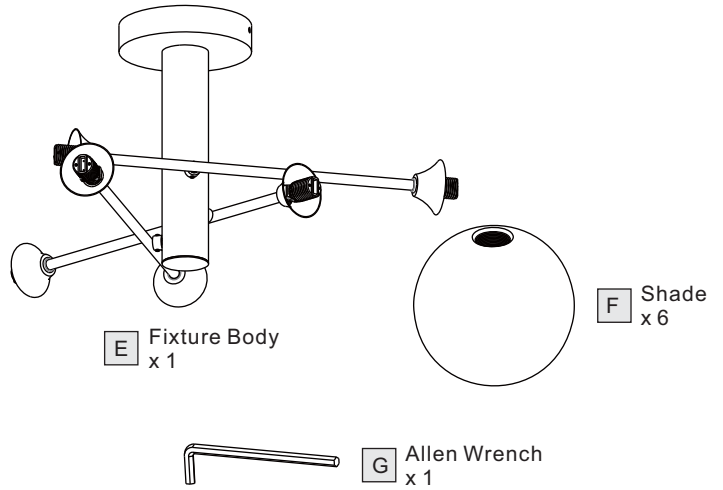
B Lock Screw
x 2



C Outlet Box Screw
x 2



D Wire Connector
x 3



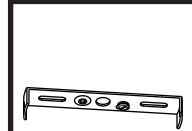
E Fixture Body
x 1

F Shade
x 6

G Allen Wrench
x 1

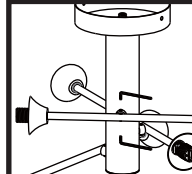
Table of Contents

Mounting Bracket



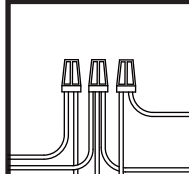
STEP 1

Level Arm



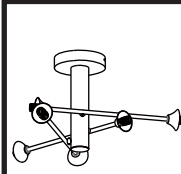
STEP 2

Wiring



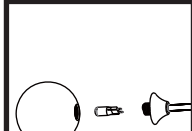
STEP 3

Fixture Body



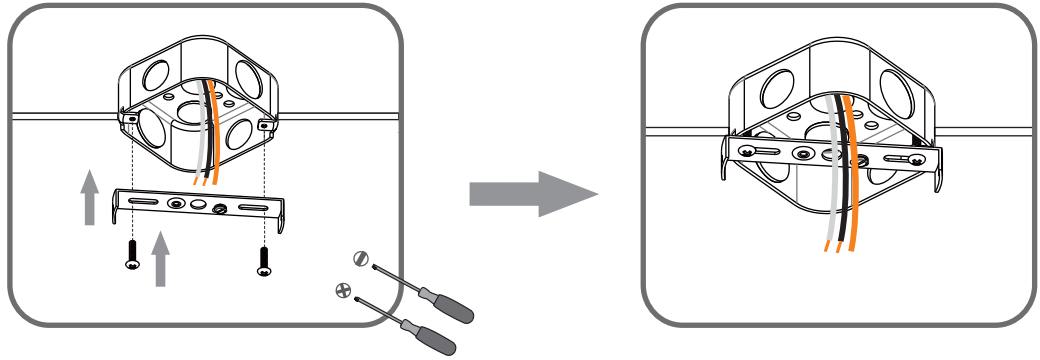
STEP 4

Bulb & Shade

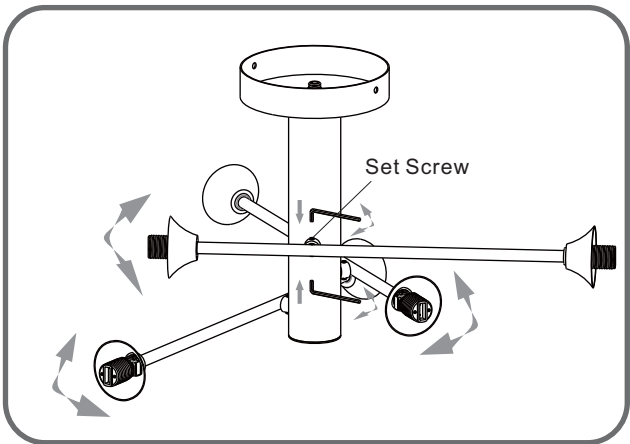


STEP 5

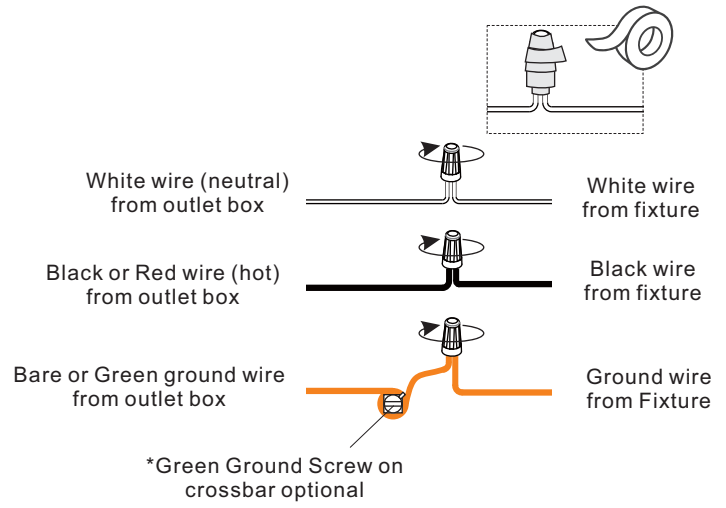
STEP 1



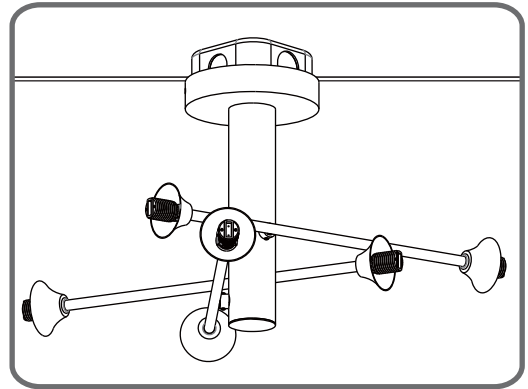
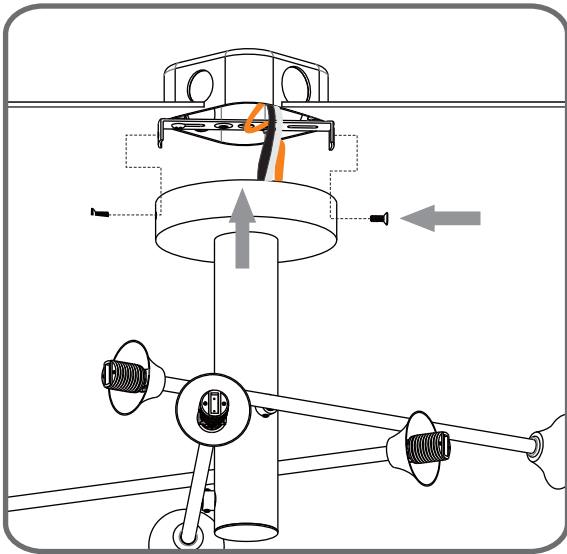
STEP 2 (Optional)



STEP 3



STEP 4



STEP 5

