

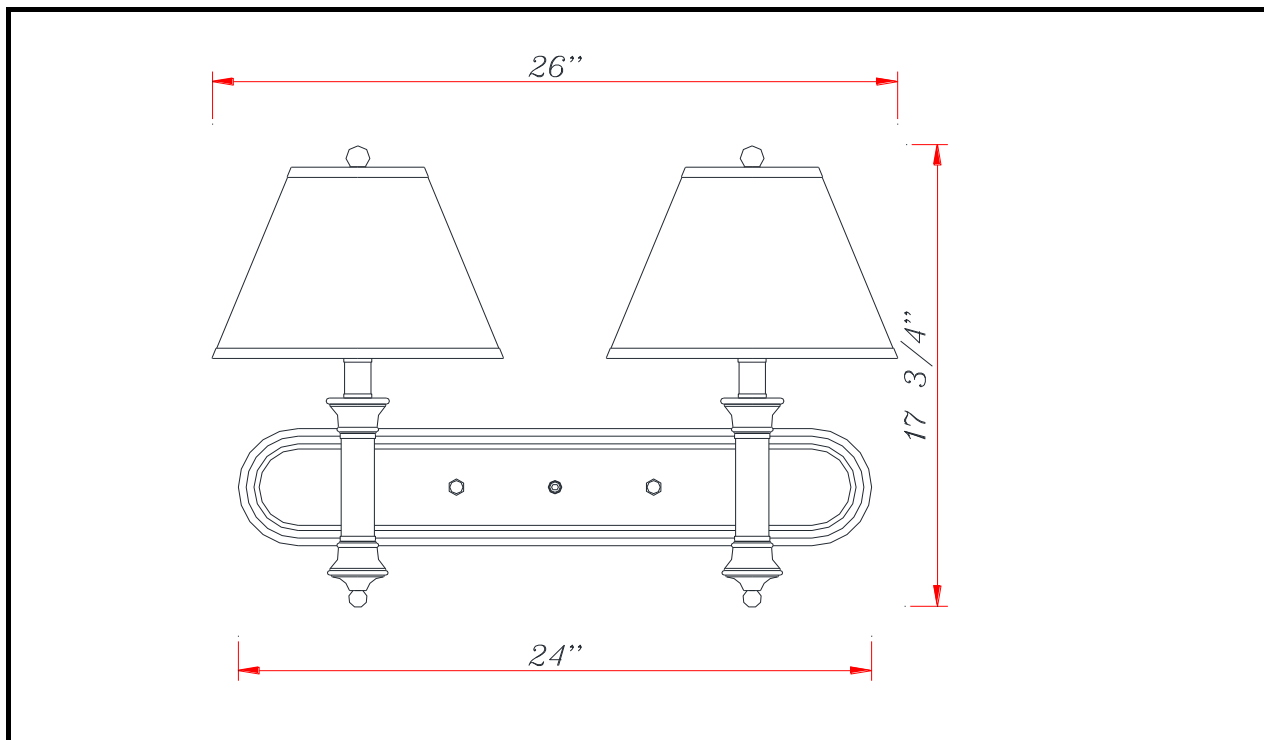


CAL LIGHTING

3625 E. Philadelphia St. Ontario CA. 91761 • Tel: 909.947.5200 • Fax:
909.947.5673 • www.calighting.com • service@calighting.com • Specifications subject
to change without notice

Type: _____
Project: _____
Catalog No.: _____
Lamp/Wattage: _____

Drawing:



- Model No:** LA-60007W2L-2
Description: 60Wx2 Metal wall lamp with 3-way push switch at plate
Material: Metal
Finish : Antique Bronze/Wood
Height: 17-3/4"
Base Width: 24"x 4 1/2"
Harp Size: 6.5"
Wattage : 60WX2
Socket : Medium Base (E26) X 2
Switch: 3-way push switch
Bulb: Incandescent,CFL
Power Outlet: N/A
Ethernet Jack: None
Cord: SPT-2
Cord Length: None
Cord Color: BLACK
Shade No: SH-1142
Material: Fabric
Shade size: 5"X11"X8"
Certificate :

