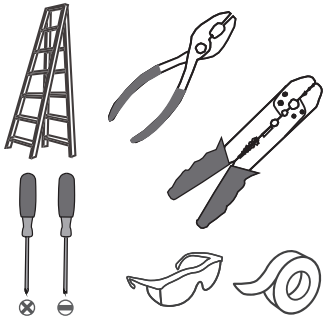
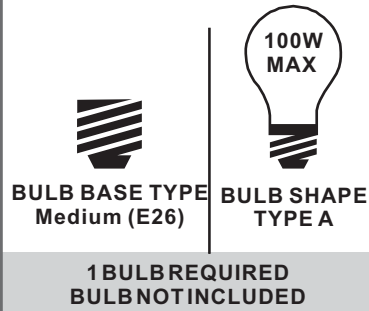


**Tools Required**



**Light Source**



**Warnings and Cautions**

Turn off the electricity at the circuit breaker before installation. Consult a licensed electrician if in doubt about installation.

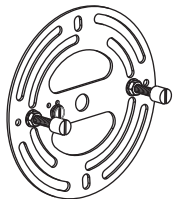
Turn off power to the fixture and allow the bulbs to cool before replacing.

**Package Contents**

**Preparation:** Identify and inspect all parts before beginning the installation.

Missing or damaged parts? Contact your original place of purchase.

**PARTS BAG**



**A** Crossbar Assembly  
x 1



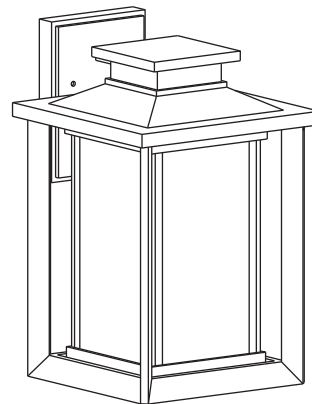
**C** Outlet Box Screw  
x 2



**B** Alternate Mounting Screw  
x 2



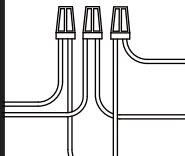
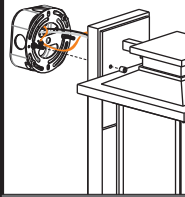

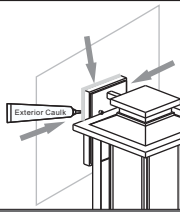


**D** Wire Connector  
x 3



**E** Fixture Body  
x 1

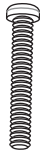
**Table of Contents**

Alternate Mounting Screw	Crossbar Assembly	Wiring	Fixture Body	Bulb	Caulk
					
<b>STEP 1</b>	<b>STEP 2</b>	<b>STEP 3</b>	<b>STEP 4</b>	<b>STEP 5</b>	<b>STEP 6</b>

# STEP 1

OPTION 1

Standard Mounting Screw



Included (Pre-assembled)

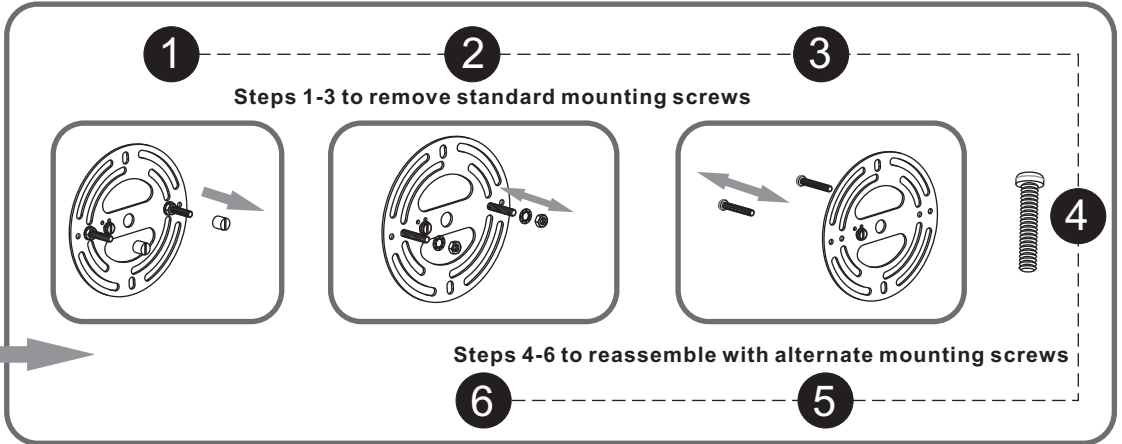
OPTION 2

Alternate Mounting Screw



Included

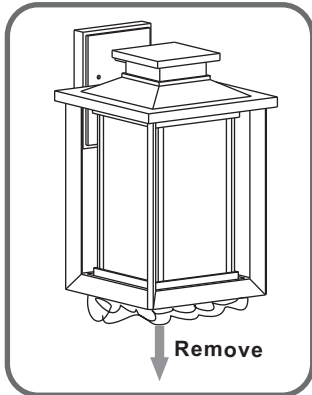
skip to next page



# STEP 2

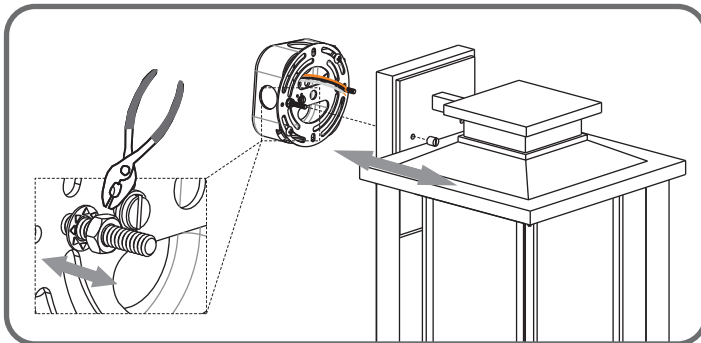
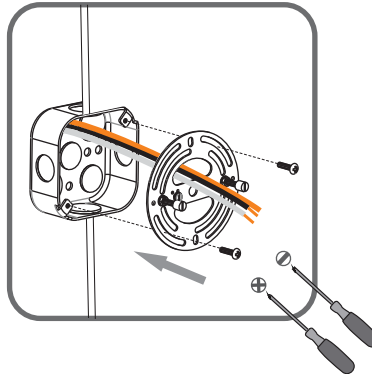
1

Step 1  
Remove paper inside of cage



2

Step 2  
Install crossbar assembly

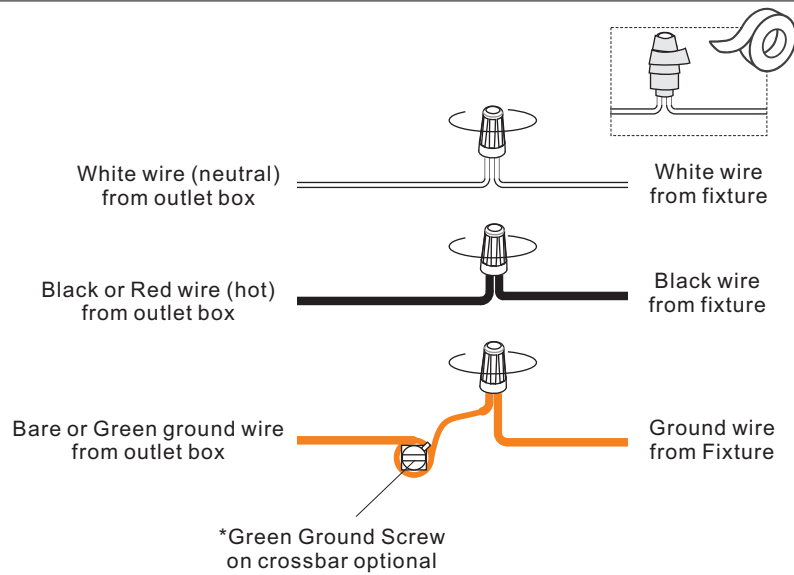


Step 3 - 4  
Test fitting backplate to mounting screws

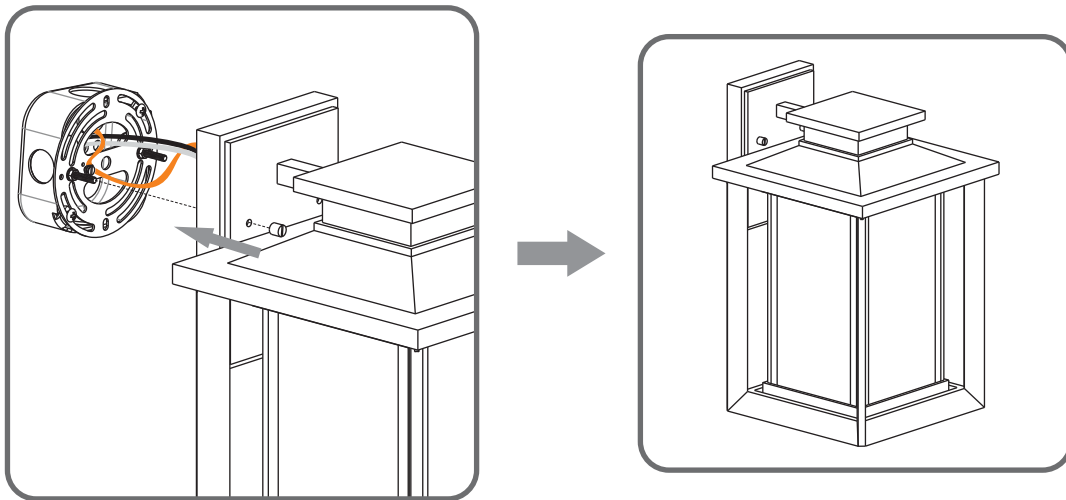
4

3

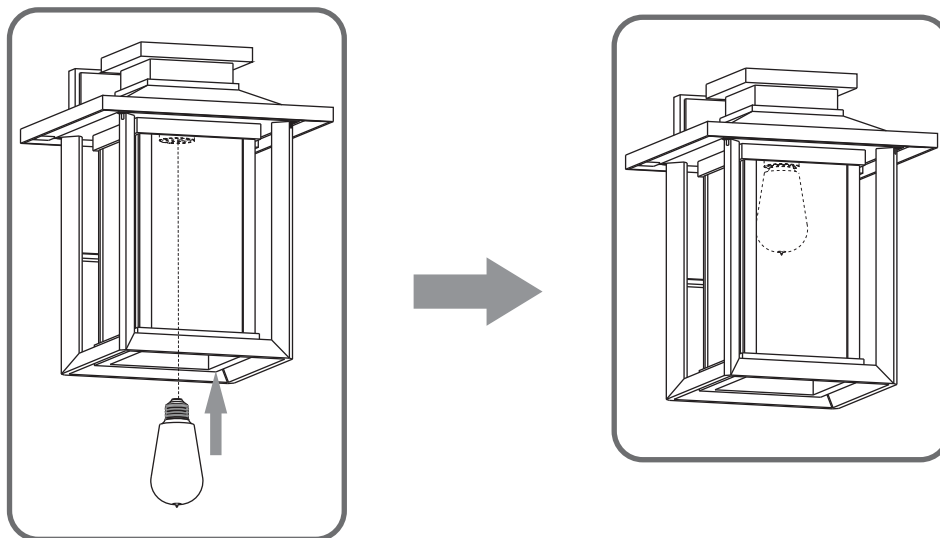
### STEP 3



### STEP 4



### STEP 5



**STEP 6**

