



# CAL LIGHTING

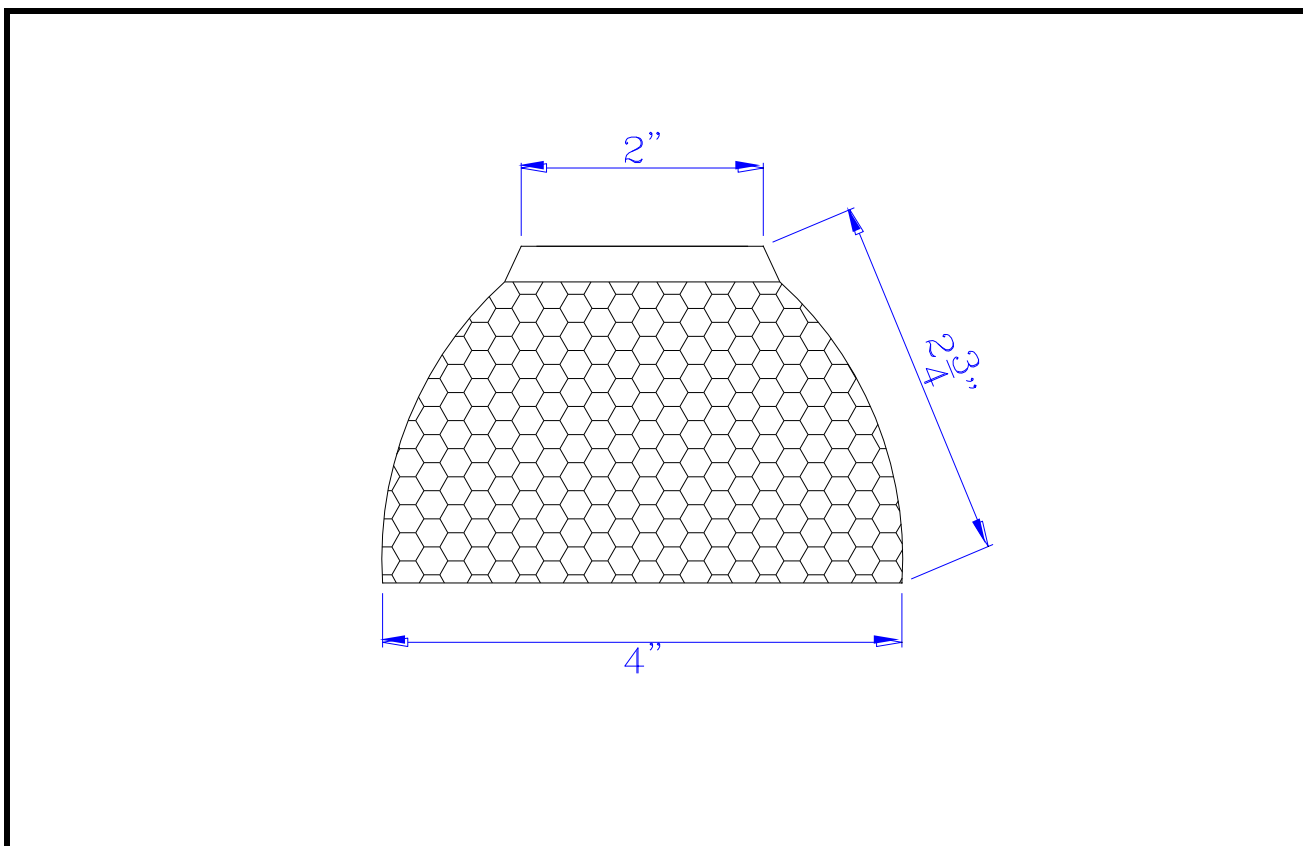
3625 E. Philadelphia St. Ontario CA. 91761 • Tel: 909.947.5200 • Fax:  
909.947.5673 • www.calighting.com • service@calighting.com •  
Specifications subject to change without notice

Type: \_\_\_\_\_

Project: \_\_\_\_\_

Catalog No.: \_\_\_\_\_

Lamp/Wattage: \_\_\_\_\_



**Model No. :** HT-225-SHADE

**Description:** Lighting Shade Only.

**Capability :**

**Bulb :** PAR30(halogen)

**Socket :**

**Voltage :**

**Wattage :** 75W Max

**Finish :** CP (Copper)

**Certificate :**