

# ASSEMBLY INSTRUCTIONS

## ITEM DESCRIPTION:

ITEM NO.: DWI14	NAME: Ellie Sconce
MATERIAL TYPE: Iron	FINISH: Gold leaf
SOCKET TYPE: E12 TYPE B	SOCKET QTY: 01
BULB WATTAGE: 40 W/10W CFL/9W LED	
VOLTAGE: 110-120V	ITEM NET WEIGHT: 2.5 LBS



## TO ASSEMBLE:

1. Shut off the main electrical supply from the main fuse box/circuit breaker.
2. Attach mounting plate to wall or junction box using mounting screws (C).
3. Connect ground wire from wall to ground wire from lamp using wire caps (A).
4. Attach house wire to lamp wires as shown. Fasten the pairs together with a wire caps. **DO NOT REVERSE THE HOT AND NEUTRAL CONNECTIONS OR SAFETY WILL BE COMPROMISED.**
5. Attach front face of light to back plate by inserting canopy screws (B) through predrilled holes in front face and into back plate as shown. Tighten using screwdriver.
6. Insert **(1) TYPE B 40W BULB / 10W SBCFL / 9 W SBLED** (not included) into the socket. **DO NOT EXCEED SPECIFIED WATTAGE**
7. Restore power to junction box and test fixture.

## PARTS INCLUDED:

Mounting Plate	Qty:	1
Back Plate	Qty:	1

## HARDWARE INCLUDED:

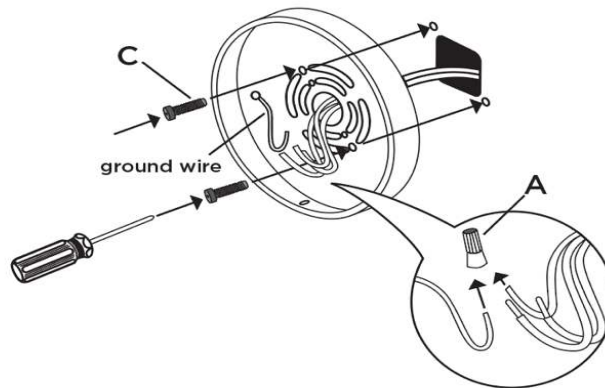
Mounting Screws	Qty:	02
Plastic Wire Connector	Qty:	02
Canopy Screw	Qty:	03

## TOOLS NEEDED (Not Included):

1 Philip Screwdriver
----------------------

These instructions are provided for safety. It is very important that they are read carefully and completely before beginning installation.

We strongly suggest that all hard-wired fixtures must be installed by a professional electrician.



## CARE INSTRUCTIONS:

Wipe with a soft, dry cloth. To protect finish, avoid the use of chemicals and

For customer service questions call 1-800-338-2150

ARTERIO RS