

The Roton pendant makes an impressive design statement in the simplicity and scale of its cylindrical geometry. Featuring a spun aluminum body and subtle diffuser, the Roton pendant houses a powerful LED light source designed to deliver softly diffused down lighting for controlled and distinctive illumination.

Outstanding protection against the elements:

- Powder coat finishes
- Stainless Steel mounting hardware
- Impact-resistant, UV stabilized lensing
- IP-65 Rated

Adjustable distance from ceiling

SPECIFICATIONS

DELIVERED LUMENS	1320
WATTS	21
VOLTAGE	Universal 120-277V
DIMMING	0-10, ELV, TRIAC
LIGHT DISTRIBUTION	Symmetric
MOUNTING OPTIONS	Ceiling
ADJUSTABILITY	Adjustable stem length (3", 6" and 12"). Integrated ball joint that accommodates sloped ceiling up to 45°.
CCT	2700K, 3000K or 4000K
CRI	90+
COLOR BINNING	3 Step
BUG RATING	B1-U2-G1
DARK SKY	Non-compliant
WET LISTED	IP65
GENERAL LISTING	ETL
CALIFORNIA TITLE 24	Can be used to comply with CEC 2016 Title 24 Part 6 for outdoor use. Registration with CEC Appliance Database not required.
START TEMP	-30°C
FIELD SERVICEABLE LED	Yes
CONSTRUCTION	Aluminum
HARDWARE	Stainless Steel
FINISH	Powder Coat
LED LIFETIME	L70; 70,000 Hours
WARRANTY*	5 Years
WEIGHT	5.2 lbs.

* Visit techlighting.com for specific warranty limitations and details.



ROTON 12 PENDANT
shown in charcoal



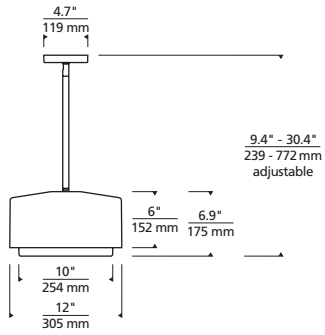
ROTON 12 PENDANT
shown in bronze

ORDERING INFORMATION

700OPROT	CRI / CCT	WIDTH	FINISH	VOLTAGE
927	90 CRI, 2700K	12 12"	Z BRONZE	UNV 120V-277V
930	90 CRI, 3000K		H CHARCOAL	
940	90 CRI, 4000K		B BLACK	

RIGID STEM ONLY (ADJUSTABLE 3", 6" AND 12" LENGTHS)

ROTON 12 OUTDOOR PENDANT



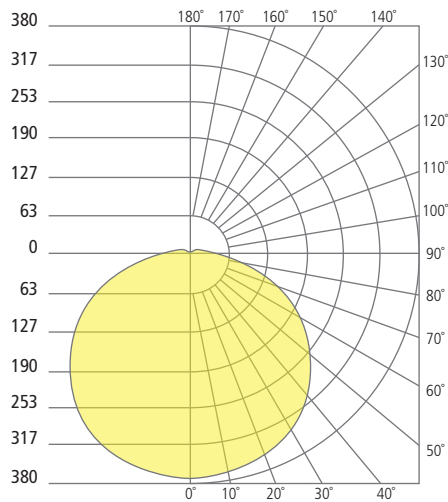
Roton Pendant

PHOTOMETRICS*

*For latest photometrics, please visit www.techlighting.com/OUTDOOR

ROTON 12

- Total Lumen Output: 1320
- Total Power: 21
- Luminaire Efficacy: 63
- Color Temp: 4000K
- CRi: 90+
- BUG Rating: B1-U2-G1



PROJECT INFO

FIXTURE TYPE & QUANTITY

JOB NAME & INFO

NOTES



GENERATION BRANDS
7400 Linder Avenue, Skokie, Illinois 60077

T 847.410.4400 F 847.410.4500



© 2019 Tech Lighting, L.L.C. All rights reserved. The "Tech Lighting" graphic is a registered trademark of Tech Lighting, L.L.C. Tech Lighting reserves the right to change specifications for product improvements without notification.