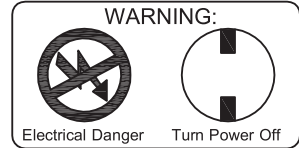
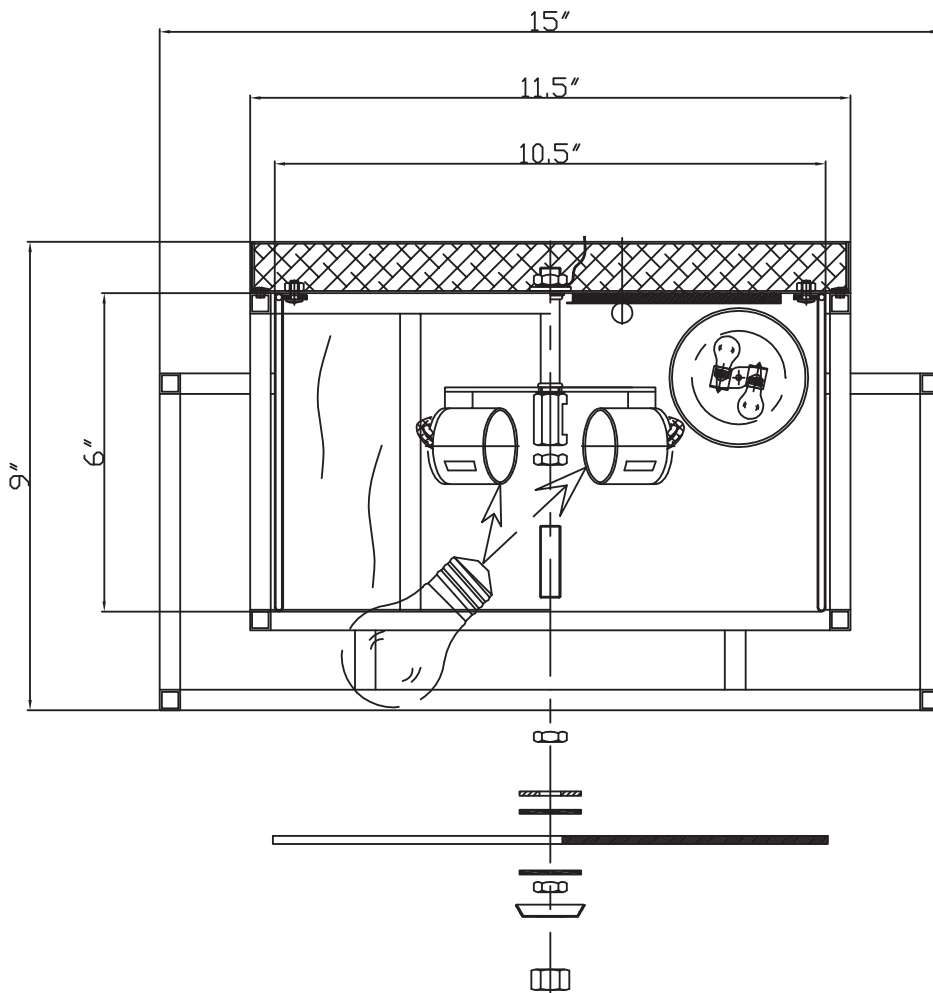


# CRYSTORAMA

LIGHTING THE WAY FOR SIXTY YEARS



## ASSEMBLY INSTRUCTION MODEL #9590-MK



All electrical components must be installed by a licensed electrician in accordance with the National Electric Code and the appropriate local electrical codes.



You will need 2 - Med. Bulb  
40 Watts Recommended  
60 Watts Max  
USE LED BULBS FOR EXTENDED USE  
The fixture is Dry rated

### How to Install

1. Thread the nipple into the coupler and secure with nut.
2. Place metal washer, rubber washer, glass diffuser, and rubber washer, in that order, over the nipple and secure with nut.
3. Place the vase cap over the bottom of glass diffuser and secure with finial.
4. Mount the canopy to the ceiling.



**WARNING:** This product can expose you to Lead, which is known to the State of California to cause cancer and/or birth defects or reproductive harm. For more information go to [www.P65Warnings.ca.gov](http://www.P65Warnings.ca.gov)

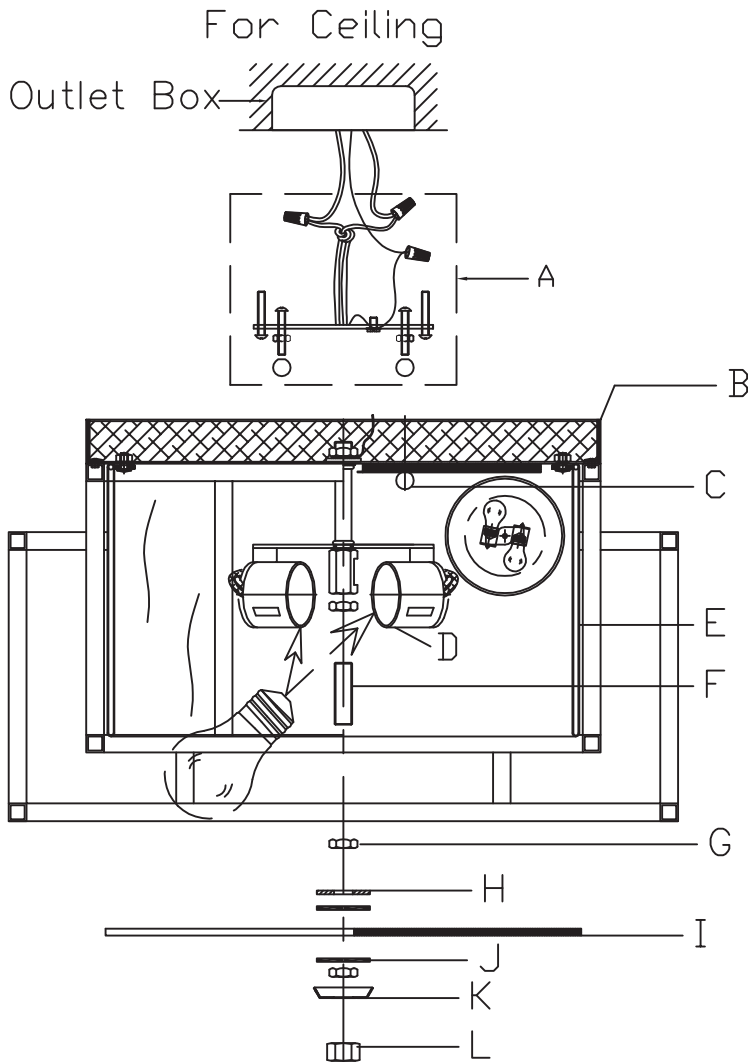
# CRYSTORAMA

LIGHTING THE WAY FOR SIXTY YEARS



Crystorama.com

PART NUMBER MODEL #9590-MK



## Part Number

### Part Numbers

- A. (1)–Mounting Hardware
- B. (1)–Canopy; W11.5”XH1”; XAR9590MKCAN11.5IN
- C. (2)–Ball Nut; XAR9590MKBALL
- D. (1)–Socket
- E. (1)–Shade;  $\phi$ 10.5”X6”; XAR9590MKSHA10.5IN
- F. (1)–Nipple
- G. (1)–Screw Nut
- H. (2)–Metal Washer
- I. (1)–Glass Diffuser;  $\phi$ 10.75”; XAR9590DIF10.75IN
- J. (2)–Rubber Washer
- K. (1)–Vase Cap; XAR9590MKCAP
- L. (1)–Finial; XSU9590MKFIN