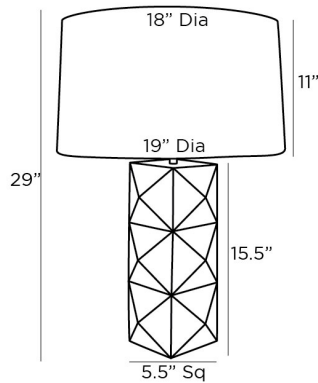


ARTERIOS

STEELE LAMP



49893-850
 H: 29 IN, Dia: 19.00 IN
 Ivory Riverstone Composite
 Contract Suitable As Is

Inspired by decorative metal studs used to embellish fashion accessories, the Steele lamp is created with a faceted façade in ivory riverstone composite with a matching stud-shaped finial. An off-white cotton drum shade, lined in off-white cotton, finishes the stylish illuminator. Finish will vary.

APPEARANCE

Material	Cotton, Riverstone, Steel
Material Type	Composite
Finish	Antique Brass, Ivory, Off-White
Finish Will Vary	true
Top Coat/Sealant	true
Finial Description	Decorative Ricestone to match
Finial Dimension	2x4x4

DIMENSIONS

Shade	Top: 18.00 IN, Dia: 19.00 IN, Side: 11 IN
Body	H: 15.5 IN, W: 8 IN, D: 8 IN
Neck	H: 2 IN, Dia: 0.50 IN
Foot Print	W: 5.5 IN, D: 5.5 IN
Harp	9" Brass IN

WIRING

Rating	Indoor Only
Tilt Test	10 Degrees - AU
Cord	10 FT, Back of Lamp Base, SPT-2, Taupe Fabric
Socket	1, Brass, Type A - E26
Switch	3-Way Rotary, At Socket
Maximum Watt	150
Voltage	110-120 V

CERTIFICATIONS

Certifications	Mexico Australia, United Arab Emirates, United Kingdom, United States, Canada
----------------	--

COMPLIANCY

UL/ETL	Yes
CB	Yes
RoHS	true

SHIPPING

Product Weight	26.5 LBS
Gross Weight 1	30 LBS
Gross Weight 2	5 LBS
Shipping Box 1	H: 12 IN, L: 12 IN, W: 25.63 IN
Shipping Box 2	H: 12 IN, L: 20 IN, W: 20 IN

ADDITIONAL INFO

Shade Shape	Round
Shade Trim	Rolled Edges
Shade Type	Hardback

REPLACEMENT PARTS

Replacement Part 1	49893FIN
Replacement Part 1 Dim	2x4x4

CONTRACT

Contract Suitable	true
-------------------	------