

# INSTALLATION INSTRUCTIONS

## Model 598S;598M;598B

**FOR YOUR SAFETY WARNING: BE SURE THE ELECTRICITY TO THE WIRES YOU ARE WORKING ON IS SHUT OFF; EITHER THE FUSE IS REMOVED OR THE CIRCUIT BREAKER IS SHUT OFF.**

**CAUTION: THE PRODUCT SHOULD BE INSTALLED BY A QUALIFIED ELECTRICIAN THAT IS AWARE OF THE CONSTRUCTION AND OPERATION OF THE PRODUCT AND THE HAZARDS INVOLVED**

**GENERAL** You don't need special tools to install this fixture. Be sure to follow the steps in the order given. Under no circumstances should a fixture be hung on house electrical wires, nor should a swag type fixture be installed on a ceiling which contains a radiant type heating system. Read instructions carefully. If you are unclear as to how to proceed, consult a qualified electrician.

**NOTE: Proper wiring is essential for the safe operation of this fixture.**

### MOUNTING THE FIXTURE (Fig. 1)

1. Shut off the power at the circuit breaker and remove the old fixture, including the mounting hardware.
2. Carefully unpack your new fixture and lay out all the parts on a clear area. Take care not to miss any small parts necessary for installation.
3. If you are replacing an existing fixture, remove and disconnect the old fixture
4. Fit inner mounting plate (B) to outlet box (A) (not supplied). Mark anchor hole's location on the wall. Hit the swell plastic button (D) (not supplied) into the wall with a hammer.

Attach the mounting plate (B) to the wall with mounting screws (C). GND must face out.

### Connect the electrical wires as follow:

5. Connect Black wire from the fixture to the black (hot) supply wire from outlet box; connect the white wire from the fixture to the white (neutral) house wire from outlet box. Make sure all wire nuts are secured. You may wrap the connections with electrical tape. If your outlet has a ground wire (green or bare copper). Connect fixture's ground wire to it. Otherwise, connect fixture's ground wire directly to the mounting plate using the green screw provided. Tuck the wire connections carefully into the outlet box.

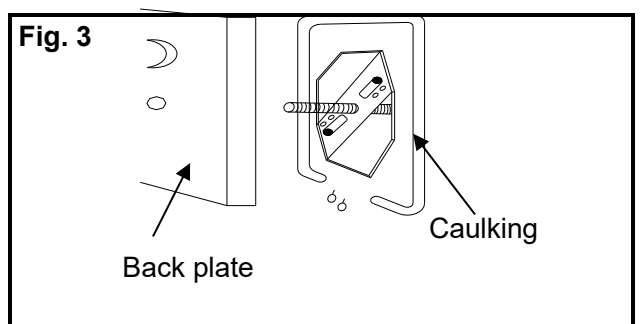
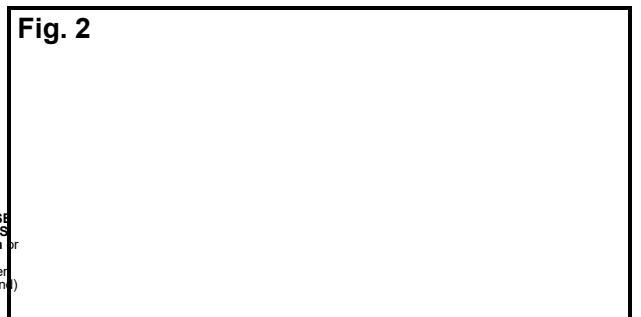
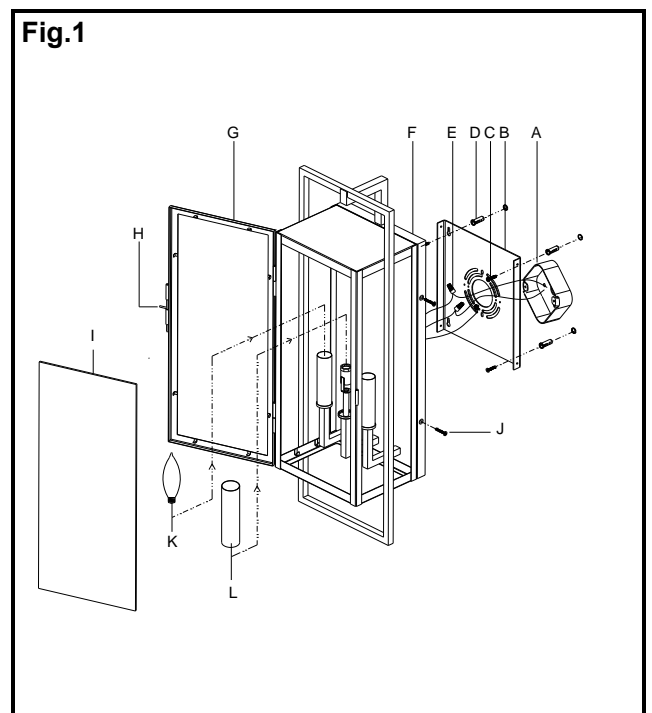
### THE INSTALLATION (Fig.1)

6. Put the fixture back plate (F) onto mounting plate (B) to be secured with mounting screws (J).

### Install glass panel(F). (Fig.4)

7. Insert the glass panel(I) into the slot in the top edge of the cage, secure the glass panel (I) by pressing the cage tabs onto the bottom edge of the glass panel.
8. Install the bulb into E12 Medium base in accordance with the fixture's specification.
9. To prevent moisture from entering the outlet box and causing a short, use clear caulking (i.e., Indoor/Outdoor Silicone Sealant) to outline the outside of fixture back plate where it meets the wall leaving a space at bottom to allow moisture a means to escape. (Fig. 3)
10. Push the handle (H) into the hole

**DO NOT EXCEED THE MAXIMUM WATTAGE RATING!**



**FOR YOUR SAFETY WARNING: BE SURE THE ELECTRICITY TO THE WIRES YOU ARE WORKING ON IS SHUT OFF; EITHER THE FUSE IS REMOVED OR THE CIRCUIT BREAKER IS SHUT OFF.**

**CAUTION: THE PRODUCT SHOULD BE INSTALLED BY A QUALIFIED ELECTRICIAN THAT IS AWARE OF THE CONSTRUCTION AND OPERATION OF THE PRODUCT AND THE HAZARDS INVOLVED**

**GENERAL** You don't need special tools to install this fixture. Be sure to follow the steps in the order given. Under no circumstances should a fixture be hung on house electrical wires, nor should a swag type fixture be installed on a ceiling which contains a radiant type heating system. Read instructions carefully. If you are unclear as to how to proceed, consult a qualified electrician.

**NOTE:** Proper wiring is essential for the safe operation of this fixture.

## **INSTALLATION INSTRUCTIONS**

### **Model 598S;598M;598B**

