

BBL2110

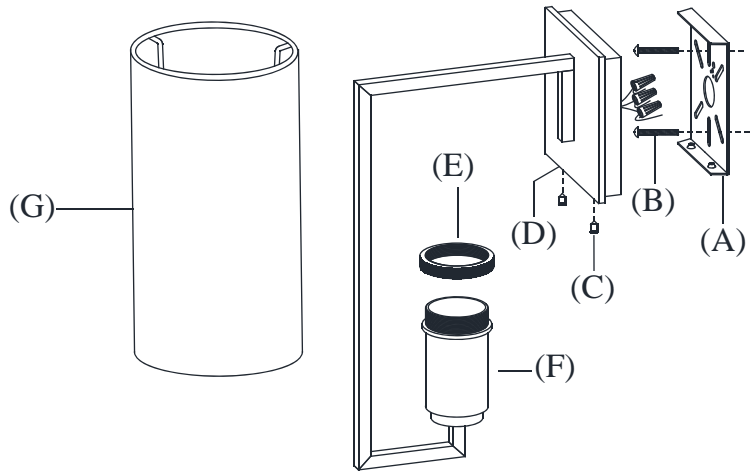
ASSEMBLY & INSTALLATION GUIDE

WE RECOMMEND INSTALLATION OF THIS LIGHTING FIXTURE BE DONE BY A LICENSED ELECTRICIAN.

WARNING * SWITCH OFF THE MAIN ELECTRICAL SUPPLY FROM THE MAIN FUSE BOX/CIRCUIT BREAKER BEFORE INSTALLATION.**

INSPECT ITEM CAREFULLY BEFORE ATTEMPTING TO INSTALL. IF THERE IS ANY DAMAGE OR OBVIOUS DEFECT, DO NOT INSTALL.

ITEM MAY NOT BE RETURNED ONCE IT HAS BEEN INSTALLED.



1. Remove mounting plate (A) from fixture base (D) by removing base screws (C).
2. Affix mounting plate (A) to wall outlet box with mounting screws (B) provided.
3. Connect ground wire from the light fixture (bare copper) to ground wire green or copper in color). Fasten together with a plastic wire connector provided and tightly wrap the wire from ceiling outlet box (usually connector with electrical tape so the end of the connector is sealed. IT IS IMPERATIVE THAT THE OUTLET BOX IN YOUR HOME BE PROPERLY GROUNDED.
4. Connect both hot wires (smooth wire) from the fixture to the hot junction box wire from ceiling outlet box (usually BLACK). Fasten together with a plastic wire connector provided and tightly wrap wire connector with electrical tape.
5. Repeat this procedure for the neutral wires (ribbed wire) from the light fixture to the wire from ceiling outlet box (usually WHITE). DO NOT REVERSE THE HOT AND NEUTRAL CONNECTIONS OTHERWISE SAFETY WILL BE COMPROMISED.
6. Push the wire nuts into outlet box.
7. Attach fixture base (D) to mounting plate (A) and secure with base screws (C).
8. Remove socket ring (E) from socket (F), place shade (G) onto the threaded section of socket (F) and secure with socket ring (E).
9. Insert light bulb into the socket.