

RLF-5315

5" LED SQUARE EGDELIT INDIRECT RECESSED DOWNLIGHT



Fixture Type
Project
Notes



RLF-5315



RLF-5315-WH complete set

LED Edgelit Indirect Recessed Downlight series is designed for residential and commercial applications. Its hidden light source bounces off the interior dome to emit a diffused soft functional light. One-piece die cast aluminum trim and heat sink construction ensures longevity of the LED with White integral dome and Plug-and-Play Remote Driver included. With an ultra shallow profile of merely 2" deep coupled with IC and Airtight rating, this Indirect Downlight is perfect for tight spaces such as soffits, insulated and suspended ceilings as well as installations directly below ceiling joists. The fixture installs flush to ceiling with no Housing required for Remodel applications and New Construction Mounting Frame is optional. It is Triac dimmable.



SPECIFICATIONS

INPUT VOLTAGE	120V AC
WATTAGE	15 W
LUMENS	900 Lm
EFFICACY	60 Lm/W
CRI	90+
BEAM ANGLE	110°
DIMMING ¹	TRIAC
CUT-OUT	6-3/16" x 6-3/16"

RATINGS	IC, Airtight
ENVIRONMENT	Indoor - Dry
CERTIFICATIONS	cETLus T24 JA8 only for 30K, 35K, 40K
LUMEN MAINTENANCE	50,000 hours
INCLUDES	Integrated white dome and remote driver
OPTIONAL	5" square frame for new construction
WARRANTY ²	5 years

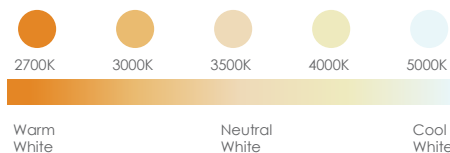
¹ Effectively dim down to 10%

² See published warranty terms for detailed information

PERFORMANCE

CCT selectable via switch on heatsink

COLOR TEMPERATURE ³	LUMEN ⁴	WATTAGE	EFFICACY	CRI
2700K	900 Lm	15 W	60 lm/W	90+
3000K*	900 Lm	15 W	60 lm/W	90+
3500K	900 Lm	15 W	60 lm/W	90+
4000K	900 Lm	15 W	60 lm/W	90+
5000K*	900 Lm	15 W	60 lm/W	90+



^{3&4} CCT within +/-10%

*Consult factory

ORDERING INFO

Light Engine with LED

	MODEL RLF-5315	CCT / CRI	TRIM WH WH - White
		2700 - 2790K / 90 CRI*	
		3000 - 3090K / 90 CRI (JA8)	
		3500 - 3590K / 90 CRI (JA8)	
		4000 - 4090K / 90 CRI (JA8)	
		5000 - 5090K / 90 CRI*	

*Consult factory

OPTIONAL ACCESSORY

(Sold separately)



MODEL RLF-53F
5" square aperture new construction frame with snap-on locations for the fixture and junction box

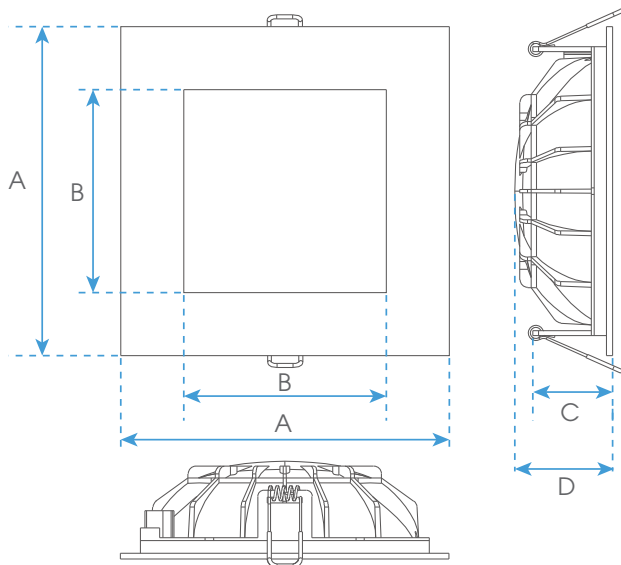
RLF-5315

5" LED SQUARE EGDELIT INDIRECT
RECESSED DOWNLIGHT



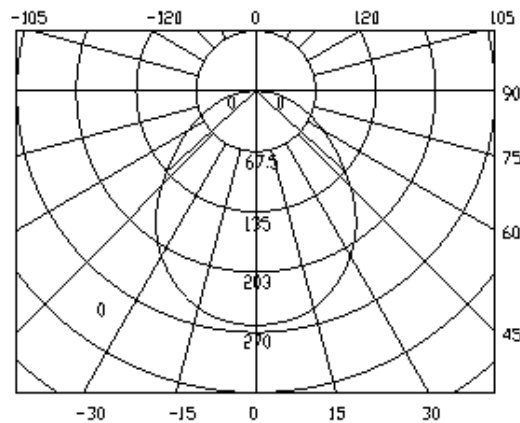
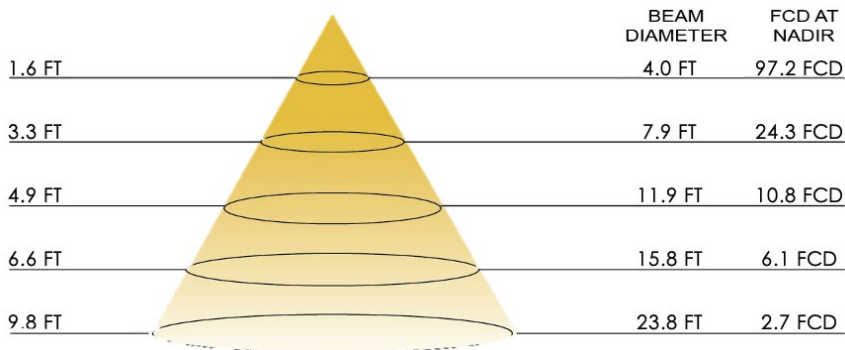
Fixture Type
Project
Notes

TECHNICAL DRAWING



DIMENSIONS		
A	6-3/4"	171 mm
B	4-3/4"	121 mm
C	1-3/8"	35 mm
D	2"	51 mm

PHOTOMETRIC DATA



COMPATIBLE DIMMERS

COOPER	SI06P
LEVITON	6621, 6672, IPL06-10Z
LUTRON	PD-6WCL, DVCL-153P, SFTU-5A3P, DMD-LE3-D, CTCL-153P, DV-600P