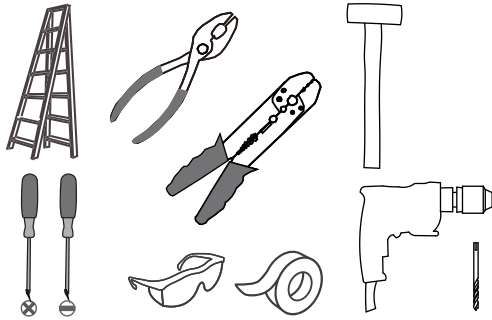
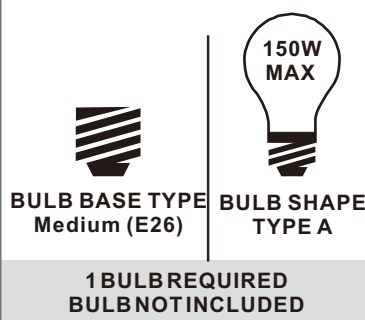


**Tools Required**



**Light Source**



**⚠ Warnings and Cautions**

This fixture is not intended to be mounted on the ground. The fixture must be elevated per local building codes.

Turn off the electricity at the circuit breaker before installation. Consult a licensed electrician if in doubt about installation.

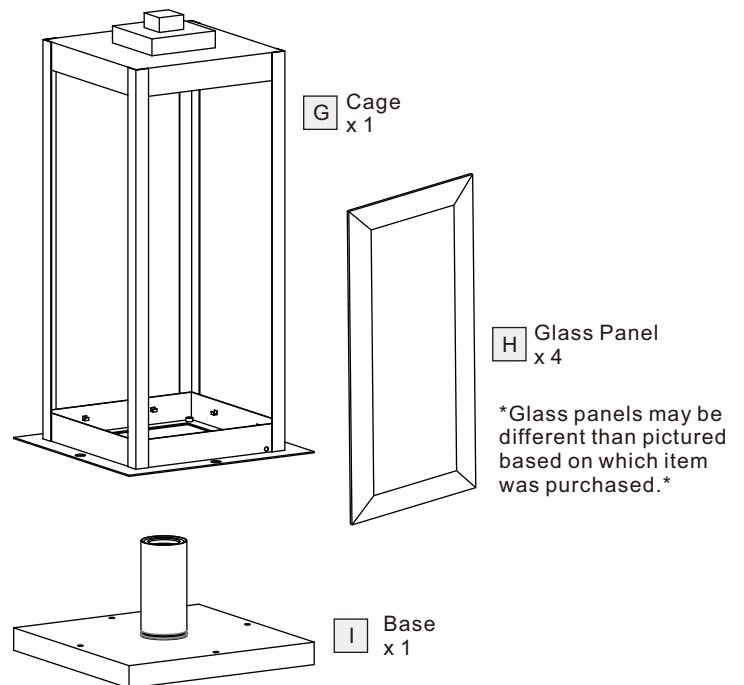
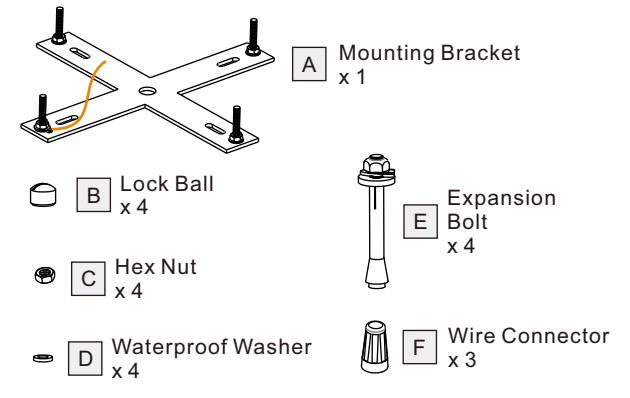
Turn off power to the fixture and allow the bulbs to cool before replacing.

**Package Contents**

**Preparation:** Identify and inspect all parts before beginning the installation.

Missing or damaged parts? Contact your original place of purchase.

**PARTS BAG**



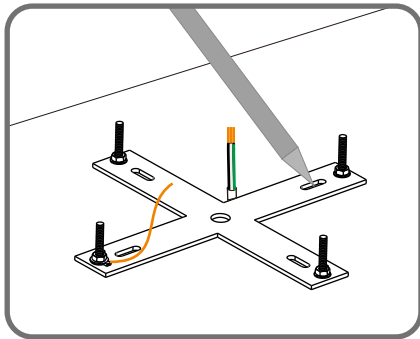
**Table of Contents**

Mounting Bracket	Wiring	Base	Glass Panel	Bulb	Fixture Body	Caulk
STEP 1	STEP 2	STEP 3	STEP 4	STEP 5	STEP 6	STEP 7

# STEP 1

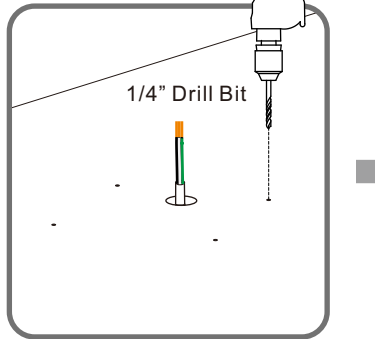
1

Mark mounting location



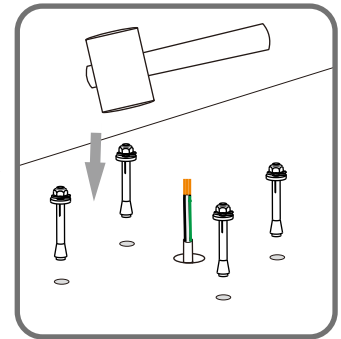
2

Drill Hole

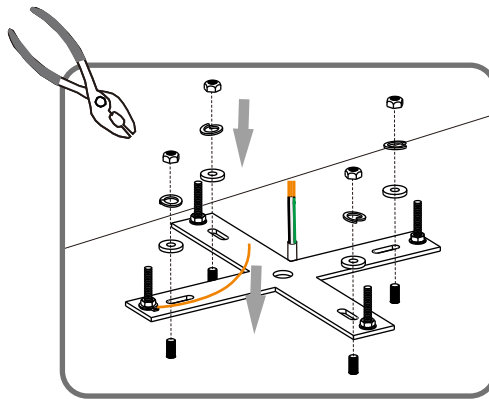
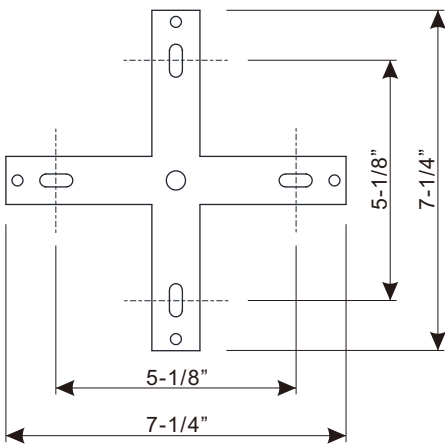


2

Install Expansion Bolt



DIMENSIONAL DRAWING

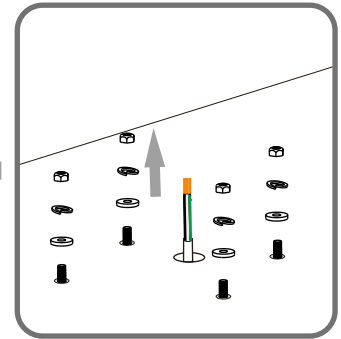


Install Mounting Bracket

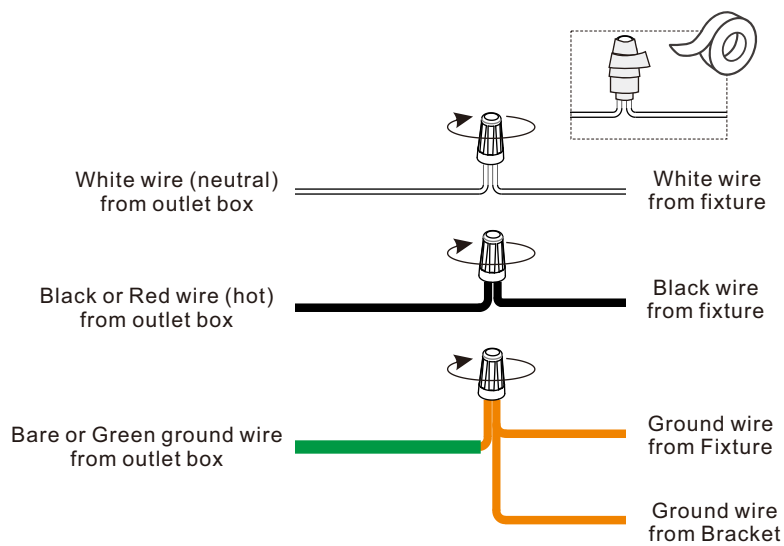
5

4

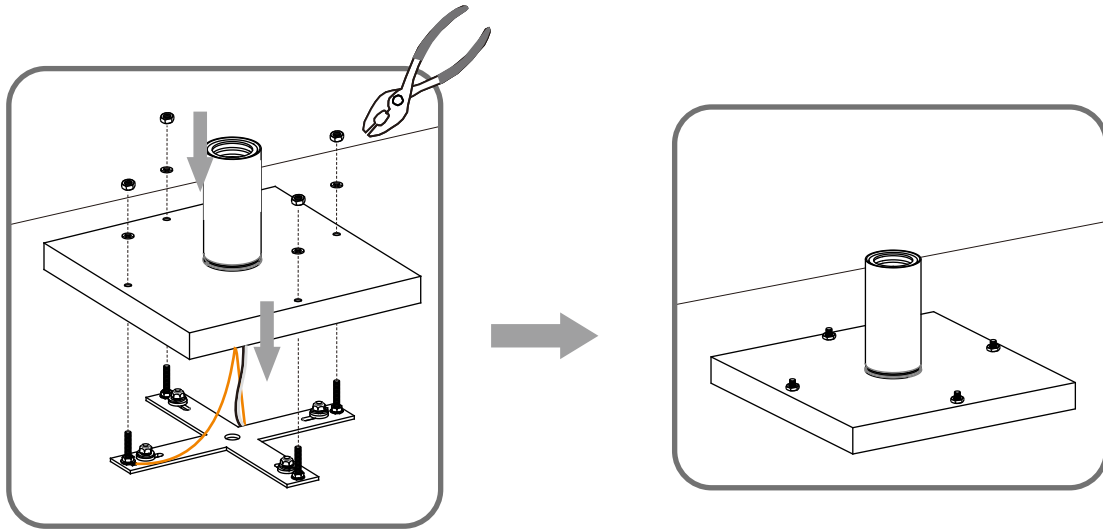
Remove Lock Nut and Washers



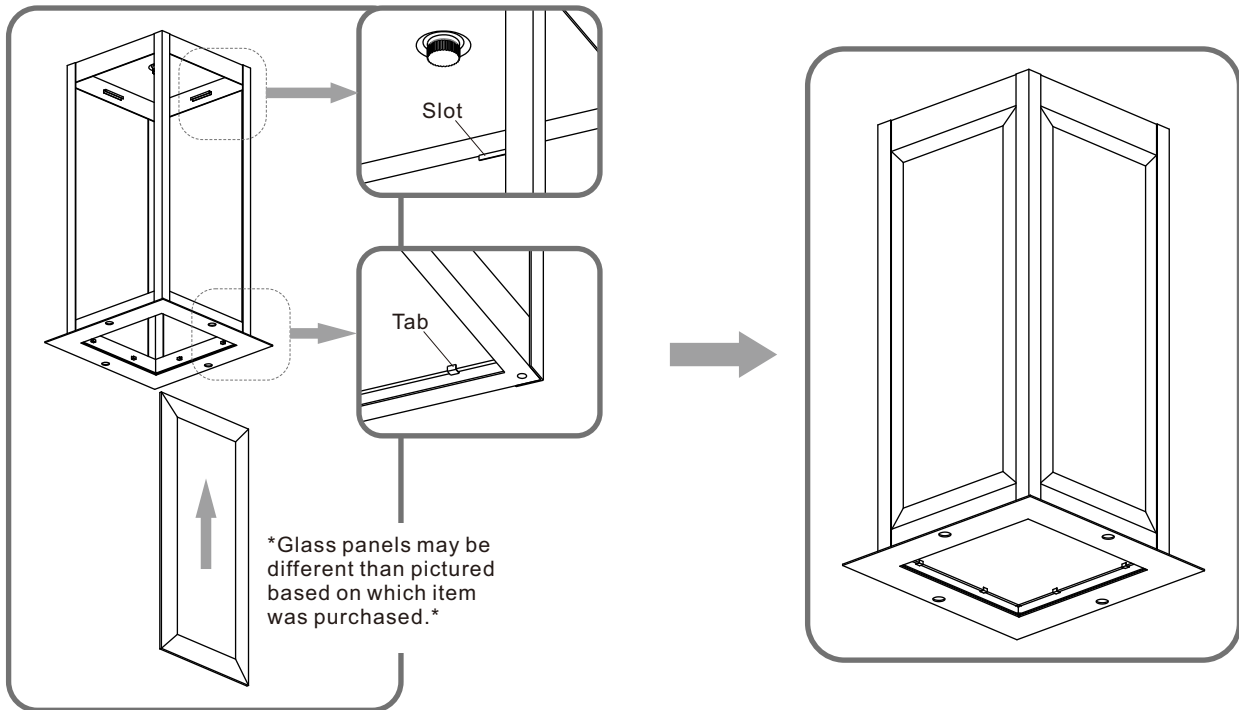
# STEP 2



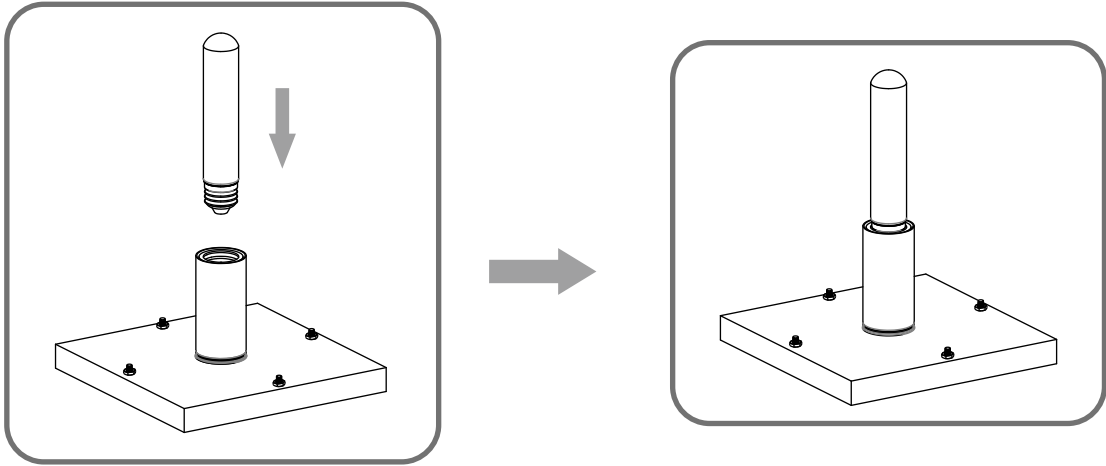
### STEP 3



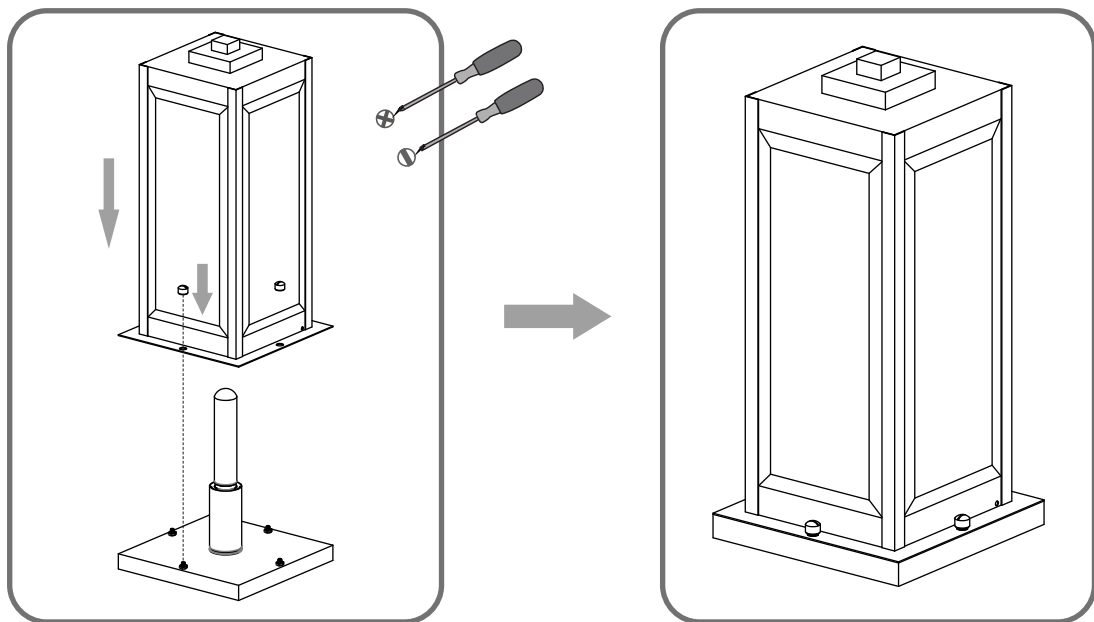
### STEP 4



**STEP 5**



**STEP 6**



**STEP 7**

