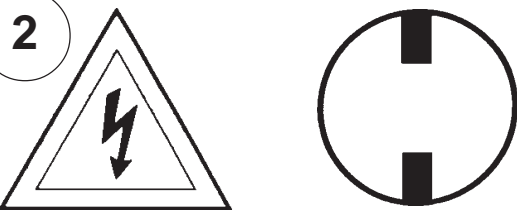


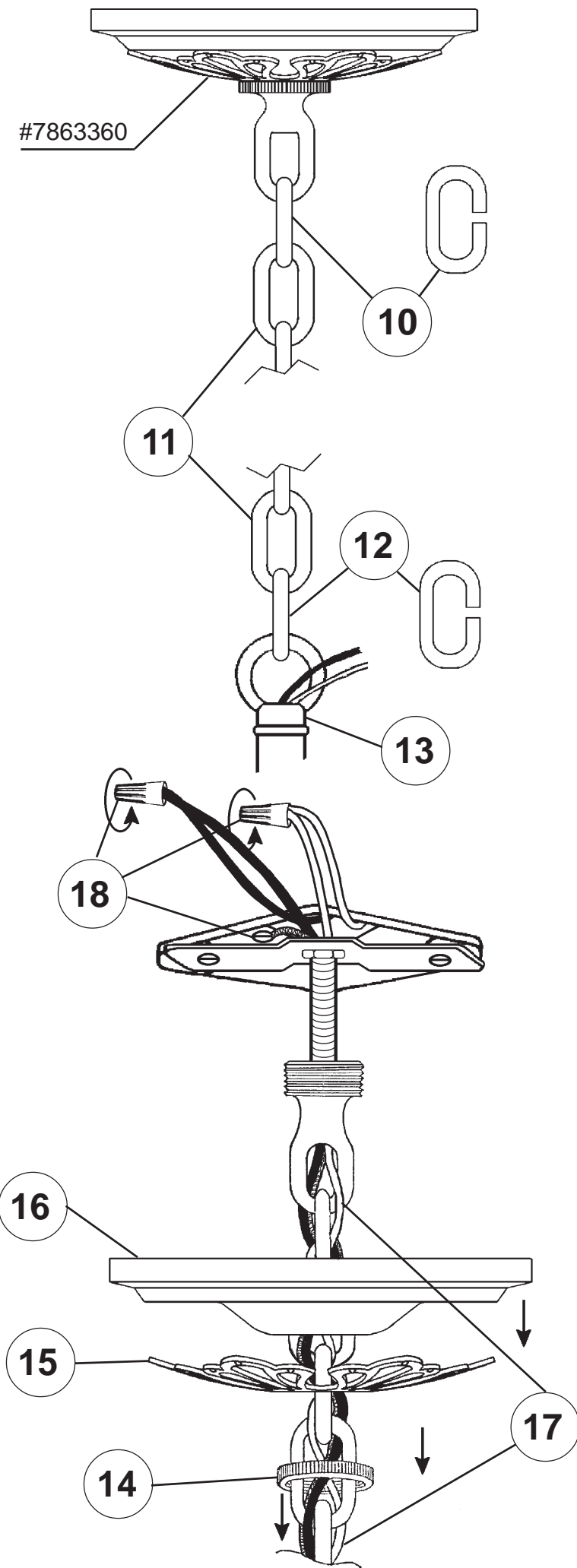
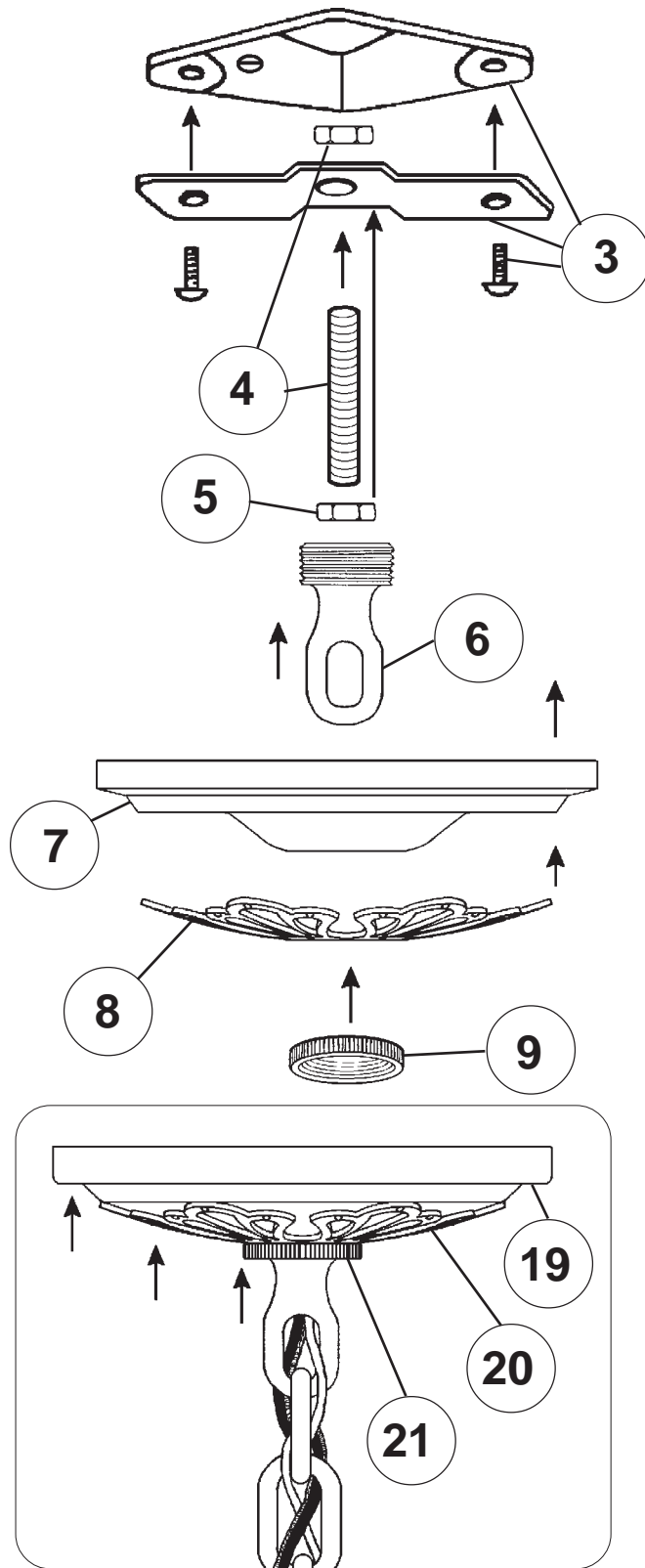
**Instructions for electrician**  
**STEPS 2 - 21**

**WARNING:**

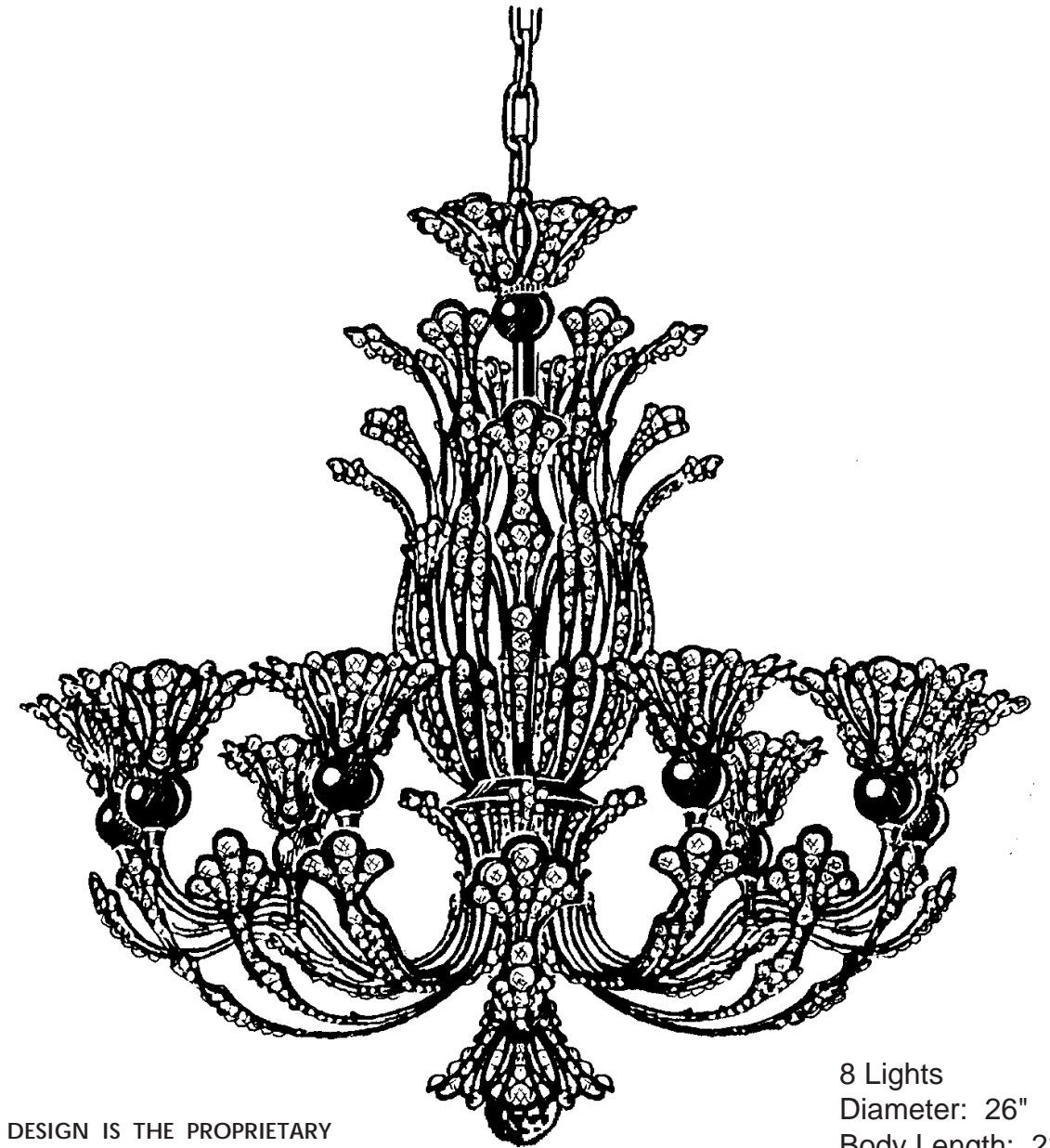


**Electrical Danger Turn Power Off**

All electrical components must be installed by a licensed electrician in accordance with the National Electric Code and the appropriate local electrical codes.



**CHANDELIER 7863- \_\_\_\_\_ S TRIM DIAGRAM**  
(Finish Option)



8 Lights  
Diameter: 26"  
Body Length: 23"  
Hanging Weight: 14-1/2 lbs.

**T**HIS DESIGN IS THE PROPRIETARY TRADE DRESS/TRADEMARK OF SCHONBEK WORLDWIDE LIGHTING INC.

**SCHONBEK®**

**See diagram on back page**  
**Follow steps in exact order**  
**Save this trim diagram for future reference**

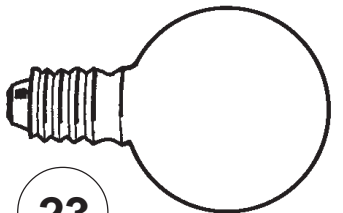
**IMPORTANT**  
**1** Person who opens carton should record the following information for future service.  
CODE # \_\_\_\_\_ Four-digit number on outside of carton.  
PACKER # \_\_\_\_\_ See crystal package label.  
ORDER # \_\_\_\_\_ See crystal package label.

SCHONBEK IS A WORLD LEADER IN CHANDELIER DESIGN. PATENTS INCLUDE:  
#D389,264, #D397,494, #D397,495 & #D435,686

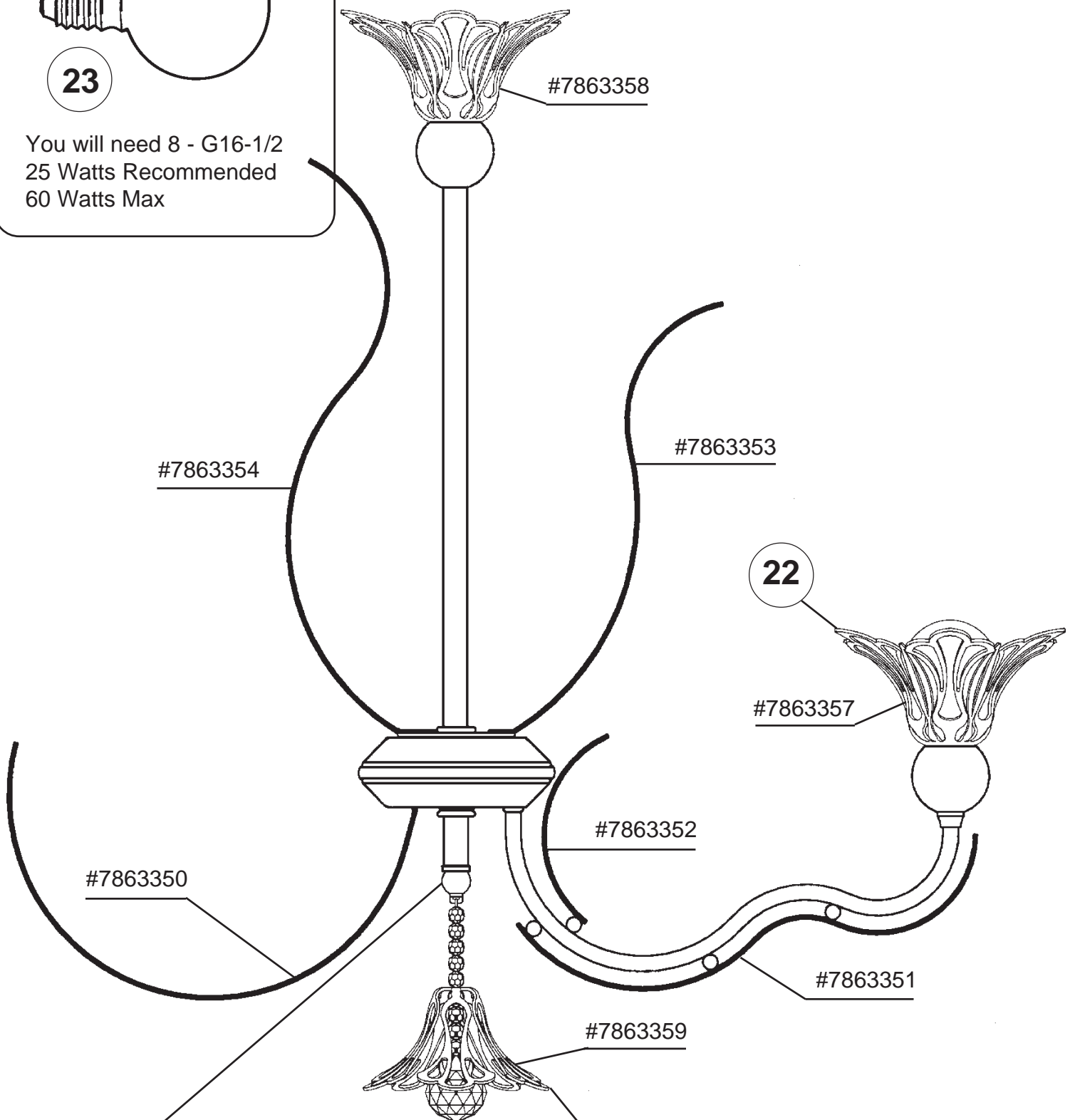
# Instructions for crystal trimming

## STEPS 22 - 25

**23**



You will need 8 - G16-1/2  
25 Watts Recommended  
60 Watts Max



### PART NUMBERS FOR SPARE PARTS

N1310, N1389, N1309, N1316, N1313, N1313, #7863350

N1317, N1390, N1388, N1314, #7863351

N1312, N1311, N1322, #7863352

N1300, N1322, N1302, N1303, N1303, #7863353

N1300, N1322, N1302, N1303, N1303, #7863354

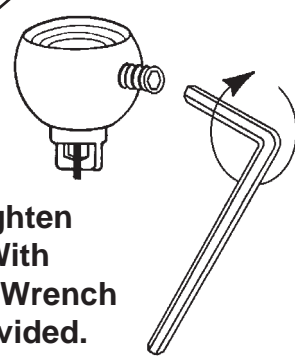
N1318, N1319, #7863357

N1318, N1319, #7863358

N1305, N1306, N1308, #7863359

N1307, N1308, #7863360

**25**



Tighten  
With  
Allen Wrench  
Provided.

**24**  
N233

