

INSTALLATION INSTRUCTIONS

Item# 5831-596-L

READ AND SAVE THESE INSTRUCTIONS

WARNING! SHUT POWER OFF AT FUSE OR CIRCUIT BREAKER.

AVERTISSEMENT! COUPER LE COURANT AU NIVEAU DES FUSIBLES OU DU DISJONCTEUR.

HANGING THE FIXTURE (Fig. 1)

1. Shut off power at the fuse box or circuit breaker box and remove the old fixture including the mounting hardware.
2. Carefully unpack your new fixture and lay out all the parts in a clear area. Take care not to misplace any small parts necessary for installation.
3. Thread two screws (A) into the predrilled holes of crossbar (B) spaced the same distance apart as the holes on canopy (D). The length of screw (A) into crossbar (B) may be adjusted if necessary.
4. Secure crossbar (B) to junction box (M) (Not included) using mounting screws (K) (Size:#8-32N*25mmL) provided. The side of crossbar (B) marked "GND" must face out.

CONNECTING THE WIRES (Fig. 2)

5. Connect the electrical wires as shown in (Fig.2), making sure that all wire connectors are secured. If your junction box has a ground wire (green or bare copper), connect the fixture ground wire to it. Otherwise, connect fixture ground wire directly to crossbar (B) using green screw provided.
6. After wires are connected, tuck them carefully inside junction box.

FINISH THE INSTALLATION (Fig. 1)

7. Slide canopy (D) over protruding screws (A) from canopy (D) and secure with nuts (E).
8. Thread stem (N) into coupling on fixture body with nut provided.
9. Remove Screws (H) from the bottom of stem (N), align holes in glass (F) and metal washer (G) with stem (N) and secure in place with screws (H). Do not over tighten.
10. Attach Diffuser (I) to stem (N) and lock into place with shade cap (J).

Your installation is complete now. Return power to the junction box and test the fixture.

Replacing LED module (Fig.3)

The LED module can be replaced by a qualified electrician without cutting of wire and without damage to any decorative element to which the fixture is attached. See installation steps for more details (Fig 3.)

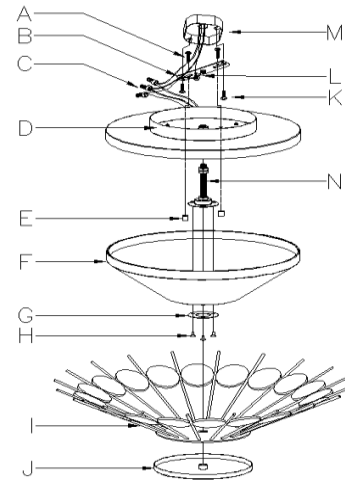
- a. Shut off the power.
- b. Loosen shade cap (J) and diffuser (I). Remove screws (H), metal washer (G) and glass (F). Remove screw Stem (N) form canopy (D).
- c. To remove fixture from ceiling, loosen nuts (E) and canopy (D) from crossbar (B). Disconnect wire connectors and place canopy (D) on a clean surface.
- d. Loosen screws (R) and remove lamp shade (Q). Remove LED module from canopy (D).
- e. Reverse steps b-d for installing new LED module.

Note: Illustration (Fig.1) on this manual is for installation purposes only. It may or may not be identical to the fixture purchased.

IMPORTANT: FIXTURE SHOULD BE INSTALLED BY A QUALIFIED ELECTRICIAN TO ENSURE PROPER WIRING AND INSTALLATION.

Dimmable with ELV and/or LED compatible wall dimmer switches.

Fig. 1



Set# A-010
-Crossbar
-Ground Screw
-Mounting Screw *2

Fig. 2

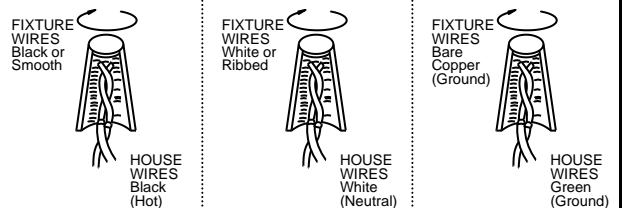


Fig.3

