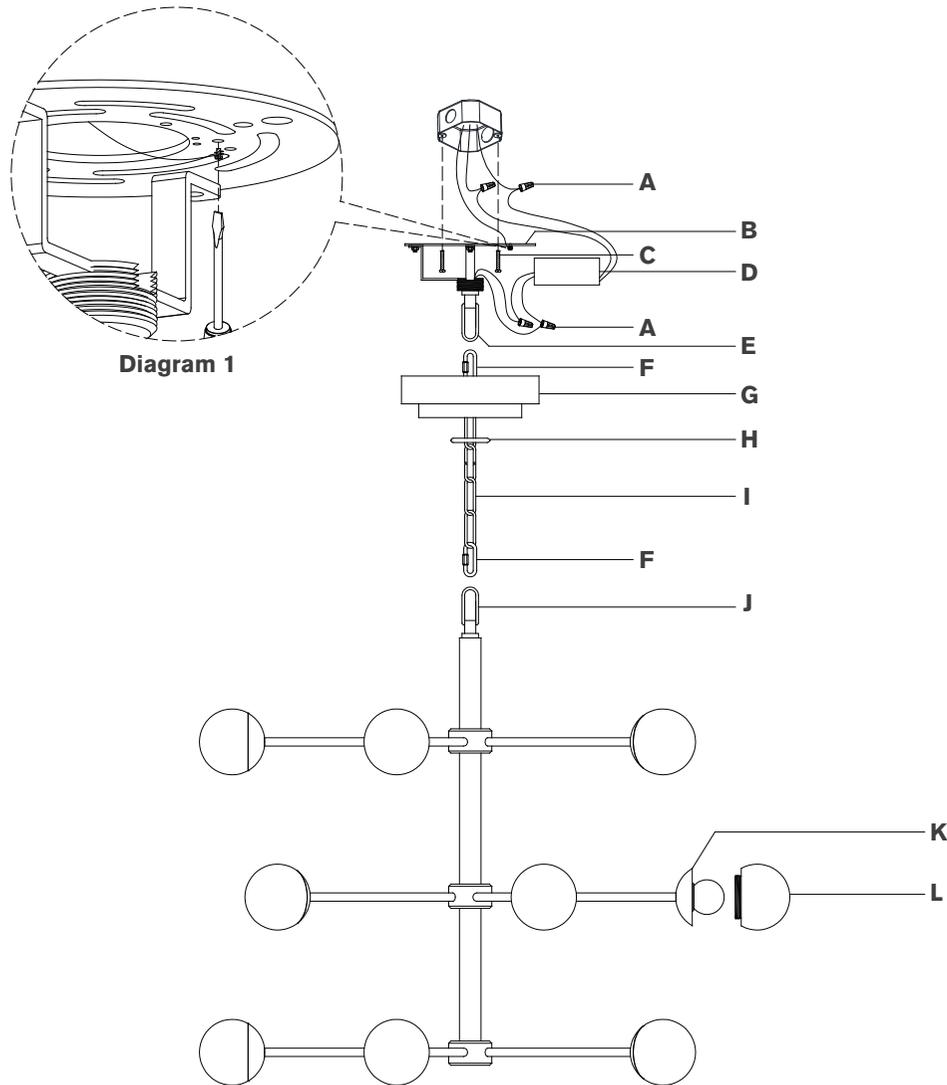


## ASSEMBLY INSTRUCTIONS



## Alloway Small Barrel Chandelier

Item # KS 5230

### NOTICE:

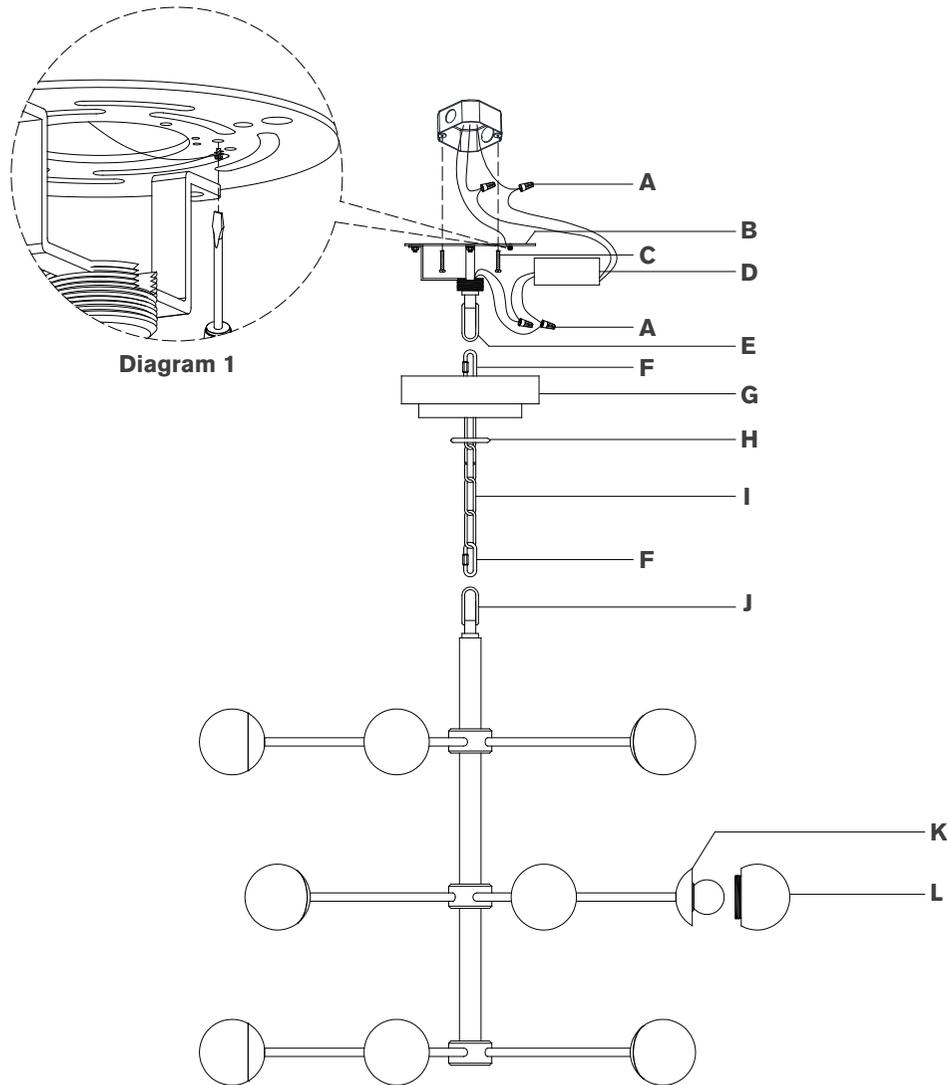
This light fixture should be installed in accordance with all applicable, local installation codes, and by a person familiar with the construction and operation of it, as well as the hazards involved. Inspect item and contents carefully. If any damage or defect is found, do not install. Retain all packaging material until installation is complete and approved.

### TOOLS REQUIRED (NOT INCLUDED):

Phillips Screwdriver	Slotted Screwdriver	Chain Pliers
Slip Joint Pliers	Measuring Tape	Wire Cutters
Wire Strippers		

- Carefully remove all parts from the box. Place on a clean, soft surface.
- Remove mounting plate **(B)** from canopy **(G)** by removing collar ring **(H)**.
- Install mounting plate **(B)** to the junction box and secure with mounting screws **(C)**.
- Install canopy **(G)** to mounting plate **(B)** and secure with collar ring **(H)**.
- Determine desired overall length and amount of chain **(I)** needed. Shorten chain using chain pliers. (Keep extra chain)
- Attach chain **(I)** to collar loop **(E)** and fixture loop **(J)** using quick links **(F)**. Secure quick links **(F)**.
- Thread fixture wire through chain **(I)**.  
**NOTE:** When you reach the collar loop **(E)**, ensure there is no tension on the wires. Cut excess wires, being sure to leave about **12"** to connect driver **(D)**.
- Separate two sides of molded wire and strip insulation on each 5/8".
- Loosen collar ring **(H)** and let canopy **(G)** slip down chain **(I)** carefully.
- Twist all fixture wires together. Slip through center hole of collar loop **(E)**.
- Connect supply ground wire (usually green or bare copper) around the green grounding screw (see diagram 1). Tighten.  
**NOTE:** It is imperative that the fixture is grounded.

## ASSEMBLY INSTRUCTIONS



## Alloway Small Barrel Chandelier

Item # KS 5230

### NOTICE:

This light fixture should be installed in accordance with all applicable, local installation codes, and by a person familiar with the construction and operation of it, as well as the hazards involved. Inspect item and contents carefully. If any damage or defect is found, do not install. Retain all packaging material until installation is complete and approved.

12. Connect driver **(D)** input neutral wire (white) to the supply neutral wire (usually white) using wire nut **(A)**.
13. Connect driver **(D)** input hot wire (black) to the supply hot wire (usually black) using wire nut **(A)**.  
**CAUTION:** Do not reverse the hot and neutral connections.
14. Connect fixture neutral wire (black) to driver **(D)** output wire (black) using wire nut **(A)**.
15. Connect fixture hot wire (red) to driver **(D)** output wire (red) using wire nut **(A)**.  
**CAUTION:** Do not reverse the hot and neutral connections.
16. Make sure all wire connections are tight and tuck into the junction box.
17. Insert driver **(D)** into mounting plate bracket.
18. Install canopy **(G)** to mounting plate **(B)** and secure with collar ring **(H)**.
19. Thread glass shades **(L)** to sockets **(K)**.  
**NOTE:** Do not overtighten otherwise shade could become damaged.

**Care Instructions:** Clean only with a soft dry cloth or feather duster. Do Not use abrasive or chemical agents.