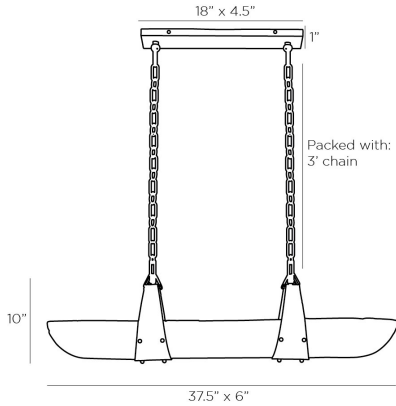


ARTERIOS

MYKONOS PENDANT



89492

H: 13 IN, W: 37.5 IN, D: 6 IN

English Bronze, Clear Seedy Glass

Contract Suitable As Is

In linear, boat-shaped form, the Mykonos, finds balance in rustic and re-fined elements. The elongated concave shade is crafted from clear seedy slump glass and is held by graphite leather harnesses that suspend from English bronze iron chains. Four lights are neatly concealed behind the glass and provide ample illumination. Finish will vary. Additional chain available (CHN-265). Damp-rated, although limited covered outdoor areas may affect finish.

APPEARANCE

Material	English Bronze
Material Type	Iron, Leather, Slump Glass
Finish	Seedy
Finish Will Vary	Clear, English Bronze, Graphite
Top Coat/Sealant	true

DIMENSIONS

Pendant	H: 10 IN, W: 37.5 IN, D: 6 IN
Minimum Hanging Height	13 IN
Maximum Hanging Height	48 IN
Canopy	H: 1 IN, W: 18 IN, D: 4.5 IN

WIRING

Rating	Damp
Cord	7 FT, Black, SVT
Socket	4, Type B - E12
Photographed Bulb	Clear Straight Tip Candelabra Bulb
Maximum Watt	60
Voltage	110-120 V

CERTIFICATIONS

Certifications	Mexico Australia, European Union, United Arab Emirates, United States, Canada
----------------	--

COMPLIANCY

UL/ETL	Yes
CB	Yes
RoHS	true

SHIPPING

Product Weight	19.6 LBS
Gross Weight 1	23 LBS
Shipping Box 1	H: 11.8 IN, L: 24 IN, W: 19 IN
Shipping Box 2	H: 0 IN, L: 0 IN, W: 0 IN
Shipping Box 3	H: 0

REPLACEMENT PARTS

Replacement Part 1	CHN-265
Replacement Part 1 Dim	3'
Replacement Part 2	CANOPY-587
Replacement Part 2 Dim	1" x 18" x 4.5"

CONTRACT

Contract Suitable	true
-------------------	------