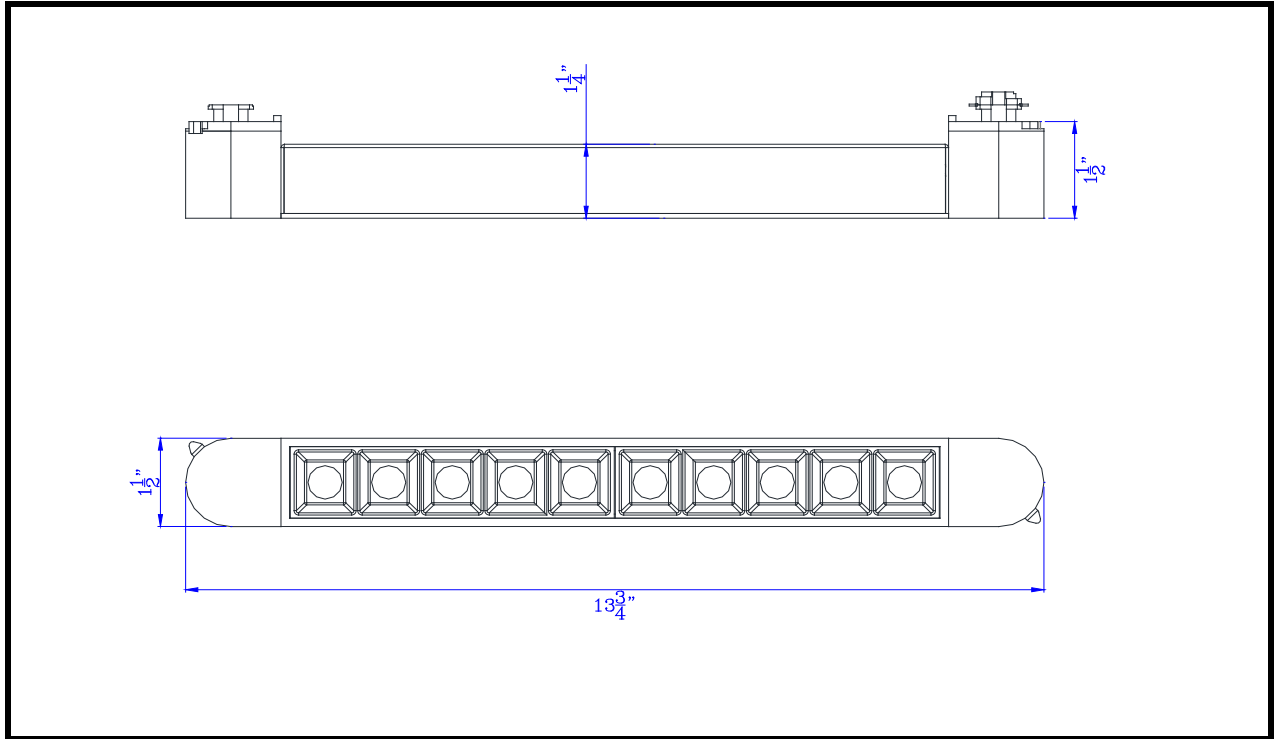




CAL LIGHTING

3625 E. Philadelphia St. Ontario CA. 91761 • Tel: 909.947.5200 • Fax:
909.947.5673 • www.calighting.com • service@calighting.com •
Specifications subject to change without notice

Type: _____
Project: _____
Catalog No.: _____
Lamp/Wattage: _____



- Model No. :** HT-812S
Description: Dimmable Integrated LED Track Fixture, wall washer
Material: Metal
Finish : White
Rotation :
Capability : +/-60 degree from horizontal
Voltage : 120V
Wattage : 19W
Dimming: Dimmable,DVCL-153P/SCL-153P/AYCL-153P/CTCL-153P/DVCL-253P/
GT-150/GTJ-250M (ALL ARE LUTRON BRAND)
Color Temp: 3000K
Lumen : 1040
CRI : 85
Beam: 34
Efficacy: 55
Rated Life : 30,000 hours
Warranty: Three Years
Certificate :

