

INSTALLATION INSTRUCTION FOR 5298

WARNING! SHUT POWER OFF AT FUSE OR CIRCUIT BREAKER .
AVERTISSEMENT! COUPER LE COURANT AU NIVEAU DES FUSIBLES OU DU DISJONCTEUR.

READ AND SAVE THESE INSTRUCTIONS

PREPARATION

1. Shut off the power at the fuse box or circuit breaker box. If necessary, remove the old fixture and all mounting hardware from junction box (not provided).
2. Carefully unpack your new fixture and lay out all the parts on a clear area. Take care not to lose any parts necessary for installation.

ASSEMBLING THE FIXTURE(Fig.1)

3. Install ring (X) onto ring (W), and secure with screws (V).
4. Determine desired hanging height and thread rods (Q, R, S, T) to couplings (U). Then thread loops (P) onto rods (Q). Pass wires carefully through each rod, loop (P) and loop (M) of canopy (L). Use quick links (O) to connect loops (P) and loops (M)

MOUNTING THE FIXTURE (Fig.1)

5. Position hanging bracket (H) through fixing holes onto ceiling and make marks, drill pilot holes for plastic anchors (B) into ceiling, then insert plastic anchors (B) into holes.
6. Secure hanging bracket (H) to junction box (Not provided) with junction box screws (K) (Size: #8-32*0.6"), then secure junction box with wood screws (J) (Size:M5x1.5"L) into plastic anchors (B) in ceiling.

HANGING THE FIXTURE (Fig. 1)

IMPORTANT: For a safe and secure installation, this fixture must be installed by means of support that is independent of outlet box. (Note – For heavy fixtures hickey and cable lock are provided, other required hardware to be supplied by installer).

7. Install a 1/4" IPS pipe (A) (Not provided) with one end securely mounted to a beam of a structural member. The other end should protrude through center of outlet box as shown.
8. Use nut (C) to secure hickey (D) to 1/4" IPS support pipe (Not provided).
9. Tie off the set screw assembly (E) and secure with screws (F). Run the safety cable through the top of outlet box and secure to structure member.

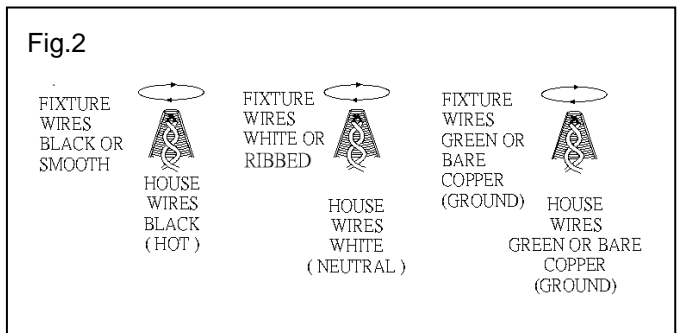
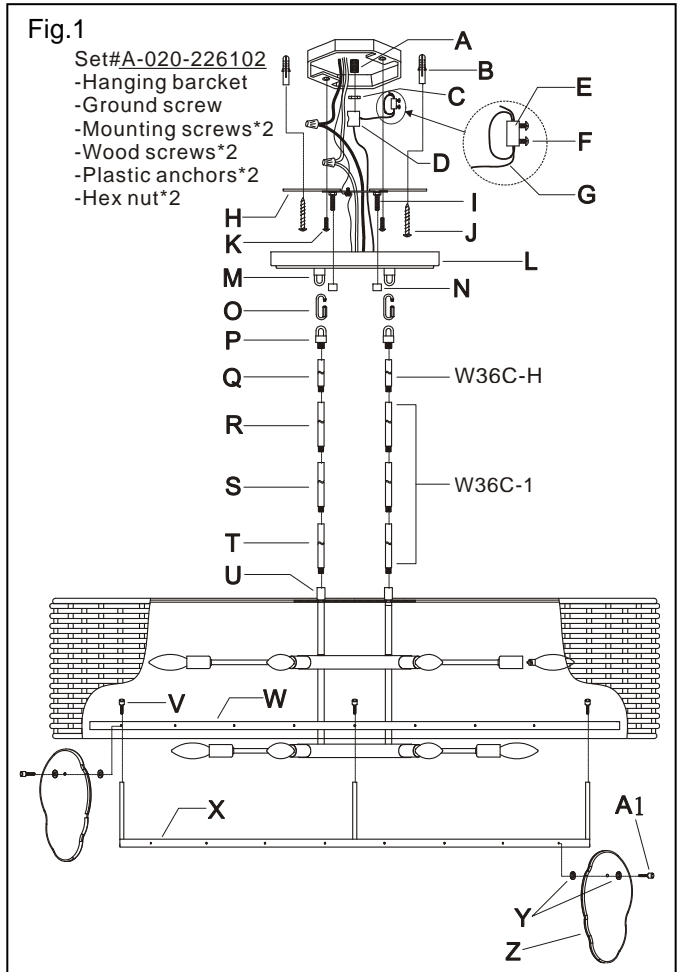
CONNECTING THE WIRES (Fig.2)

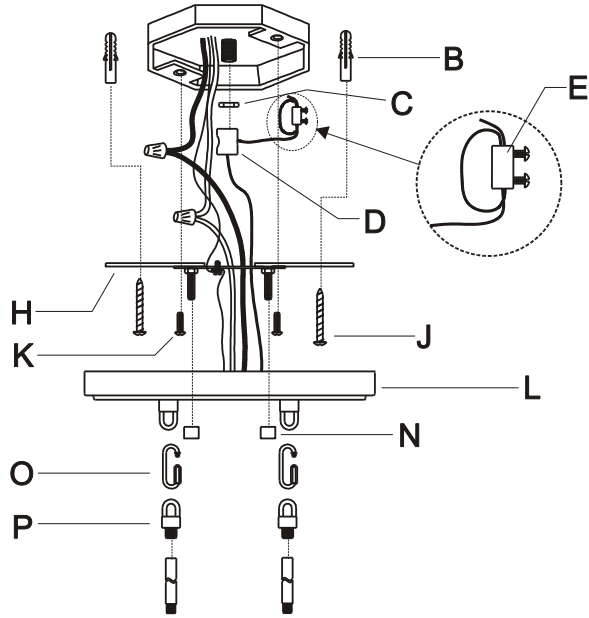
10. Connect the electrical wires as shown in Fig.2, making sure that all wire connectors are secured. If your junction box has a ground wire (green or bare copper), connect fixtures ground wire to it. Otherwise, connect ground wire directly to junction box.
11. Tuck wire connectors neatly into the junction box.

COMPLETING THE INSTALLATION (Fig. 1)

12. Slide the canopy (L) over the mounting screws (I) and secure with the cap nuts (N).
13. Install (12) twelve candelabra base bulbs up to 60 watts each or CFL or LED equivalent (not included) in accordance with the fixture specification. **(DO NOT EXCEED THE SPECIFIED WATTAGE!) (NE PAS DEPASSER LA PUISSANCE NOMINALE MAXIMALE!)**
14. Install the glass plate (Z) onto the metal ring (X, W), then secure with the washer (Y) and screw (A1).

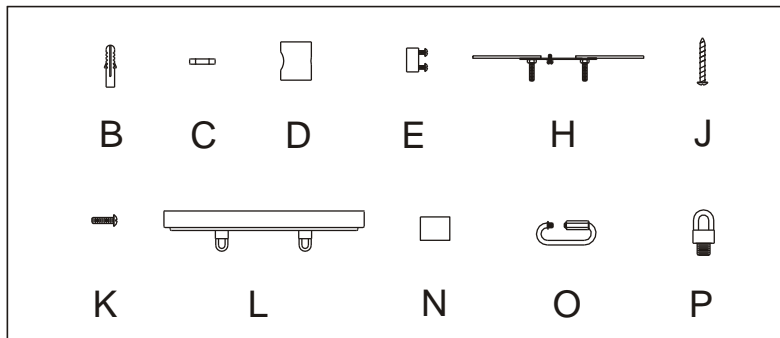
Your installation is now complete. Return power to the junction box (not provided) and test the fixture.





a. Hardware Bag:

- B. Plastic anchors *2
- C. Hex nut *1
- D. Hickey *1
- E. Copper pipe *1
- H. Hanging bracket
- J. Wood screws *2
- K. Junction Box Screws *2
- L. Canopy *1
- N. Cap Nuts *2
- O. Quick link *2
- P. Loop *2



b. Hardware Bag:

- R, S, T. Rod 12" *6
- Q. Rod 6" *2

