

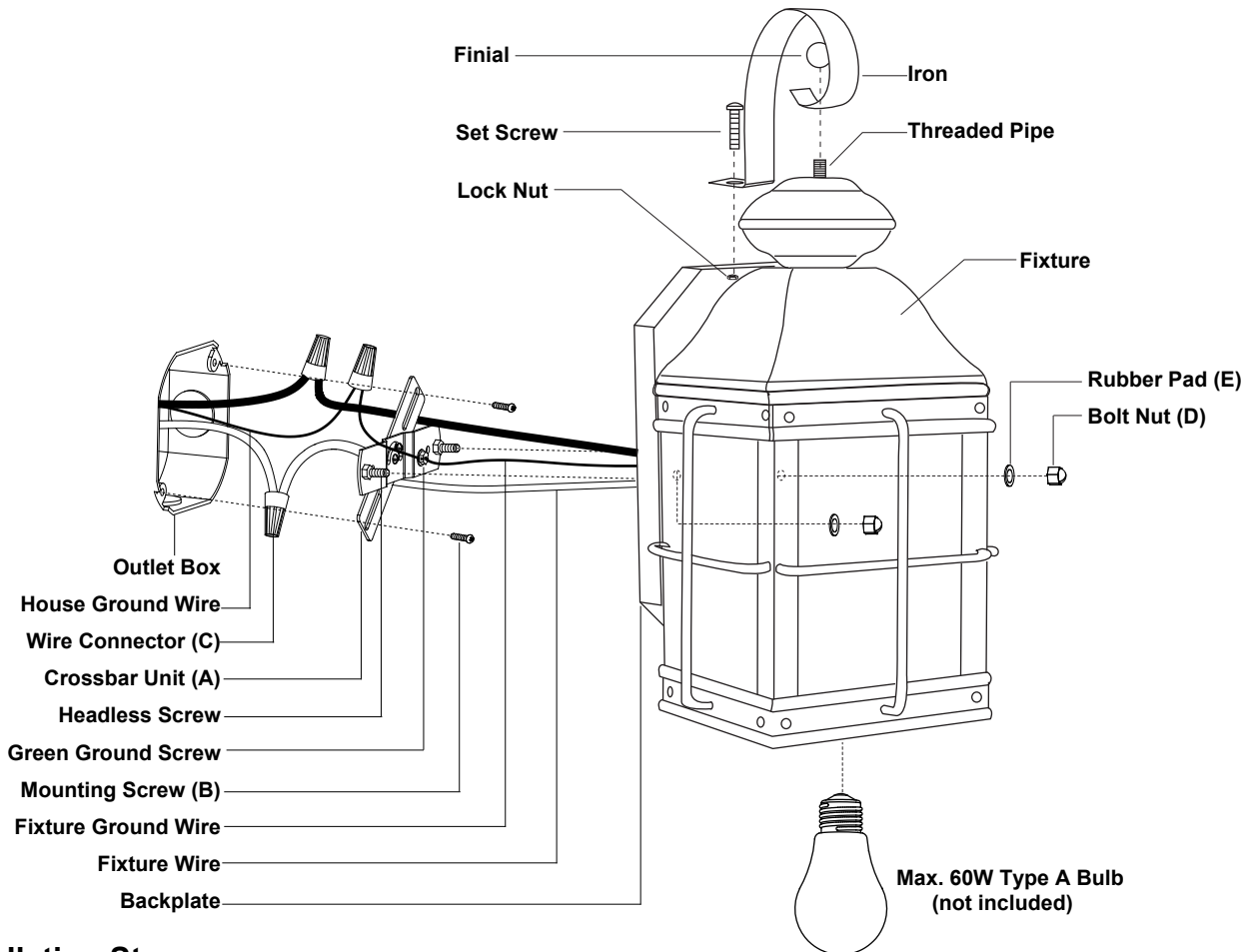
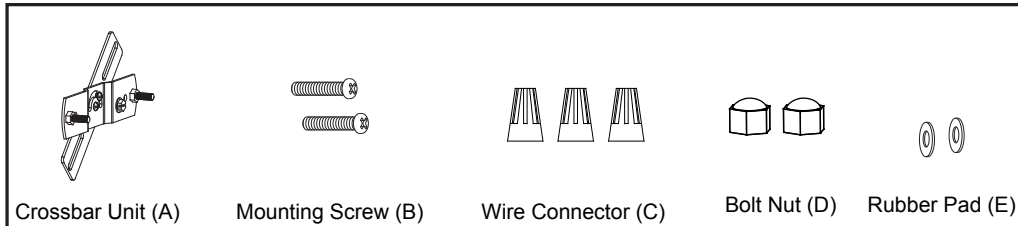
# ASSEMBLY AND INSTALLATION INSTRUCTIONS

OW39573

**WARNING: Turn off the main power at circuit breaker before installing fixture.**  
**AVERTISSEMENT: Coupez la source d'alimentation principale au panneau central de disjoncteurs avant d'installer le luminaire.**

**NOTE: 1. Before installing, consult local electrical codes for wiring and grounding requirements.**  
**2. Read and save these instructions.**

## Hardware Package (included):



## Installation Steps

Turn off the power at fuse or circuit box

1. Unscrew the two bolt nuts (D), remove the two rubber pads (E) and the crossbar unit (A) from the backplate.
2. Slip the cap set and one end of the iron through the threaded pipe and secure them with the finial, then secure the other end of the iron to the backplate by using the set screw and lock nut.

3. Attach the crossbar unit (A) to the outlet box by using two mounting screws (B). Adjust the length of the preinstalled headless screws if necessary.

**Note: Make sure that the headless screws are lined up horizontally to make the fixture level.**

4. Pull out the outlet wires and the house ground wire from the outlet box. Make wire connections by using the wire connectors (C):

--- Connect the black (hot) wire from the fixture to the black (hot) wire from the power source.

--- Connect the white (neutral) wire from the fixture to the white (neutral) wire from the power source.

--- Attach the fixture ground wire to the crossbar unit (A) with the green ground screw, then connect it to the house ground wire with a wire connector (C).

Carefully put the wires back into the outlet box.

5. Attach the backplate of the fixture to the crossbar unit (A) by inserting fixture mounting screws into set holes on the backplate, then secure it with two rubber pads (E) and two bolt nuts (D).

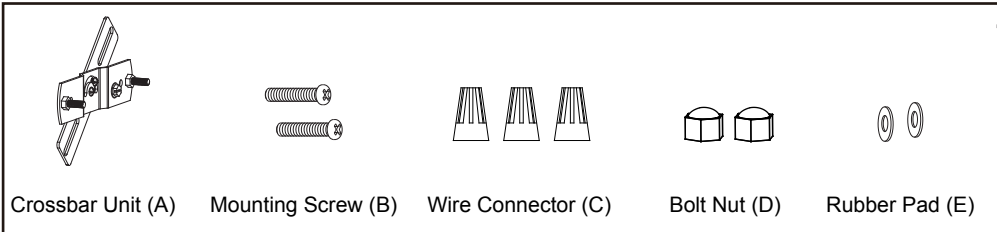
**Note: With silicone caulk compound, caulk completely around where the backplate meets with the wall surface to prevent water from seeping into the outlet box.**

6. Install the bulbs (not included). Check relamping label at socket area or packaging for maximum wattage allowed.

Turn on the power at fuse or circuit box.

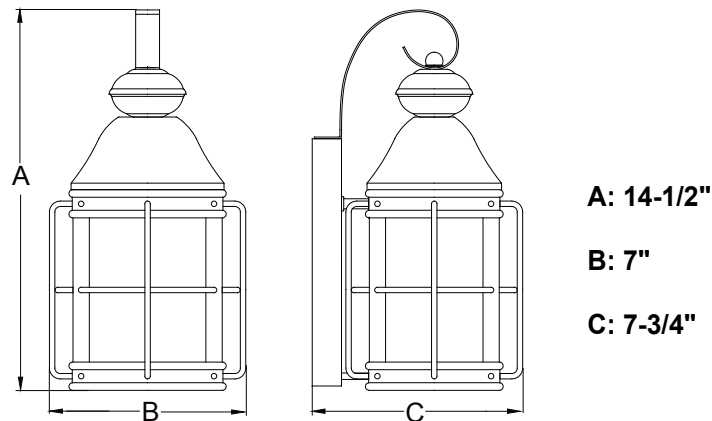
The following parts are available for reorder if damaged or missing.

**Spare Parts List:**



Crossbar Unit (A)    Mounting Screw (B)    Wire Connector (C)    Bolt Nut (D)    Rubber Pad (E)

Mounting Hardware 6756MM (1SET)



**1 Year Warranty**

Vaxcel warrants all of our products against defects in workmanship and finishes for one year following the date of shipment.

*Exclusions: This warranty does not include the failure of products from extreme acts of nature; environmental conditions not suited for the products intended use; operation in temperatures outside of the range specified in the instruction manual; usage with improper power supply, power surges or dips. For coastal locations, some corrosion is considered normal for the environment.*

*Vaxcel reserves the right to repair, replace or issue a credit for any properly installed product, provided it is returned per RMA instruction. This warranty is limited to the cost of the product only and does not extend to transportation, installation or replacement costs.*

How can warranty service be obtained?

info@vaxcel.com

1-800-482-9235