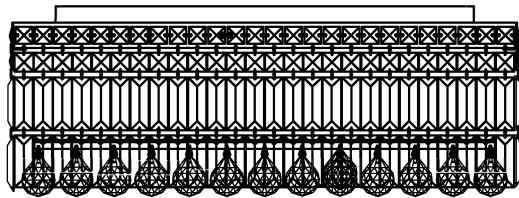


Trade Mark:
CRYSTAL WORLD INC

Product Name: Ceiling lamp
Model :8006C24C-R
120Vac, 60Hz,AC ONLY
Lamp size:Ø20"XH9"

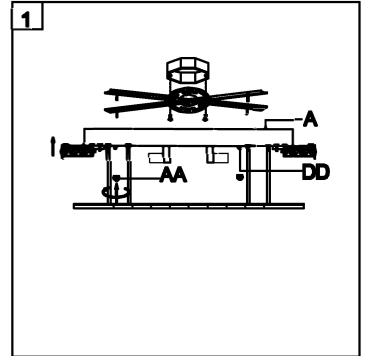


CEILING LAMP ASSEMBLY INSTRUCTIONS

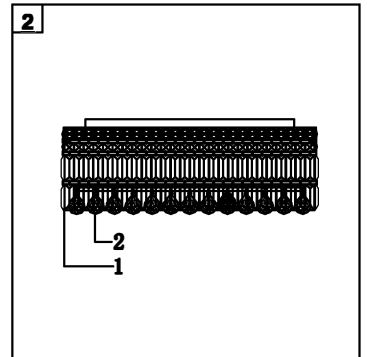
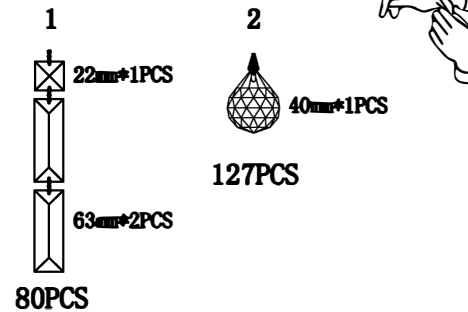
1. Place fixture(A) onto mounting screws (DD).secure with cap nuts (AA).


Hardware Used

AA Cap nut  X 4
DD Mounting screw  X 4



2. Please put the crystal (1) (2) to the fixture .



3. Install light bulbs (not included).
Use bulb  9*40W Max.

