



CAL LIGHTING

3625 E. Philadelphia St. Ontario CA. 91761 • Tel: 909.947.5200 • Fax:
909.947.5673 • www.calighting.com • service@calighting.com •
Specifications subject to change without notice

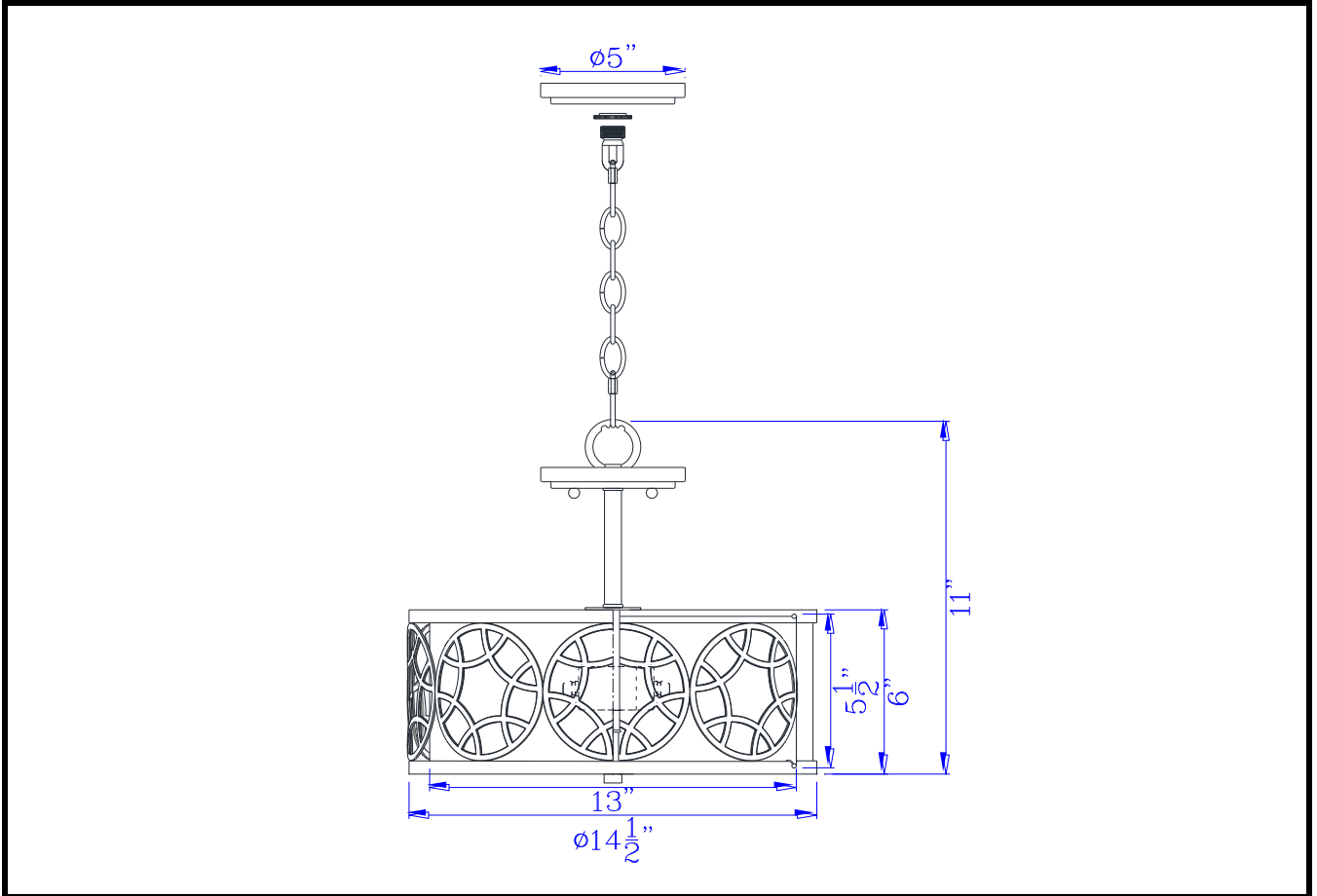
Type: _____

Project: _____

Catalog No.: _____

Lamp/Wattage: _____

Drawing:



- Model No:** FX-3661-2
Description: 60W x 2 Carmel 2 light metal 2 in 1 semi-flush / pendant chandelier
Material: Metal
Finish : Black
Height: 11"
Width: 14 1/2"
Reach: 14 1/2"
Wattage : 60W x 2
Socket : Medium Base (E26)
Bulb: Incandescent,CFL
Chain Length: 6'
Wire Length: 10'
Wire Color: Black
Shade No:
Material: Linen
Shade size: 13x13x5 1/2"

Certificate :

