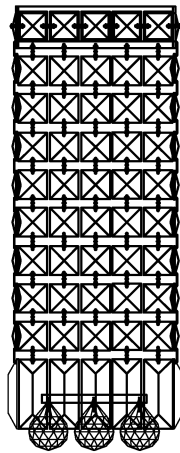


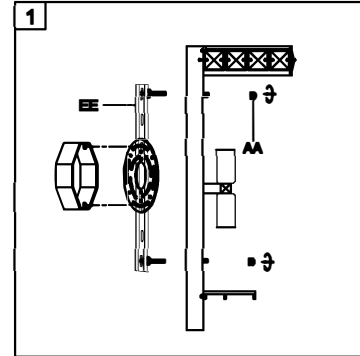
Trade Mark:  
CRYSTAL WORLD INC

Product Name: Wall lamp  
Model :8005W5C  
120Vac, 60Hz,AC ONLY  
Lamp Size:W5"xH12"xE3"



## WALL LAMP ASSEMBLY INSTRUCTIONS

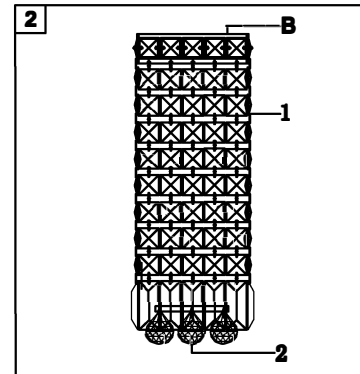
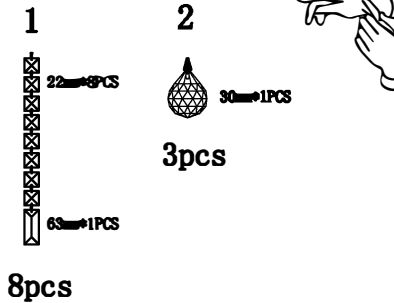
1.Place fixture(A) onto crossbar (EE).  
Secure with cap nuts (AA).



### Hardware Used

AA Cap nut      2      X 2

2.Please hang the crystal(1) (2) to  
the fixture (B).



3.Install light bulbs ( not included).  
Use bulb  
120V E12      2\*40W Max.

