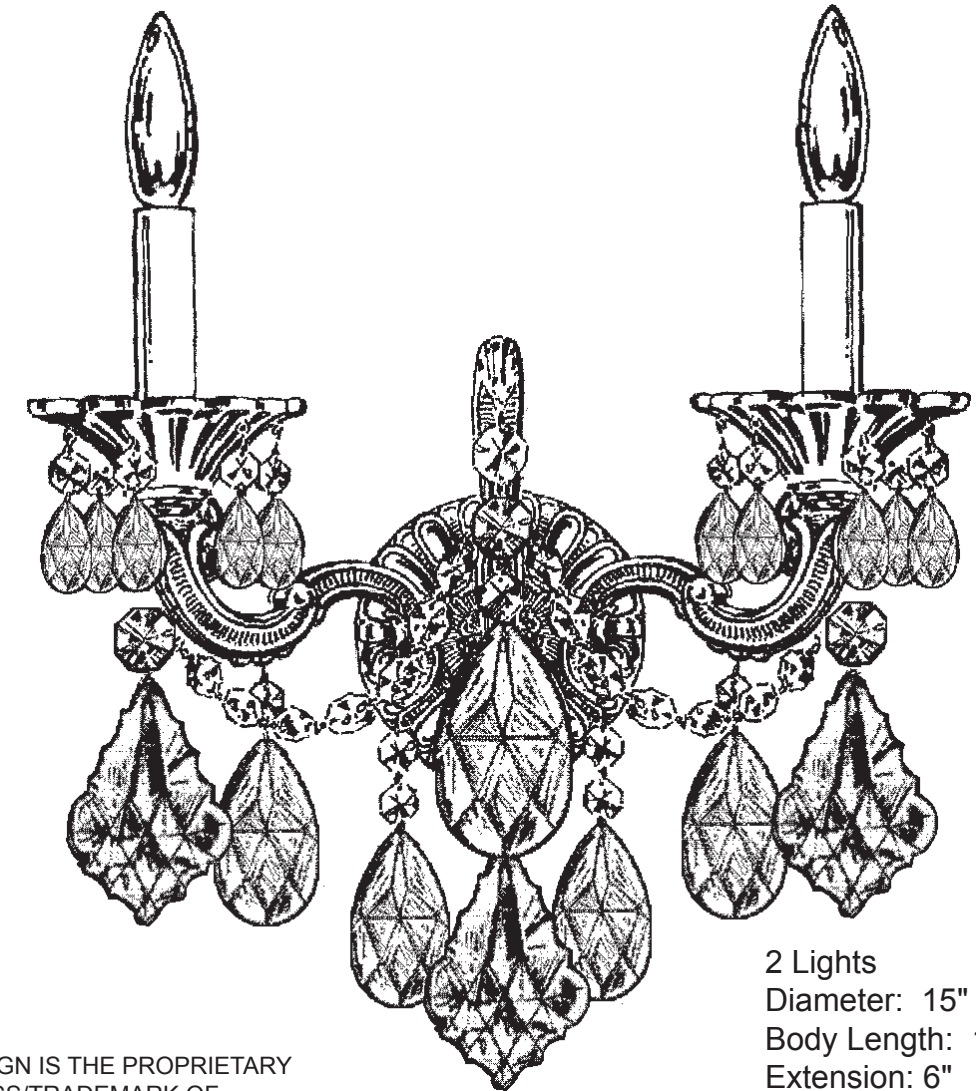




SCHONBEK®

LA SCALA 5001- ___ _A



2 Lights
Diameter: 15"
Body Length: 17"
Extension: 6"
Hanging Weight: 4 1/2 lbs.

THIS DESIGN IS THE PROPRIETARY TRADE DRESS/TRADEMARK OF SWAROVSKI LIGHTING, LTD.

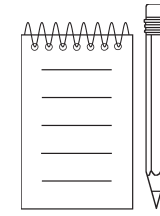
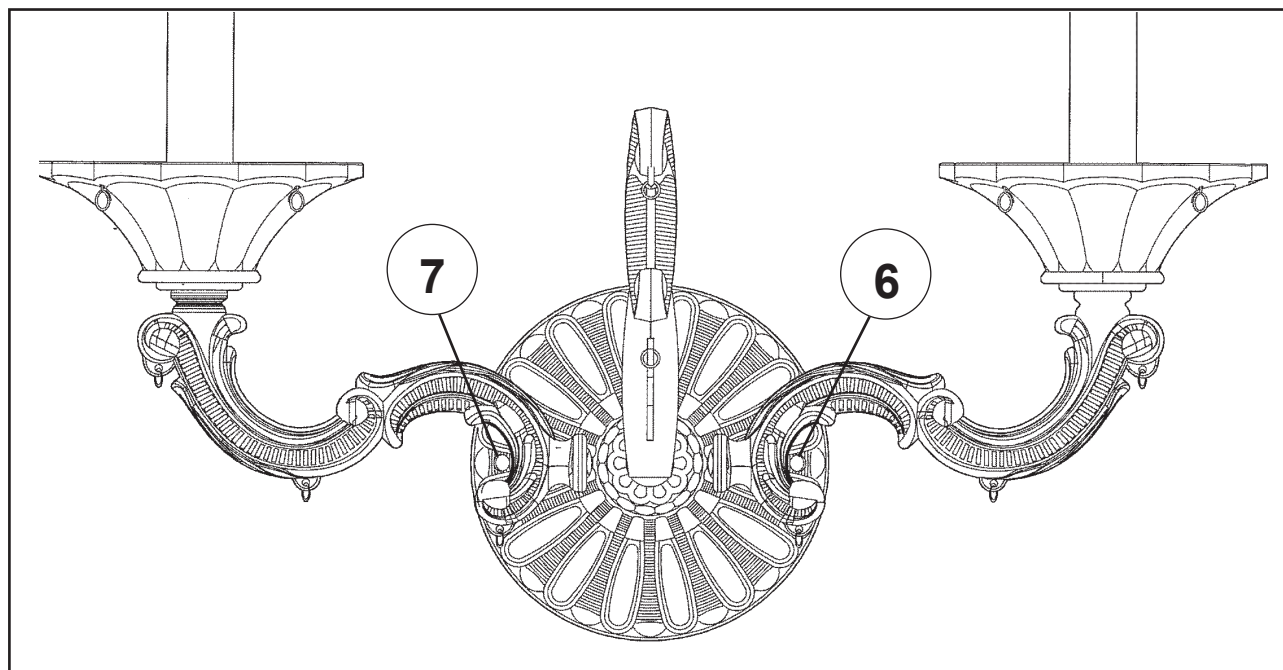
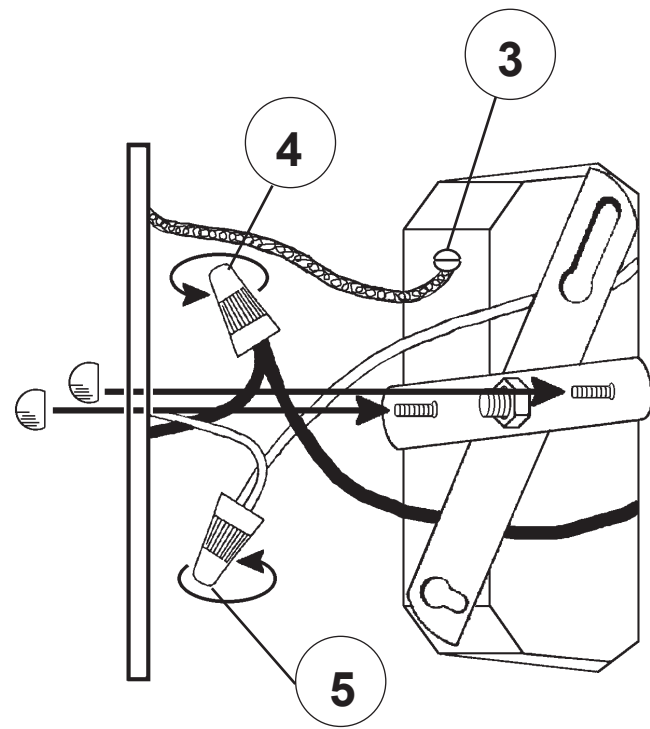
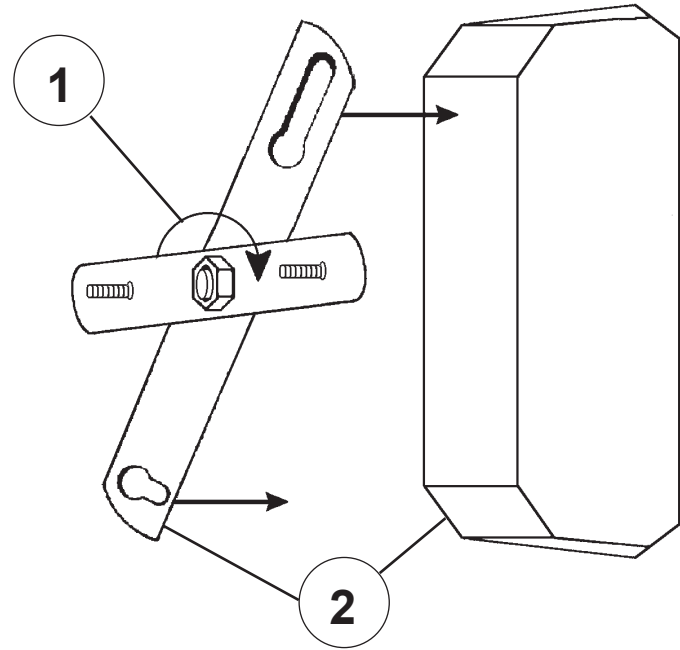


SCHONBEK®

MAX <u>60</u> W		110-120 V						

SCHONBEK® is a member of the Swarovski group.

All electrical components must be installed by a licensed electrician in accordance with the National Electric Code and the appropriate local electrical codes.







8

You will need 2 - B10
25 Watts Recommended
60 Watts Max

Install bulbs and be sure
to test fixture **BEFORE**
trimming.

