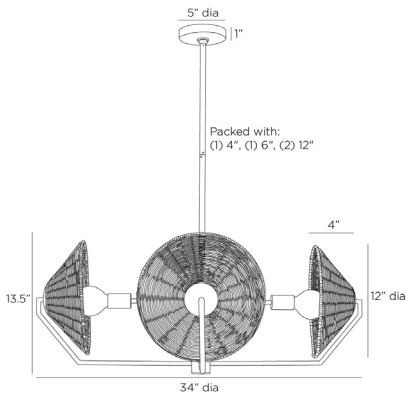


# ARTERIOS

## COLEMAN CHANDELIER



DMC23

H: 18.5 IN, Dia: 34.00 IN

Natural Rattan

Contract Suitable As Is

Contemporary silhouettes meet traditional materials. A quartet of umbrella shades in natural rattan are suspended with streamlined fixture plated in English bronze steel. Suspended from a sleek matching canopy, each reflective shape allows a play of light and shadow. Ideal for both a modern and coastal environment. Finish will vary.

### APPEARANCE

Material	Rattan, Steel
Finish	English Bronze
Finish Will Vary	true
Top Coat/Sealant	false

### DIMENSIONS

	12.00
Chandelier	H: 13.5 IN, Dia: 34.00 IN
Minimum Hanging Height	18.5 IN
Maximum Hanging Height	48.5 IN
Canopy	H: 1 IN, Dia: 5.00 IN

### WIRING

Rating	Damp
Suggested Bulb Type	G25
Cord	10 FT, Clear/Silver, SVT
Socket	4, Type A - E26
Photographed Bulb	3" Frosted Globe Bulb
Maximum Watt	60
Voltage	110-120 V

### COMPLIANCY

RoHS	true
------	------

### SHIPPING

Product Weight	9 LBS
Gross Weight 1	14.3 LBS
Shipping Box 1	H: 28 IN, L: 28 IN, W: 15 IN

### REPLACEMENT PARTS

Replacement Part 1	PIPE-240
Replacement Part 1 Dim	(1) 4", (1) 6", (1) 12"
Replacement Part 2	CANOPY-510
Replacement Part 2 Dim	1" x 5"

### CONTRACT

Contract Suitable	true
-------------------	------