

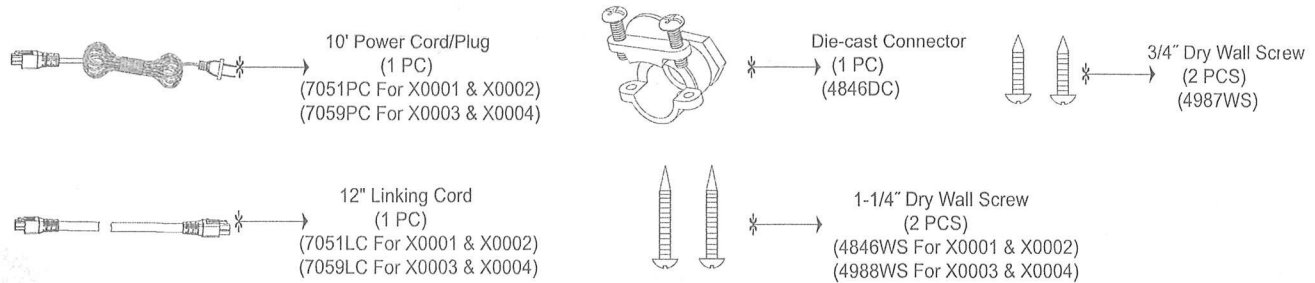
# ASSEMBLY AND INSTALLATION INSTRUCTIONS

X0001 / X0002 / X0003 / X0004

**WARNING: BE SURE TO SHUT OFF POWER AT THE MAIN FUSE OR CIRCUIT BREAKER BOX BEFORE INSTALLING OR SERVICING THIS FIXTURE.**

**NOTE: 1. Before installing, consult local electrical codes for wiring and grounding requirements.  
2. READ AND SAVE THESE INSTRUCTIONS.**

## Parts:



## Important to Know

1. Read all instructions carefully before installation and operation.
2. If you are not familiar with state and local electrical codes, it is recommended that you consult with a qualified electrician.
3. This fixture can only be used with LED cabinet lighting fixtures and accessories.
4. Can be expanded with up to 6 add-on tape lights with item number X0001 & X0003.  
(Can be expanded with up to 8 add-on tape lights with item number X0002 & X0004.)
5. Do not use in wet locations, use indoors only.
6. Non-replaceable LEDs.
7. LED light output is strong enough to injure human eyes. Precautions must be taken to prevent looking directly at the LEDs with unaided eyes for more than a few seconds.
8. Specification & Parameters:

NO.	Part No.:	Dimension(inch)			Maximum Watts
		A	B	C	
1	X0001	24	2.625	1	12 W
2	X0002	16	2.625	1	9 W
3	X0003	24	2.625	1	12 W
4	X0004	16	2.625	1	9 W

## Important safety instructions.

1. This LED cabinet light fixture has a polarized plug (one blade is wider than the other) as a feature to reduce the risk of electric shock. This plug will fit in a polarized outlet only one way. If the plug does not fit fully in the outlet, reverse the plug. If it still does not fit, contact a qualified electrician. Never use with an extension cord unless plug can be fully inserted. Do not alter the plug. Read entire installation procedure before you begin. Not to be used with a dimming circuit or any other electronically switched control.
2. Do not attempt to install fixture while plugging in.

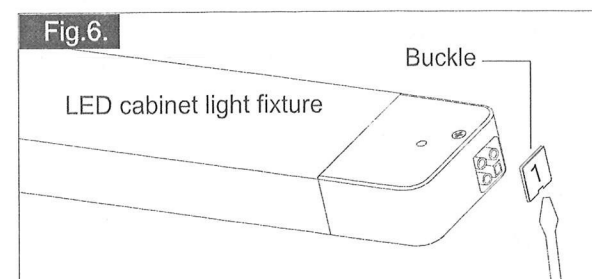
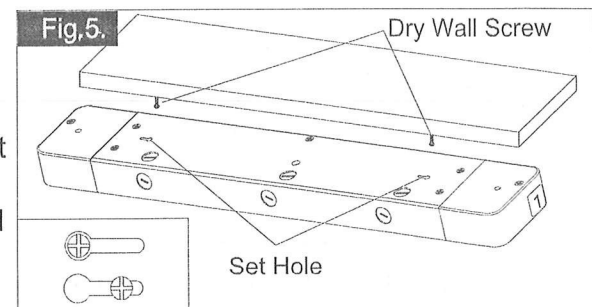
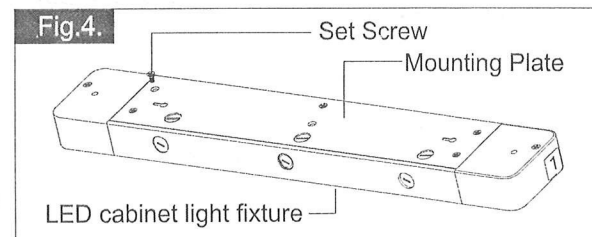
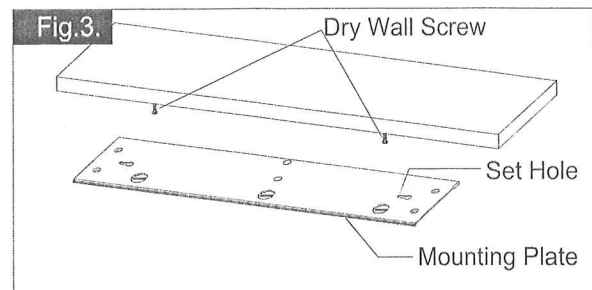
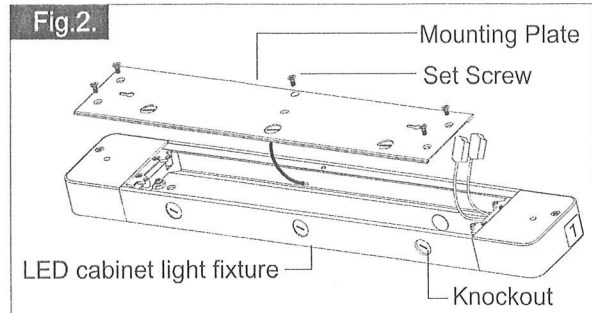
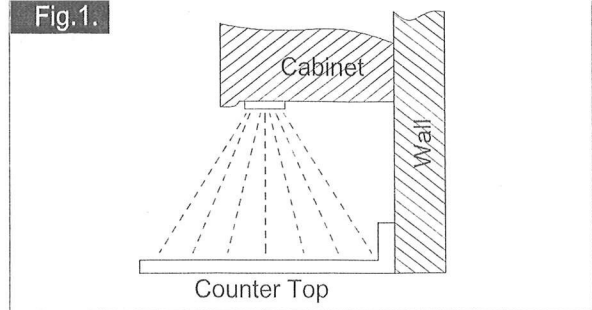
## Installation Steps

**This FIXTURE can be installed in one of two ways.**



## Installing the fixture onto cabinet with power cord/plug:

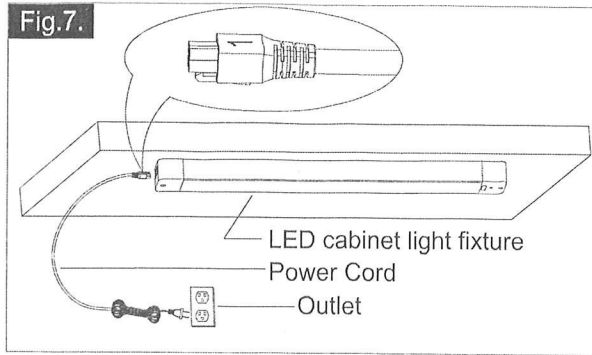
1. Turn OFF power to work area at main circuit breaker or fuse box.  
CAUTION: Do not rely on the wall switch alone to turn off power.
2. Determine the desired location for mounting first fixture in run. The mounting surface should be a minimum of 1/2" thick and approximately 5" clearance for linking cord should be allowed at both ends of fixture.
3. Carefully plan out your installation prior to actually securing your LED cabinet light fixture to the mounting surface. Make sure that you 10 ft. power cord/plug will reach the nearest electrician outlet. For kitchen installations, the recommended mounting for the cabinet light fixture is near the front lip of your kitchen under cabinets as shown in the illustration figure 1. This provides the best light distribution across a countertop.
4. Use suitable tools to unscrew the set screws from the LED cabinet light fixture and remove the mounting plate from the LED cabinet light fixture before installation. Once the mounting plate is free, remove it and set it aside. (See Figure.2)
5. Place the mounting plate to the mounting surface and mark the target on the mounting surface from the set hole for drilling two holes. Remove the mounting plate from the mounting surface. Pre-drill holes in the mounting surface. Secure the dry wall screws to the cabinet by phillips screwdriver. (Do not over tighten screws). Since mounting is via keyholes, the dry wall screw heads should protrude approximately 1/8" (3.2mm) beyond surface. (See Figure 3)
6. Restore the mounting plate back to the cabinet light fixture and secure it with set screws. (See Figure 4)
7. Attach the LED cabinet lighting fixture to the cabinet by inserting two dry wall screws heads into the key holes, and slide the LED cabinet lighting fixture until it locks in place. (See Figure.5)
8. Using a flathead screwdriver or other similar tool, pry off the plastic buckle (which is marked 1) that covers the input receptacle on the LED cabinet lighting fixture in order to insert the power cord. (See Figure.6)



9. Your power cord/plug (10 feet) has a polarized plug on one end. And a link connector ( which is marked 1) at the other end. The link connector plugs into the input receptacle ( has pried off the plastic buckle) on your cabinet light fixture. Plug the polarized plug into a 120VAC 60HZ outlet. (See Figure.7)

**NOTE: The link connector will only plug into one end correctly. Do not try to force it into the wrong receptacle as this could cause damage to the fixture.**

10. Turn on the power at the main fuse or circuit breaker box, the light is ready to use.

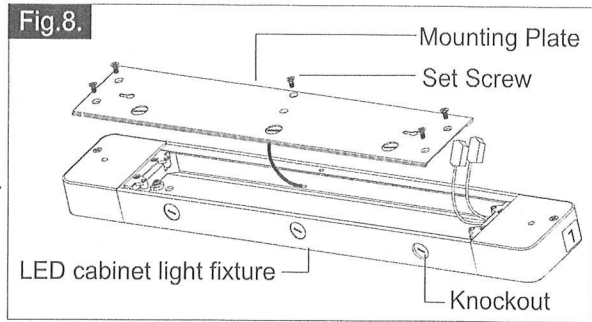


**Direct Wire Installation:**

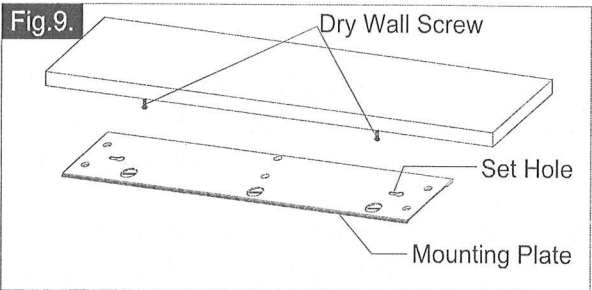
1. Turn OFF power to work area at main circuit breaker or fuse box.

CAUTION: Do not rely on the wall switch alone to turn off power.

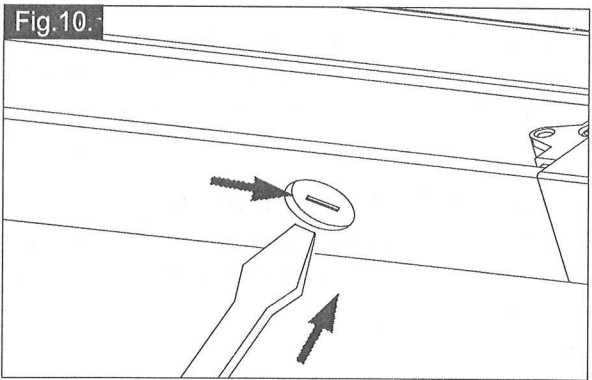
2. Use suitable tools to unscrew the set screws from the LED cabinet light fixture and remove the mounting plate from the LED cabinet light fixture before installation. Once the mounting plate is free, remove it and set it aside(See Figure.8)



3. Determine the desired location for mounting first fixture in run. The mounting surface should be a minimum of 1/2" thick and approximately 5" clearance for linking cord should be allowed at both ends of fixture.

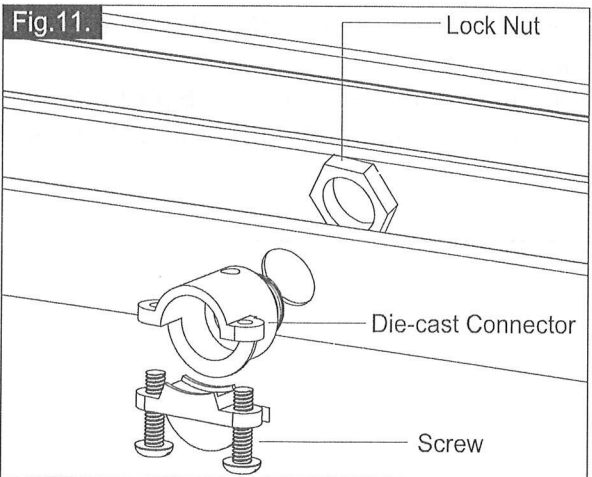


4. Place the mounting plate to the mounting surface and mark the target on the mounting surface from the set hole for drilling two holes. Remove the mounting plate from the mounting surface. Pre-drill holes in the mounting surface. Secure the dry wall screws to the cabinet by phillips screwdriver. (Do not over tighten screws). Since mounting is via keyholes, the dry wall screw heads should protrude approximately 1/8" (3.2mm) beyond surface. (See Figure 9).



5. Once you have determined the position the fixture will be mounted, mark the corresponding knockout closest to your supply wire feed and remove it.

**CAREFULLY REMOVE THE KNOCKOUT BY HAMMERING A FLATHEAD SCREWDRIVER OR PUNCH UNTIL THE SURFACE BREAKS.** If the knockout did not break free, use pliers and bend it back and fourth until it snaps off. (See Figure.10)



6. Attach the die-cast connector (included) by inserting the threaded end (from outside the fixture) through the knockout. Secure the die-cast connector (included) to the fixture's panel by tightening the lock nut. (See Figure.11)

7. Attach the conduit to the fixture with a die-cast connector, tighten the mounting screws on the die-cast connector so the conduit is gripped securely. Insert the cable through the die-cast connector so that at least 6" of cable extends inside the LED cabinet light fixture panel.

(See Figure.12)

8. Loosen the wire nut connected with the wire from the LED cabinet light fixture.

9. Take a white wire and black wire from the LED cabinet light fixture and make wire connections using connectors and wire nut: (See Figure.13)

---Connect the black wire from the fixture to the black wire from the power source by using connector.

---Connect the white wire from the fixture to the white wire from the power source by using connector.

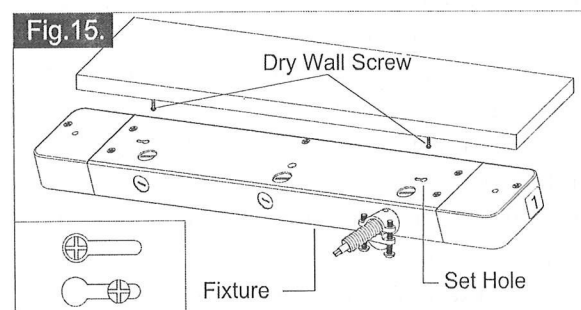
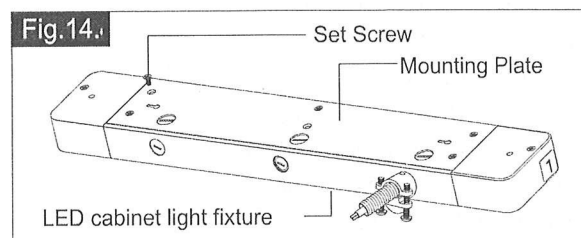
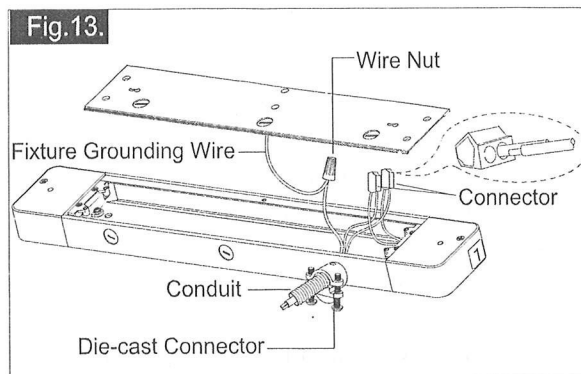
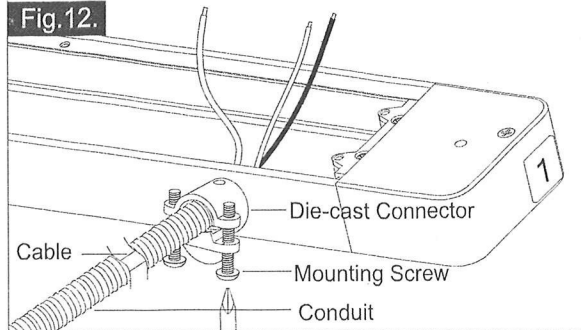
---Connect the fixture grounding wire to the house grounding wire from the power source by using wire nut.

Carefully put the wires back into the fixture body.

10. Restore the mounting plate back to the LED cabinet light fixture and secure it with set screws. (See Figure.14)

11. Attach the cabinet lighting fixture to the cabinet by inserting two dry wall screws heads into the key holes, and slide the LED cabinet lighting fixture until it locks in place. (See Figure.15)

12. Turn on the power at the main fuse or circuit breaker box. The light is ready to use.



### Connecting fixture to fixture:

LED cabinet lighting fixture units can be connected end-to-end by using the linking cord (12 inches) available separately.

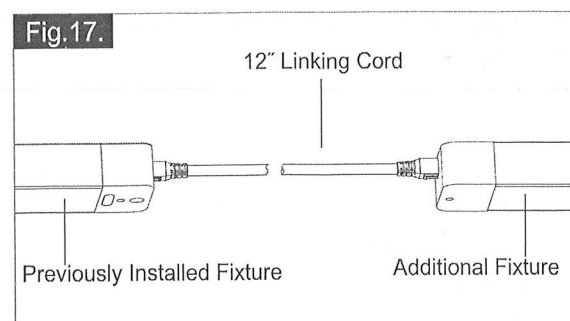
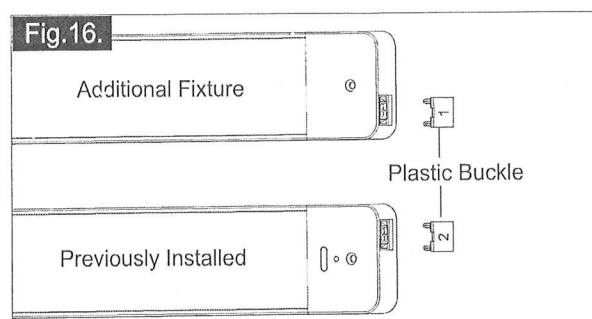
#### Note:

**a. Remove the plastic buckle (which is marked 2 on the previously installed fixture and which is marked 1 on the additional fixture) from LED cabinet lighting fixture before installing.**

(See Fig.16)

**b. Can be expanded with up to 6 add-on tape lights with item number X0001 & X0003.**

**(Can be expanded with up to 8 add-on tape lights with item number X0002 & X0004.)**



Each additional fixture (not included) should be mounted in the same way as the first installed fixture. Once installed, attach the linking cord (12 inches) between the first cabinet lighting fixture (previously installed) and the additional fixture.

---The link connector (marked 1) to the input receptacle (marked 1) of additional fixture.

---The link connector (marked 2) to the output receptacle (marked 2) of previously installed fixture.

Make sure the distance between cabinet lighting fixtures does not exceed the linking cord length. (See Fig.17)

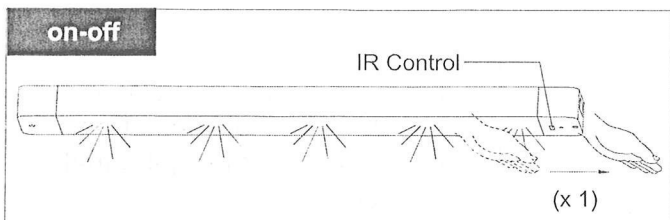
**NOTE: The linking cord will only plug into one end correctly. Do not try to force it into the wrong receptacle as this could cause damage to the fixture.**

## Synchronous control:

*When more than two lights are connected together, you can swing under the detection zone of any fixture, the other lights will be controlled synchronously.*

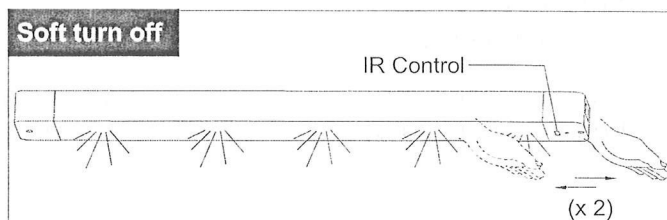
## Function and Operation

**on-off**



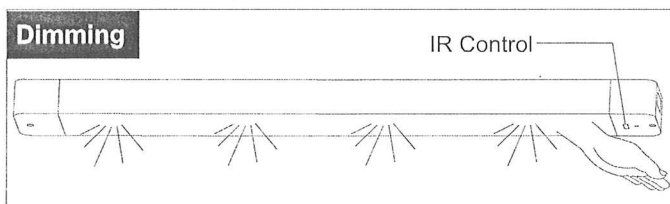
Turn on or turn off the light by instantly moving your hand under the detection zone. (within 3~4 inches distance from the light panel surface)

**Soft turn off**



Swing your hand across the detection zone back and forth one time, the LED indicator and LED cabinet lighting fixture will flash 2 times and then soft turn off within 1 minute.

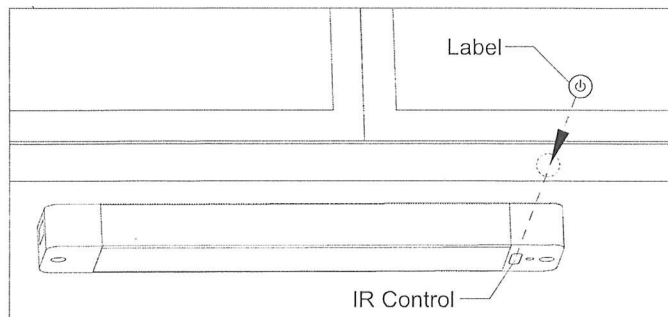
**Dimming**



Light will start to dim when your hand staying longer than 1 second in the detection zone, The light will lock in the brightness when the hand is removed from the detection zone. When the LED indicator flash 1 time, it means the ray of light reaches maximum value (100% brightness) or minimum value (30% brightness).

## Note:

1. This hardware package has a label. Please paste the label on the cabinet, in order to remind the position of the touch switch.



## Cleaning instructions

Your fixture is made from quality materials that will last for many years with minimum care. When cleaning, make sure you have unplugged your fixture, and have allowed sufficient time for the unit to cool to room temperature. You should clean the housing and lense using a damp soft cloth. You should plug your fixture back in only after the fixture has thoroughly dried.

## Trouble Shooting

minor problems often can be fixed without the help of an electrician. Before doing any work on the fixture, shut off power supply at the circuit breaker panel to avoid electrical shock.

PROBLEM	POSSIBLE CAUSE	CORRECTIVE ACTION
Light will not come ON	<ol style="list-style-type: none"><li>1. Power is off.</li><li>2. Bad plug connection.</li><li>3. Bad switch</li></ol>	<ol style="list-style-type: none"><li>1. Check if power supply is on.</li><li>2. Check power cord.</li><li>3. Test or replace switch.</li></ol>
Fuse blows or circuit breaker trips when light is turned on.	<ol style="list-style-type: none"><li>1. Discontinue use.</li></ol>	<ol style="list-style-type: none"><li>1. Call customer service.</li></ol>
The light adjustment brightness automatic	<ol style="list-style-type: none"><li>1. The IR control pointed toward a reflective material</li></ol>	<ol style="list-style-type: none"><li>1. Do NOT mount over water.</li><li>2. It is 20 inches distance from the counter to the light panel surface</li></ol>