

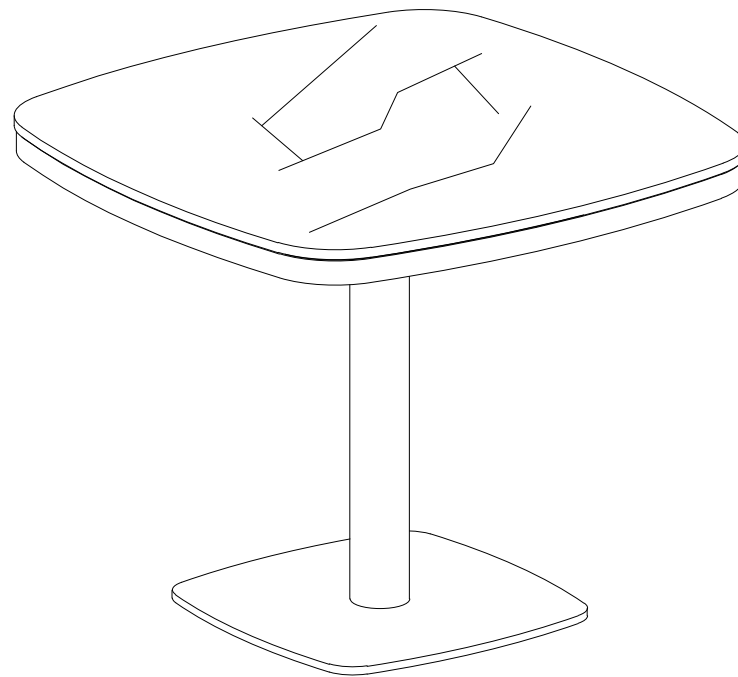
# MOE'S

home collection

## **ASSEMBLY INSTRUCTIONS.**









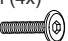

CELESTE CAFE TABLE

**JD-1067-16-0**



THANK YOU FOR YOUR PURCHASE!

# PARTS AND HARDWARE.

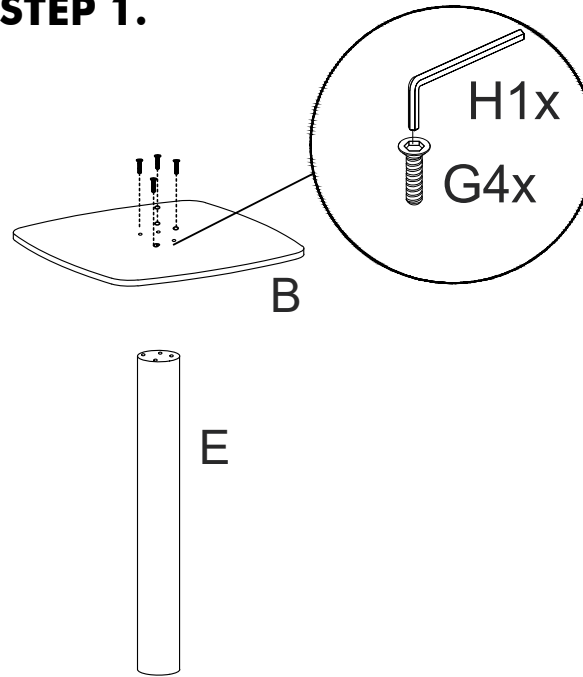
(A) Marble Top , 1x 	(B) Base plate, 1x 
(C) Frame, 1x 	(D) Top assembly plate (1x) 
(E) Mid-Base 	(F) Flat head Bolts 25x8mm, (4x) 
(G)CSK Bolts 25x8mm, (8x) 	(H)Allen key, 5mm, (1x) 
(I) Flat Head Bolts, 30x8mm (4x) 	(J) Washer 25x8mm ,4x 

## NOTES.

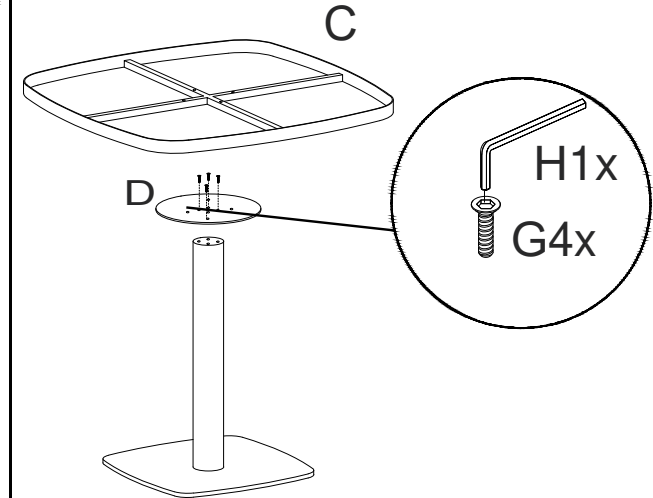
Thank you for purchasing this quality product! Be sure to check all packing material carefully for small part that may have come loose inside the carton during shipping.

**CAUTION:** The item is heavy, assembly should be performed by two people.

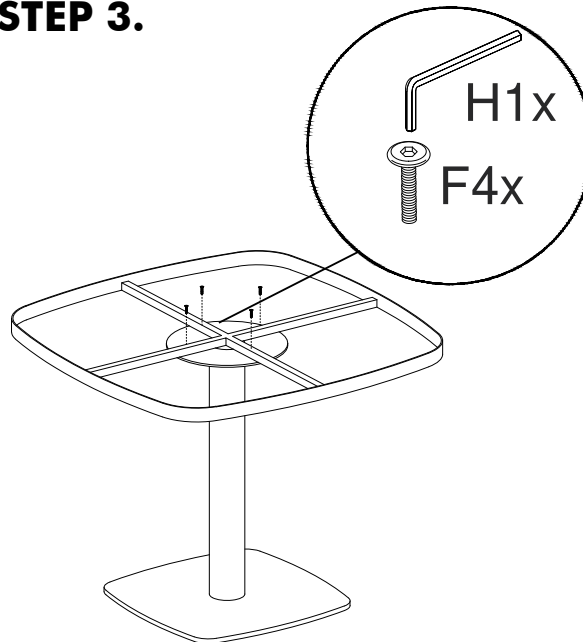
## STEP 1.



## STEP 2.



## STEP 3.



## STEP 4.

