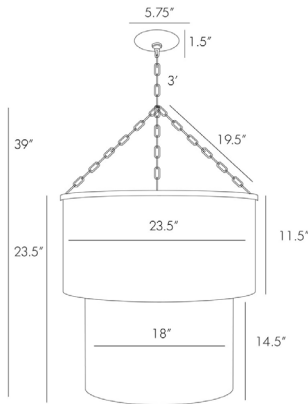


ARTERIOS

JAMES CHANDELIER



86782
 H: 39 IN, Dia: 23.50 IN
 Antique Nickel
 Contract Suitable As Is

This two tier, nine light chandelier is made of hundreds of antique nickel chains that beg to be touched. The movement of the chains is like fabric, and the effect in a room is more than dramatic. Finish may vary, and chains will continue to antique. Additional chain available (CHN-998).

APPEARANCE

Material Brass
 Finish Antique Nickel
 Top Coat/Sealant false
 Link Welded

DIMENSIONS

Chandelier H: 23.5 IN, Dia: 23.50 IN
 Minimum Hanging Height 39 IN
 Maximum Hanging Height 75 IN
 Canopy H: 1.5 IN, Dia: 5.75 IN

WIRING

Rating UL,EU,SA
 Indoor Only
 Cord 10 FT, Clear/Silver, SVT
 Socket 9, Type B=-E12 Other
 Maximum Watt 40
 Voltage 110-120 V

CERTIFICATIONS

Certifications Mexico
 United States, Canada

COMPLIANCY

UL/ETL Yes
 RoHS true

SHIPPING

Product Weight 35 LBS
 Gross Weight 1 52.5 LBS
 Shipping Box 1 H: 29 IN, L: 37 IN, W: 11 IN

ADDITIONAL INFO

Features Assembly Required

REPLACEMENT PARTS

Replacement Part 1 CHN-998
 Replacement Part 1 Dim 3'

CONTRACT

Contract Suitable true