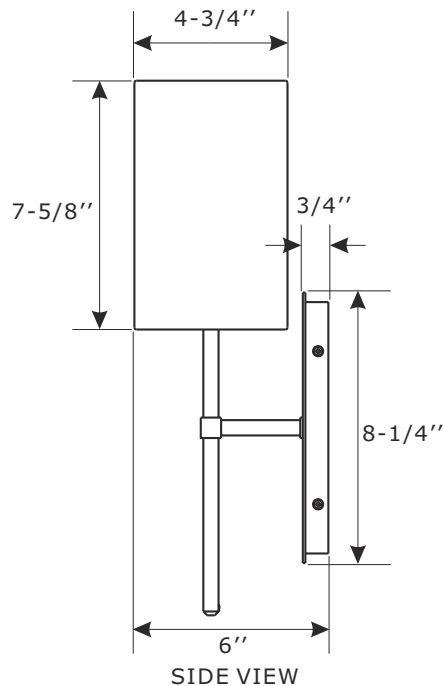
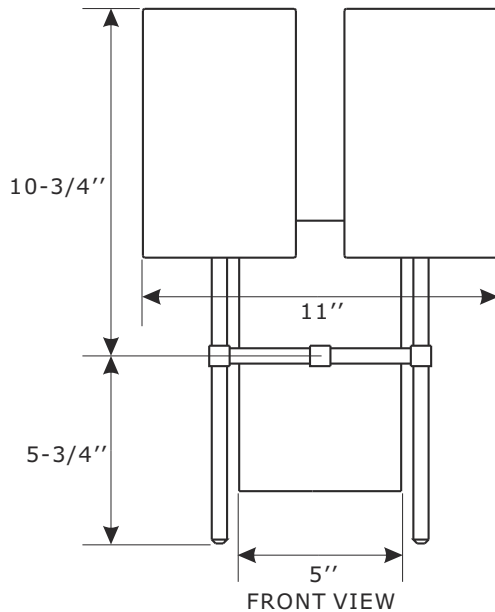


CRYSTORAMA

LIGHTING THE WAY FOR SIXTY YEARS

ASSEMBLY INSTRUCTION MODEL#VER-242-AG



All electrical components must be installed by a licensed electrician in accordance with the National Electric Code and the appropriate local electrical codes.



You will need 2- Candelabra Base Bulb
40 Watts Recommended 60 Watts Max.
USE LED BULBS FOR EXTENDED USE

How to install

1. First, remove screw from side of backplate and remove mounting plate.
2. Install the mounting plate to the outlet box using two screws.
3. Connect fixture wires to outlet box.
4. Mount the backplate over the mounting plate and then secure it with mounting screws
5. Install the fabric shade onto the candle sleeve.
6. Install the bulb into socket.

CRYSTORAMA

LIGHTING THE WAY FOR SIXTY YEARS

ASSEMBLY INSTRUCTION MODEL#VER-242-AG

Part Number

Part Numbers

- A. (1)-Mounting hardware
- B. (1)-MOUNTING PLATE
- C. (2)-OUTLET BOX SCREWS
- D. (2)-MOUNTING SCREWS
- E. (1)-BACKPLATE L8-1/4"xW5"xH3/4"
- F. (2)-CANDLE SLEEVE W7/8"xL2-1/4" #XRF241AGCDL2.25IN
- G. (2)-FABRIC SHADE #XRF241SHA7.6IN
- H. (2)-BULB (Not included)

