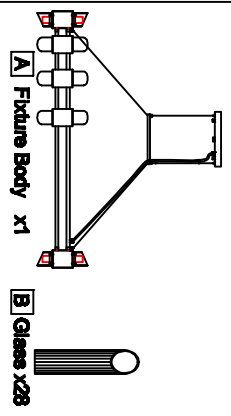


Assembly Instruction Sheet #IS-1269P39 For Style 1269P39

Tools Required: Flathead screwdriver, Phillips screwdriver, pliers, wire cutters, wire strippers, electrical tape, safety glasses.
Light Source: (2)3E12 MAX 60W (not included).
Estimated Assembly Time: 10-20 minutes
Preparation: Identify and inspect all parts before beginning installation. Check package content list and diagrams below to be sure all parts are present. If any parts are missing or damaged, do not attempt to assemble, install, or operate the fixture. Contact customer service for replacement parts.

Warnings and Cautions
 Turn off electricity at circuit breaker or main fuse box before installation. Consult a licensed electrician if in doubt. These instructions are provided for your safety. It is very important you read them completely before installing the fixture. We strongly recommend that a licensed, professional electrician perform the installation. Disconnect fixture from power source before replacing bulbs. Make sure bulbs are given sufficient time to cool before removal.

Package Contents



A Fixture Body x1 **B** Glass x28

Hardware Contents		
PART	DESCRIPTION	QUANTITY
BB	Wire nut	2pcs
CC	Screw	2pcs
BB		
CC		

STEP 1 - Release Crossbar from Ceiling Canopy.

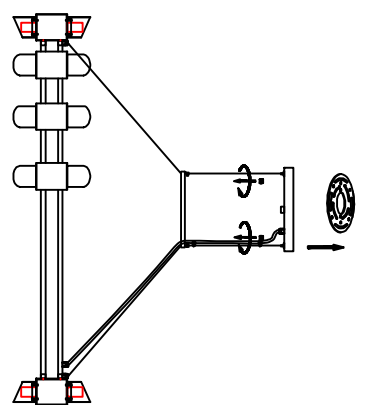


Figure 1

STEP 2 - Attach Crossbar to Outlet Box.
 A. Pass the supply wires through the Crossbar (EE). Attach the Crossbar (EE) to the Outlet Box (CC) with the head of the Green Ground Screw facing you. Secure it with Outlet Box Screws (not included). Tighten until snug.

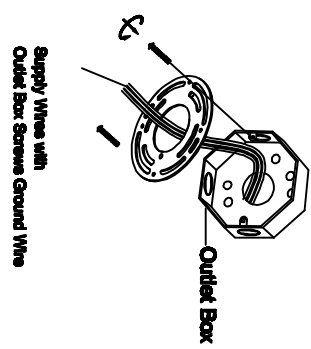


Figure 2

STEP 3 - Wire Connections
 A. Use standard wire connectors (not included) to make all wire connections. Twist connectors until wires are tightly joined together. Wrap each connection with approved electrical tape and carefully stuff all the connected wires into the Outlet Box.

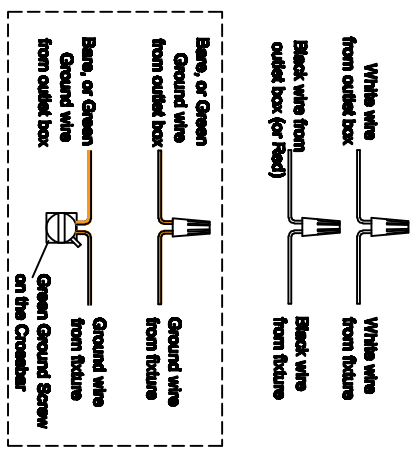


Figure 3

STEP 4 - Install Ceiling Canopy to Ceiling

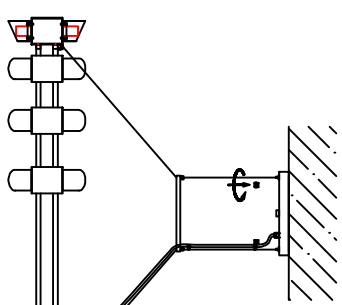


Figure 4

STEP 5 - Install Glass and bulb.

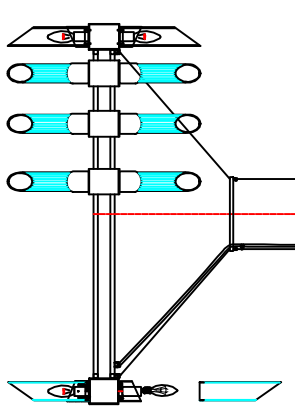


Figure 5

Installation glass as shown in the figure. The diagonal mouth to the outside. The glass can not be too tight.

Wire Length Adjustment

1, The locking pin is located at the metal canopy

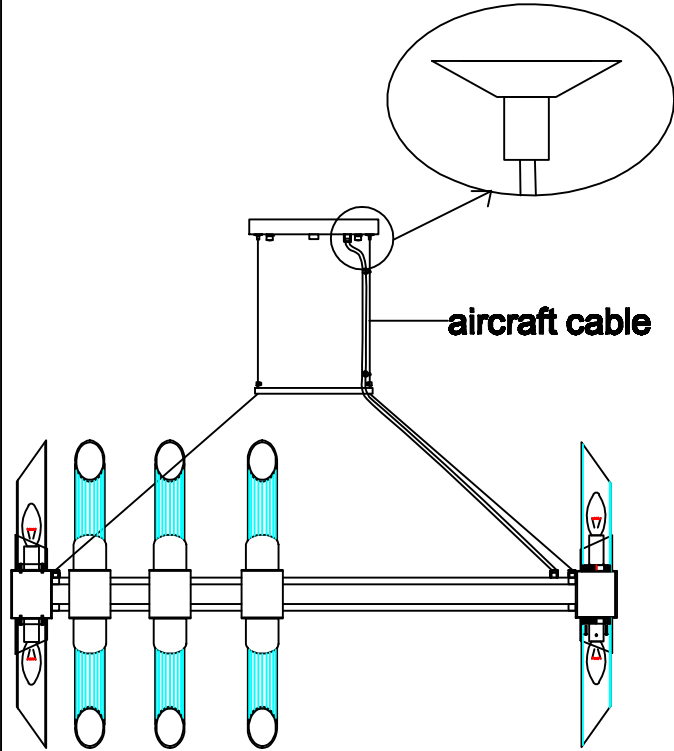


Figure 1

2, Locking pin

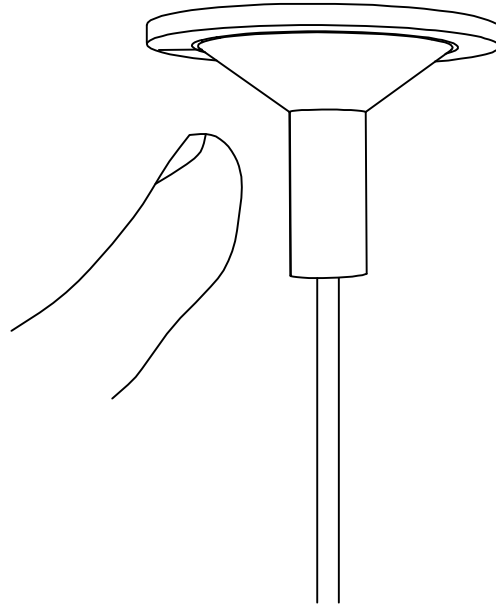


Figure 2

3, Long press the locking pin into the ceiling canopy, which will release the cable locking mechanism.

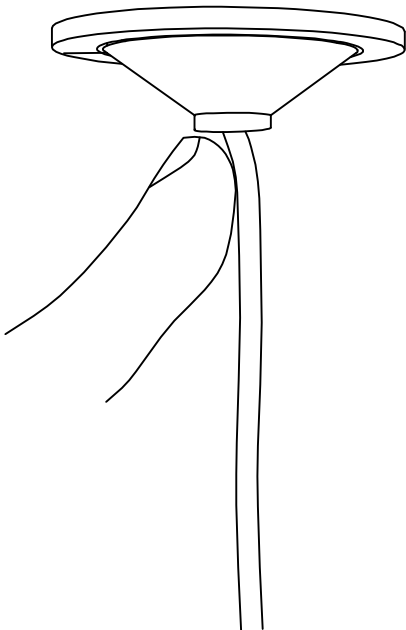


Figure 3

4, while holding the pin in place, simply pull down/push up the cable to adjust the height.

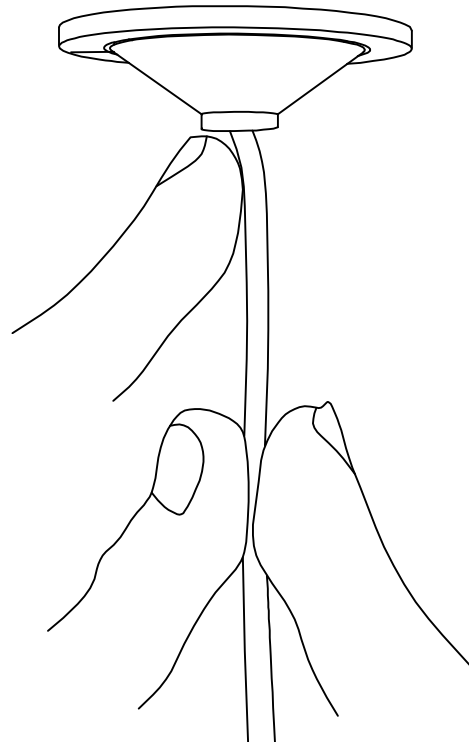


Figure 4