



# CAL LIGHTING

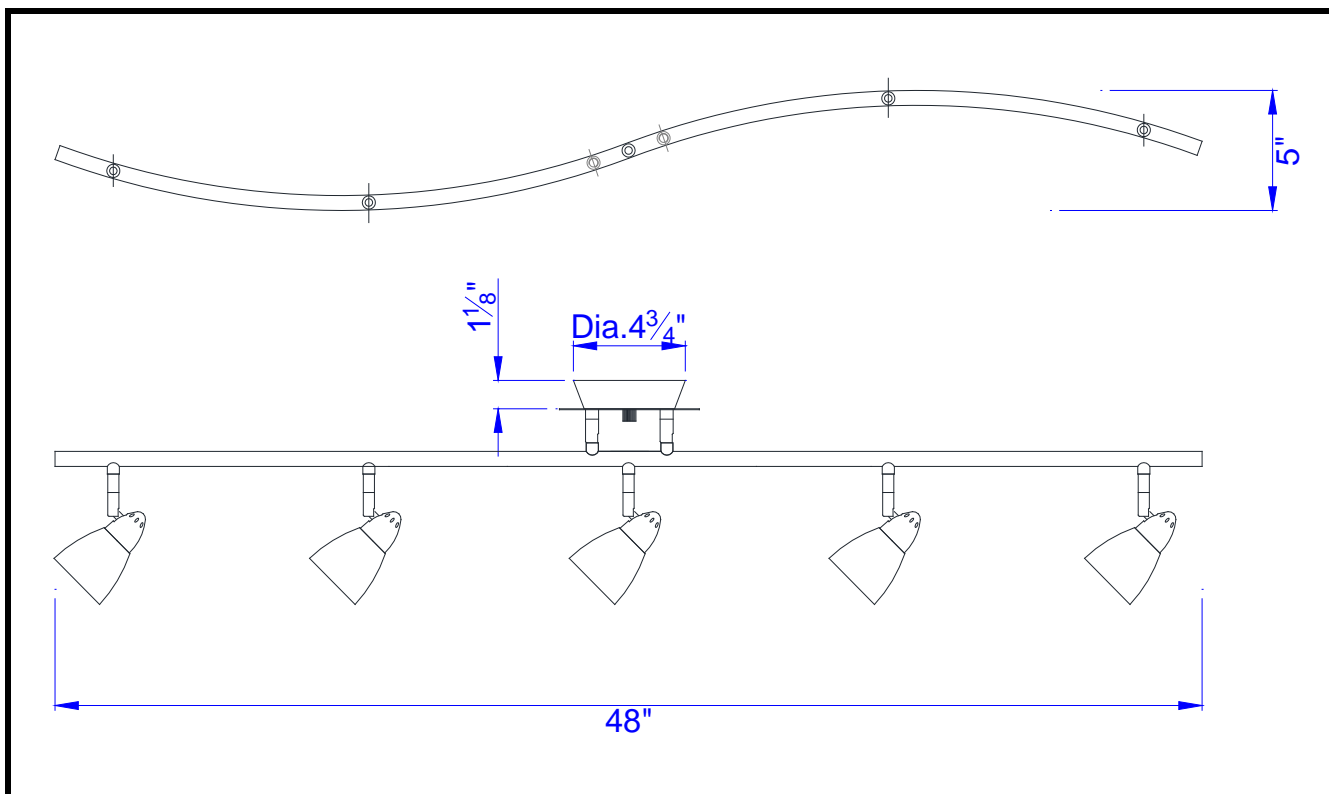
3625 E. Philadelphia St. Ontario CA. 91761 • Tel: 909.947.5200 • Fax:  
909.947.5673 • www.calighting.com • service@calighting.com •  
Specifications subject to change without notice

Type: \_\_\_\_\_

Project: \_\_\_\_\_

Catalog No.: \_\_\_\_\_

Lamp/Wattage: \_\_\_\_\_



**Model No. :** SL-735

**Rotation :** 180 degree

**Capability :** +90 degree from horizontal

**Finish :** RU (Rust)

**Width:** 120"

**Voltage :** 120V

**Wattage :** 40W (8Wx5)

**Shade:** Glass

**Dimming:** Dimmable

**CT"** 3300K (+/-100K)

**Lumen :** 650

**CRI :** 90

**FWHM :** 24 degree

**Rated Life :** 30,000 hours

**Warranty:** Three Years

**Certificate :**

