

METRIX Wall Sconce

120v : **3-541-xx**

277v : **37-541-xx**

oxygen

FIXTURE TYPE _____

LOCATION _____

PROJECT _____

DATE _____

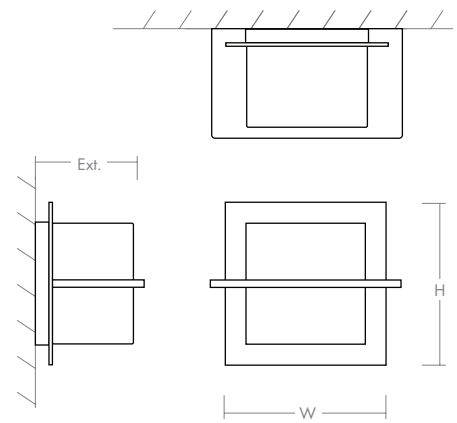


-20 Polished Nickel



-24 Satin Nickel

LIGHT SOURCE	1 x 8.2W LED, 3000K, CRI 90
LUMINAIRE POWER	10.5W at 120V
RATED LIFE	60000 hr RL
OPTIONAL COLOR TEMPERATURES	2700K, 3500K, 4000K
LUMEN OUTPUT	Delivered: 701 lm (LM-79)
INPUT VOLTAGE	120V or 277V
DRIVER OUTPUT	350 mA, 12W
DIMMING	0-10v & Phase (ELV) Dimming - 50/60Hz 100% to 10% Dimming
CONSTRUCTION	Plated Steel and Acrylic
DIFFUSER	- Matte White Acrylic
FINISHES	Polished Nickel (-20), Satin Nickel (-24)
MOUNTING	4" Octagonal J-Box*, 2"x 3" J-Box* *Deep J-box
STANDARDS	ETL Dry/Damp listed, ADA compliant, Conforms to UL STD 1598, Certified CAN/CSA, STD C22.2 No 250.0.



DIMENSIONS	
W:	6.75"
H:	5.75"
Ext:	3.90"
M.C:	2.90" From top of fixture

Order example for standard fixture:

3-541-24 (x- Voltage - xxx-Sequence # - xx-Finish)

3: 120v, 37: 277v

Order example for optional color temperatures: **3-541-2724**

27: 2700K, 35: 3500K, 40: 4000K

