

Please go to [www.quirzel.com](http://www.quirzel.com) for product cleaning tips. Go to the **Care + Maintenance** selection.

**Tools Required:** Flathead screwdriver, Phillips screwdriver, pliers, wire cutters, wire strippers, electrical tape, safety glasses.

**Light Source:** Integrated LED 33W

**Estimated Assembly Time:** 20-30 minutes

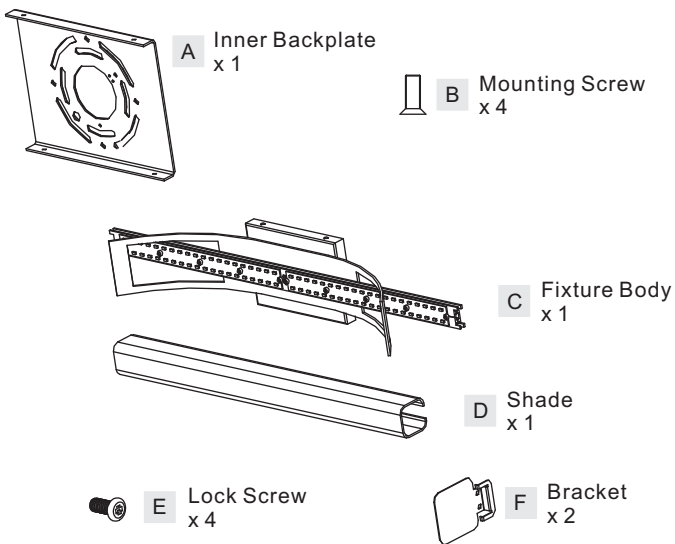
**Preparation:** Identify and inspect all parts before beginning installation. Check package content list and diagrams below to ensure all parts are present. If any parts are missing or damaged, do not attempt to assemble, install, or operate the fixture. Contact your original place of purchase.

### ⚠ Warnings and Cautions

Turn off electricity at circuit breaker or main fuse box before installation. Consult a licensed electrician if in doubt.

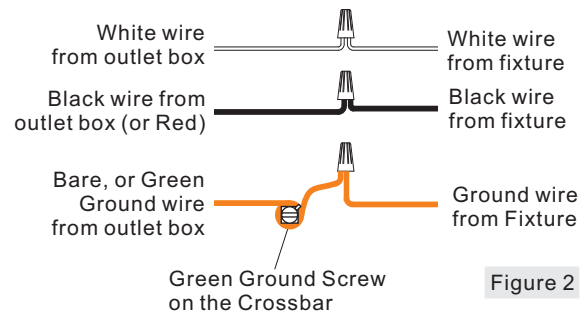
These instructions are provided for your safety. It is very important you read them completely before installing the fixture. We strongly recommend that a licensed, professional electrician perform the installation.

### Package Contents



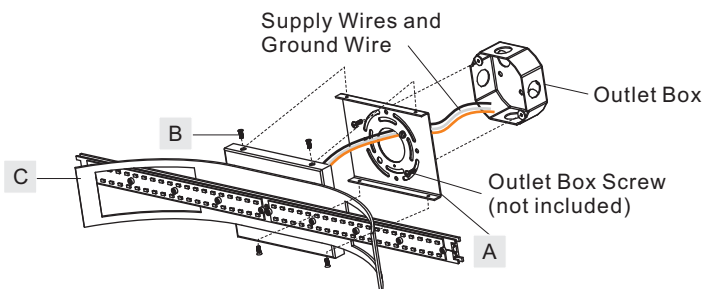
### STEP 2 - Wire Connections

- Wrap bare or green ground wire around green ground screw on the crossbar, no less than 2 inches from the end of the wire. Tighten the green ground screw.
- Use standard wire connectors (not included) to make all wire connections. Twist connectors until wires are tightly joined together. Wrap each connection with approved electrical tape and carefully stuff all the connected wires into the Outlet Box.



### STEP 1 - Install Inner Backplate and Fixture Body

- Pass the supply wires and ground wire through the Inner Backplate (A). Attach the Inner Backplate (A) to outlet box with the head of green ground screw facing you. Secure it with outlet box screws (not included). Tighten until snug.
- Refer to Step 2 for wiring connections.
- Attach the Fixture Body (C) over the Inner Backplate (A) and secure with Mounting Screws (B). Tighten until snug with screwdrivers.



### STEP 3 - Install Shade to Fixture Body

- Insert Shade (D) into the Shade Holder properly.
- Place Bracket (F) over the side of the Shade Holder, line up the hole on the Bracket (F) and the mounting hole on the Shade Holder, secure by threading Lock Screw (E) into the mounting hole, tighten until snug.

Your fixture is now assembled and ready to use. Enjoy!

