



CAL LIGHTING

3625 E. Philadelphia St. Ontario CA. 91761 • Tel: 909.947.5200 • Fax:
909.947.5673 • www.calighting.com • service@calighting.com •
Specifications subject to change without notice

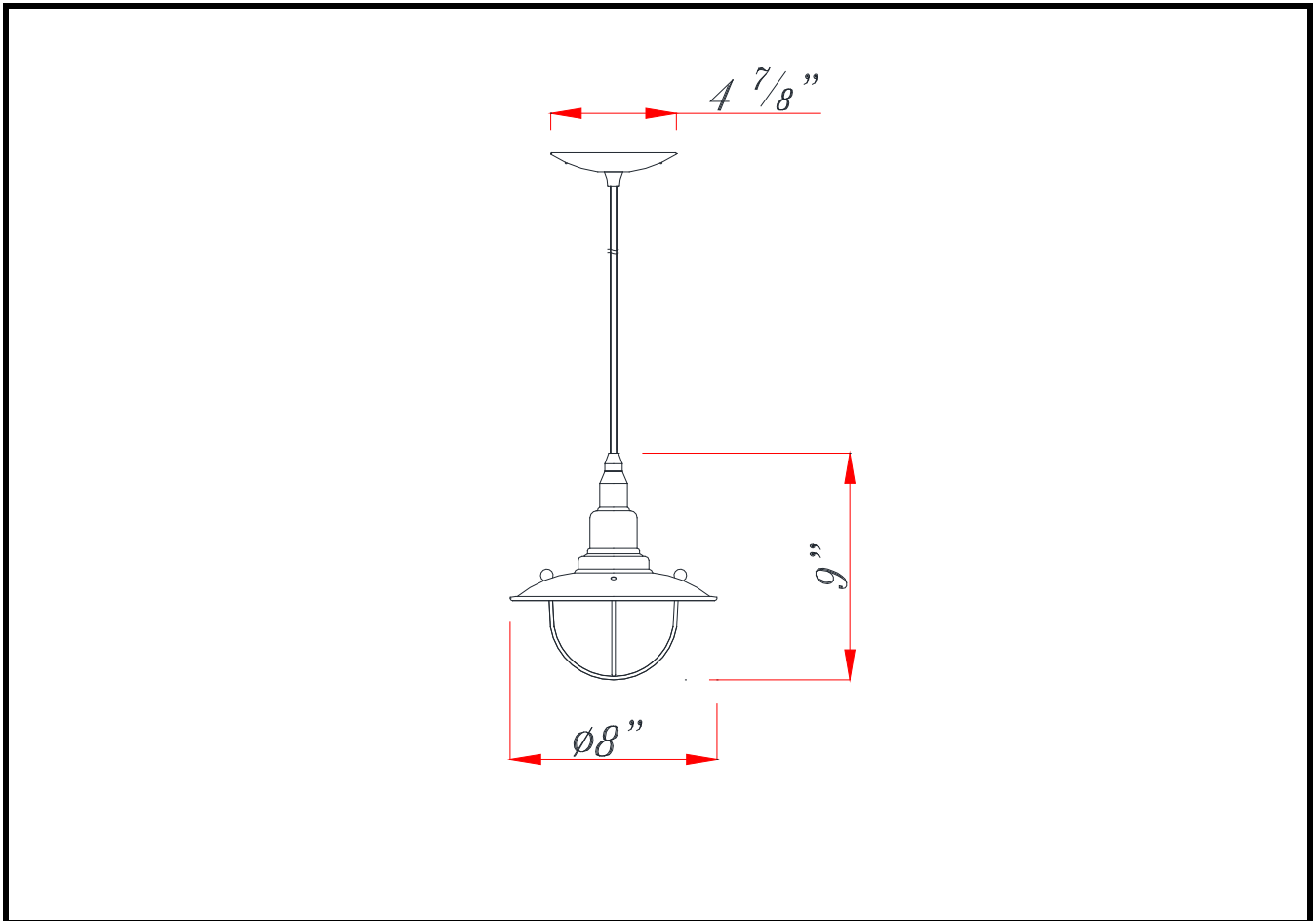
Type: _____

Project: _____

Catalog No.: _____

Lamp/Wattage: _____

Drawing:



- Model No:** UP-1113-6
- Description:** 60W Allentown metal pendant
- Material:** Metal
- Finish :** RU (Rust)
- Height:** 9"
- Width:** 8"
- Wattage :** 60W
- Socket :** Medium Base (E26)
- Bulb:** Incandescent
- Chain Length:**
- Wire Length:** 6'
- Wire Color:** Brown
- Canopy:** Dia. 4 7/8"
- Shade No:**
- Shade size:**

Certificate :

