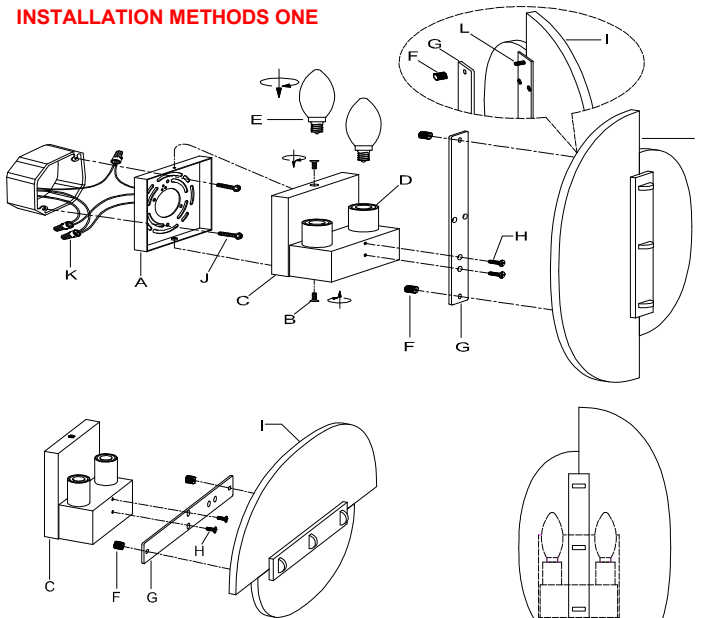


ASSEMBLY INSTRUCTIONS

ITEM DESCRIPTION:

ITEM NO.: DWC32	NAME: Kianna Sconce
MATERIAL TYPE: Alabaster	FINISH: White
SOCKET TYPE: E12	SOCKET QTY: 2
BULB WATTAGE: 60 W/13W CFL/8W LED	
VOLTAGE: 110-120 V	ITEM NET WEIGHT: 9.83LBS

INSTALLATION METHODS ONE



INSTALLATION METHODS TWO

INSTALLATION METHODS THREE

PARTS INCLUDED:

Mounting Plate (A)	Qty: 1 Pc	Thumb screw (F)	Qty: 2 Pcs
Canopy Screws (B)	Qty: 2 Pcs	Metal plate (G)	Qty: 1 Pc
Lamp Body (C)	Qty: 1 Pc	Screws (H)	Qty: 2 Pcs
Sockets (D)	Qty: 2 Pcs	Alabaster Panel (I)	Qty: 1 Pc
Bulb (not incl) (E)	Qty: 2 Pcs		

HARDWARE INCLUDED:

Mounting Screws (J)	Qty: 2 Pcs
Plastic Wire Connector (K)	Qty: 3 Pcs

TOOLS NEEDED (Not Included):

1 Screwdriver

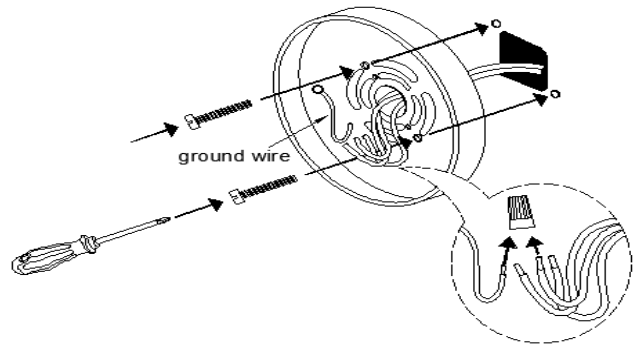
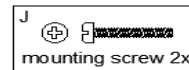
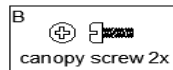
These instructions are provided for safety. It is very important that they are read carefully and completely before beginning installation.

We strongly suggest that all hard-wired fixtures must be installed by a professional electrician.



TO ASSEMBLE:

1. Shut off the main electrical supply from the main fuse box/circuit breaker.
2. Please be sure you have all parts indicated before you begin assembly.
3. Attach mounting plate to wall or junction box using mounting screws (J).
4. Connect ground wire from wall to ground wire from lamp using wire connector (K).
5. Attach house wire to lamp wires as shown. Fasten the pairs together with a wire caps. **DO NOT REVERSE THE HOT AND NEUTRAL CONNECTIONS OR SAFETY WILL BE COMPROMISED.**
6. Attach the lamp body(C) to mounting plate(A) by inserting set screws(B) through predrilled holes. Tighten using screwdriver.
7. Insert 2 type b 60w or/cfl 13w or/led 8w bulb (not included) (E) into the sockets (D). Do not exceed specified wattage.
8. Attached the metal plate (G) 2 holes to the lamp body (C), then tight screws (H) until tight. Attach the alabaster panel (I) to metal plate (G), then tight thumb screws (F) to secure the alabaster.
9. Restore power to the junction box and test fixture.



CARE INSTRUCTIONS:

Wipe with a soft, dry cloth. To protect finish, avoid the use of chemicals and household cleaners.

For customer service questions call 1-800-338-2150

ARTERIO RS